



FLORA COLLECTION (BOLLARD)

The FLORA COLLECTION outdoor bollards are inspired by natural harmony, combining functional design with sculptural presence. Their cylindrical shape recalls architectural columns or pedestals, allowing them to integrate seamlessly into outdoor environments. The form also suggests versatility, evoking the possibility of being used as a decorative element similar to a vase holder. Designed to blend with the landscape, they create a balanced interaction between light, structure, and nature.





MATERIAL:

BETALY®

LIGHTING:

LED

VOLTAGE:

110-277V

IP RATING:

IP65

APPLIANCE CLASS:

II/III

DRIVER POSITION:

Remote driver

WARRANTY:

5 years

MAIN FEATURES:

High visual comfort
Available in a wide range of finishes
Functional and minimalistic design
Operating Temperature: -104°F to +140°F.

PROJECT

SPEC TYPE

NOTES



WE WELCOME ALL CUSTOM ORDERS

Due to the dynamic nature of lighting products and the associated technologies, luminaire data on all specification sheets is subject to change at the discretion of Gordon Bullard LLC and associated companies.

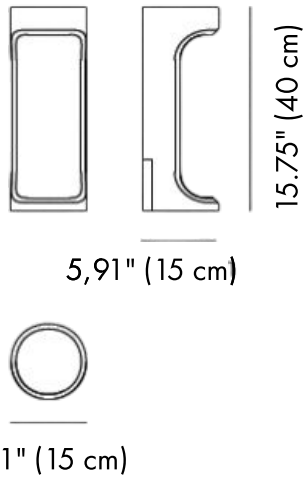
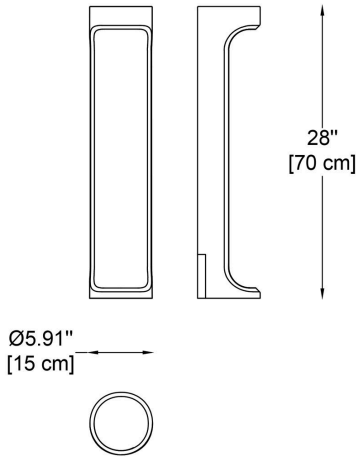


Contact Us:

sales@gordonbullard.com

www.byiba.com

1 877-964-4646



PROJECT

SPEC TYPE

NOTES

HOW TO ORDER:

Example:

CODE: BY-1126AB-9010-S-K22-DIM-392

BY-1126AB-9010-S-K22-DIM-392

1 MODELS:

-S

DIMENSIONS:

Height - H: 27,56" (70 cm)
Diameter - Ø: 5,91" (15 cm)

-M

DIMENSIONS:

Height - H: 15.75" (40 cm)
Diameter - Ø: 5,91" (15 cm)

2 LIGHT SOURCE:

LED / 4W / 110-277V / CRI 80

3 CCT&LUMENS:

-K22 2200K = 570 lm
-K27 2700K = 600 lm
-K30 3000K = 630 lm

4 DIMMING OPTIONS:

-DIM 0-10V
-LT Lutron
-CS Casambi
-DALI Dali
-NON NON-Dimmable

5 FINISH OPTIONS:

-392 White ●
-393 Green ●
-394 Corten ●
-395 Grey ●
-396 Black ●
-397 Sand ●



WE WELCOME ALL CUSTOM ORDERS

Due to the dynamic nature of lighting products and the associated technologies, luminaire data on all specification sheets is subject to change at the discretion of Gordon Bullard LLC and associated companies.

Contact Us:

sales@gordonbullard.com

www.byiba.com

1 877-964-4646