

BYIBA



L I G H T



CHARTA (BOLLARD)

The CHARTA is an outdoor pathmarker inspired by a simple gesture, like folding a sheet of paper to create a protective form around the light source. Its design forms a soft “mantle” that rests on the ground, concealing the light while allowing it to diffuse gently outward. This creates an enveloping and atmospheric glow that enhances outdoor spaces with subtle elegance. Ideal for gardens, terraces, and pathways, it combines minimalist aesthetics with a poetic approach to lighting design.



	 	<p>MATERIAL: BETALY®</p> <p>LIGHTING: LED</p> <p>VOLTAGE: 110-277V</p> <p>IP RATING: IP65</p> <p>APPLIANCE CLASS: III</p> <p>DRIVER POSITION: Remote driver</p> <p>WARRANTY: 5 years</p> <p>MAIN FEATURES: High visual comfort Available in a wide range of finishes Functional and minimalistic design Operating Temperature: -104°F to +140°F.</p>
<p>PROJECT</p>		
<p>SPEC TYPE</p>		
<p>NOTES</p>		



WE WELCOME ALL CUSTOM ORDERS

Due to the dynamic nature of lighting products and the associated technologies, luminaire data on all specification sheets is subject to change at the discretion of Gordon Bullard LLC and associated companies.

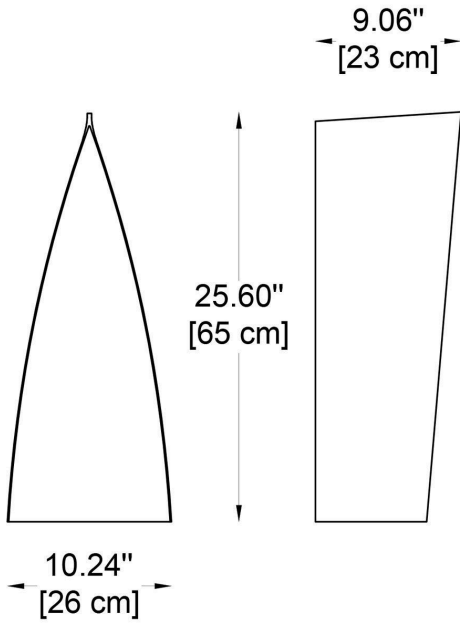
©2026 All Rights Reserved

WWW.BYIBA.COM



Contact Us:
sales@gordonbullard.com
www.byiba.com
1 877-964-4646

Updated 03/24/2026



HOW TO ORDER:

Example:

CODE: BY-1120-9010-K22-DIM-392

BY-1120-9010-
K22-DIM-392

1 DIMENSIONS:

Height - H: 25.60" (65 cm)
Length - L: 10.24" (26 cm)
Width - W: 9.06" (23 cm)

2 LIGHT SOURCE:

LED / 4.5W / 110-277V / CRI 80

3 CCT&LUMENS:

-K22 2200K = 605 lm
-K27 2700K = 635 lm
-K30 3000K = 670 lm

4 DIMMING OPTIONS:

-DIM 0-10V
-LT Lutron
-CS Casambi
-DALI Dali
-NON NON-Dimmable

5 FINISH OPTIONS:

-392 White ●
-393 Green ●
-394 Corten ●
-395 Grey ●
-396 Black ●
-397 Sand ●

PROJECT

SPEC TYPE

NOTES



WE WELCOME ALL CUSTOM ORDERS

Due to the dynamic nature of lighting products and the associated technologies, luminaire data on all specification sheets is subject to change at the discretion of Gordon Bullard LLC and associated companies.

Contact Us:

sales@gordonbullard.com

www.byiba.com

1 877-964-4646