

BYIBA
L I G H T



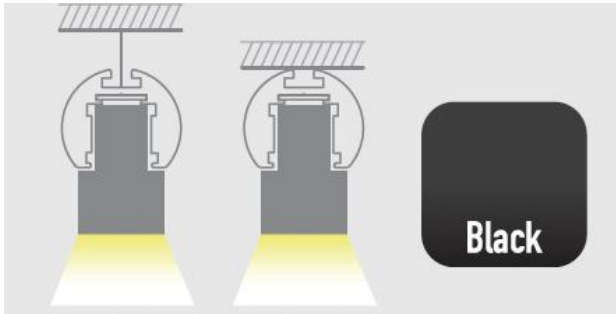
NEON
(magnetic track system)

BY-TLSR-NMT

PROJECT

SPEC TYPE

NOTES



GENERAL INFORMATION:

Neon track is available as suspended and surface-mounted versions, the track can rotate horizontally, and the system also offers the option of different linear modules include diffuser, prismatic, in addition, spotlight, downlight and neon strip. These modules can be combined freely for different applications, at the same time, the track and the neon strip module can be creatively matched to achieve various rich stylings. The track system is operated with 48VDC, 1.18" (30 mm) diameter, small and exquisite.

MATERIAL:

Metal

FINISHING:

Black

LIGHTING:

LED

INPUT VOLTAGE:

48VDC

IP RATING:

20

MAXIMUM LOAD:

350W

PROFILES FINISH OPTION:

Black

MODULES FINISH OPTION:

Black

WWW.BYIBA.COM

TECHNICAL

OUTDOOR

DECORATIVE



WE WELCOME ALL CUSTOM ORDERS

CONTACT US:

sales@gordonbullard.com
www.byiba.com
1 877-964-4646

PROJECT

SPEC TYPE

NOTES

HOW TO ORDER:

CODE:

Example:

CODE FOR TRACK: BY-TLSR-NMT-SC-01-100P

CODE FOR TRACK HEAD: M20S-30-K27-B24-LU

CODE FOR ACCESSORIES: PN-D-TLS-R893-CL21-TLS-R861 / PN-D

BY-TLSR-NMT-SC-01-100P

1 INSTALLATION TYPE:

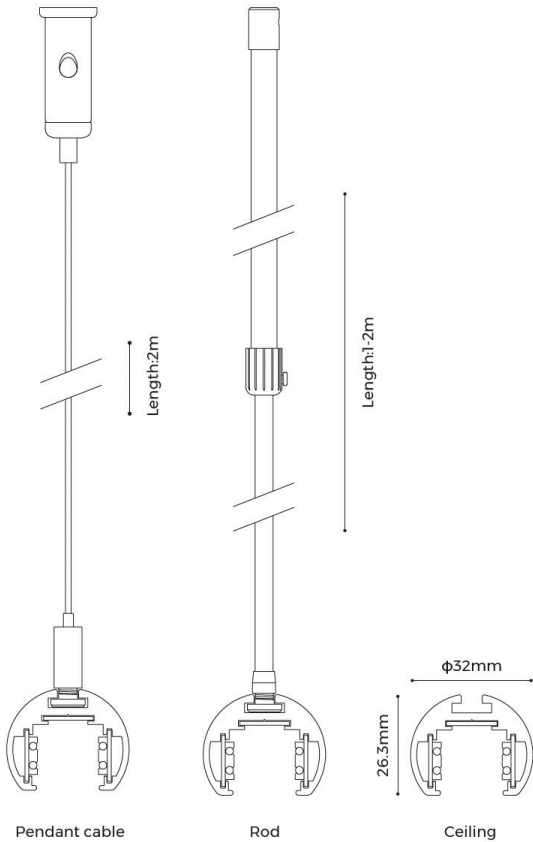
- SC Suspension with pendant cable
- SR Suspension with rod
- SM Surface-Mounted

2 DIMENSIONS:

- 01 A) Diameter - Ø: 1.20" (3 cm)
B) Length - H: 39.4" (100 cm)
- 02 A) Diameter - Ø: 1.20" (3 cm)
B) Length - H: 78.7" (200 cm)
- 03 A) Diameter - Ø: 1.20" (3 cm)
B) Length - H: 118" (300 cm)

3 POWER SUPPLY:

- 100P 100W
- 150P 150W
- 250P 250W



WWW.BYIBA.COM

TECHNICAL

OUTDOOR

DECORATIVE



WE WELCOME ALL CUSTOM ORDERS

CONTACT US:

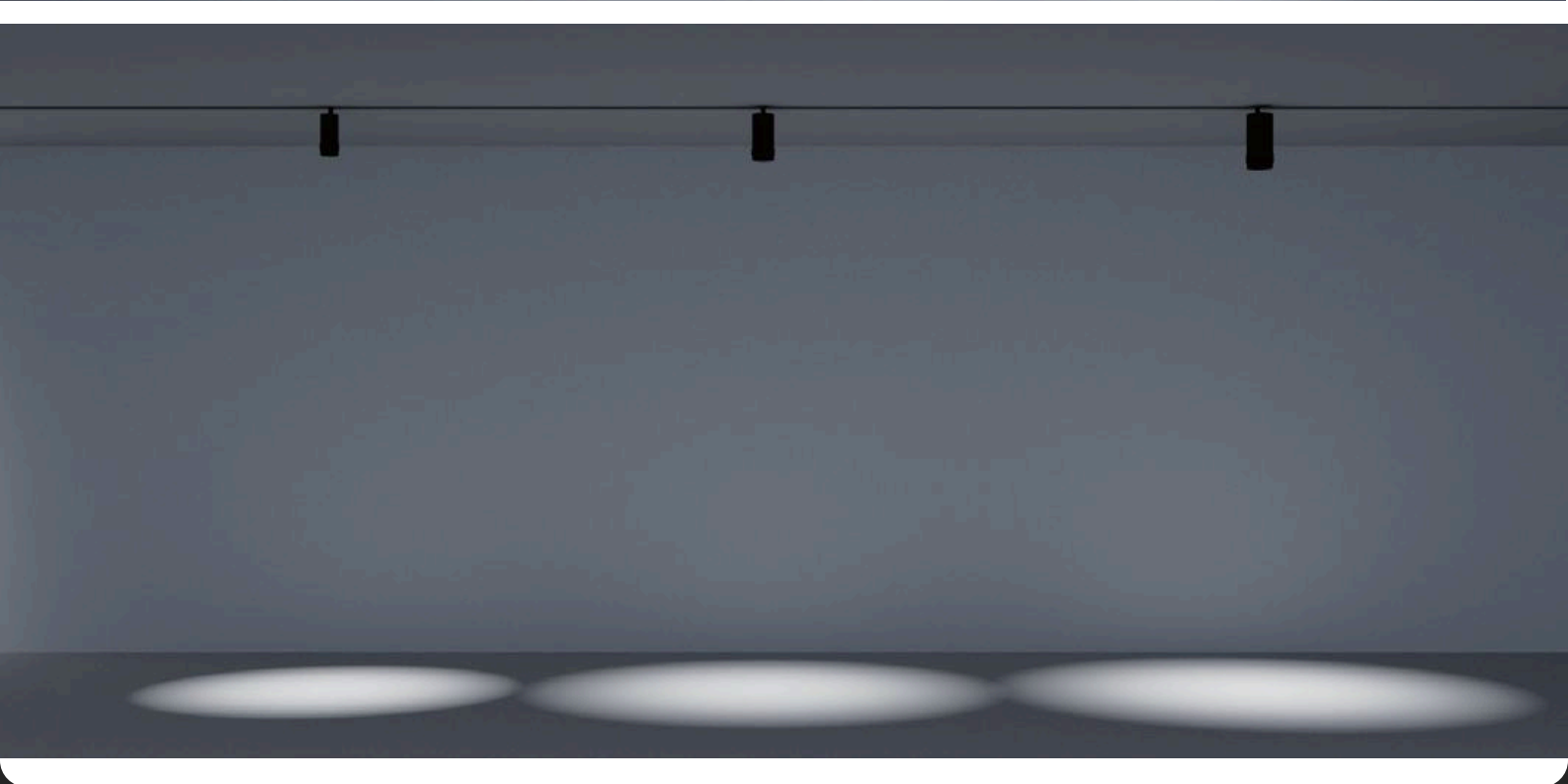
sales@gordonbullard.com

www.byiba.com

1 877-964-4646

SPOTLIGHTS MODULES

CODE:



WWW.BYIBA.COM

- TECHNICAL
- OUTDOOR
- DECORATIVE



WE WELCOME ALL CUSTOM ORDERS

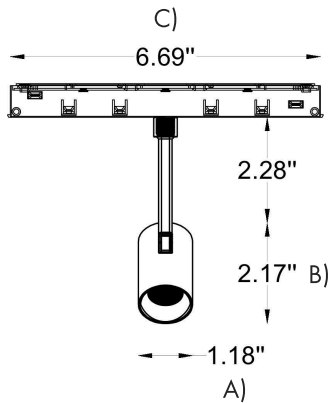
CONTACT US:

sales@gordonbullard.com
www.byiba.com
1 877-964-4646

PROJECT

SPEC TYPE

NOTES



LED 48 VDC IP20 LUTRON CASAMBI

90° 355°

HOW TO ORDER:

CODE:

Example:
 CODE FOR TRACK: BY-TLSR-NMT-SC-01-100P
 CODE FOR TRACK HEAD: M20S-30-K27-B24-LU
 CODE FOR ACCESSORIES: PN-D-TLS-R893-CL21-TLS-R861 / PN-D

M20S-30-K27-B24-LU

4 CHOOSE TRACK HEAD:

GENERAL INFORMATION

CODE - **-M20S-30**

Dimensions: A) Diameter - Ø: 1.18" (3 cm)
 B) Height - H: 2.17" (5,5 cm)
 C) Length - L: 6,7" (17 cm)

Diffuser: Lens
 Luminous flux: 225 lm
 Typ. power: 3W

CCT: **-K27** 2700K
-K30 3000K
-K40 4000K

CRI: >90

Beam Angle: **-B24** 24°
-B36 36°

Input voltage: 48VDC

Dimming: **-NON** Non-Dimmable
-DL Dali
-LU Lutron
-CA Casambi

Coating: Black
 IP rating: IP20
 Color tolerance: SDCM < 3 step
 Installation: Track mounted
 Warranty: 3 years

Operating temperature range - -20 to +40°C
 Maintenance of lumen - L80 - 50 000 hours at 25 °C

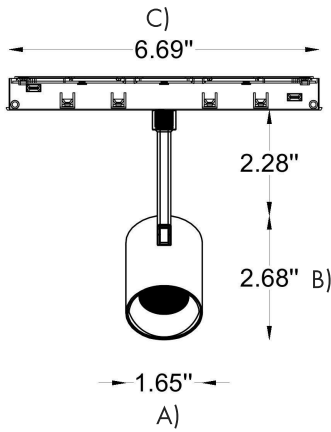
- TECHNICAL
- OUTDOOR
- DECORATIVE



PROJECT

SPEC TYPE

NOTES



LED 48 VDC IP20 LUTRON CASAMBI

90° 355°

HOW TO ORDER:

CODE:

Example:
 CODE FOR TRACK: BY-TLSR-NMT-SC-01-100P
 CODE FOR TRACK HEAD: M20S-30-K27-B24-LU
 CODE FOR ACCESSORIES: PN-D-TLS-R893-CL21-TLS-R861 / PN-D

M20S-30-K27-B24-LU

4 CHOOSE TRACK HEAD:

GENERAL INFORMATION

CODE - -M20S-42
 Dimensions: A) Diameter - Ø: 1.65" (4.2 cm)
 B) Height - H: 2,68" (6,8 cm)
 C) Length - L: 6,7" (17 cm)

Diffuser: Lens
 Luminous flux: 500 lm
 Typ. power: 6W

CCT: -K27 2700K
 -K30 3000K
 -K40 4000K

CRI: >90

Beam Angle: -B24 24°
 -B36 36°

Input voltage: 48VDC

Dimming: -NON Non-Dimmable
 -DL Dali
 -LU Lutron
 -CA Casambi

Coating: Black
 IP rating: IP20
 Color tolerance: SDCM < 3 step
 Installation: Track mounted
 Warranty: 3 years

Operating temperature range - -20 to +40°C
 Maintenance of lumen - L80 - 50 000 hours at 25 °C

* The above parameters are based on Ra90, 4000K light source.

WWW.BULLARDCOLLECTION.COM

- TECHNICAL
- OUTDOOR
- DECORATIVE



CONTACT US:

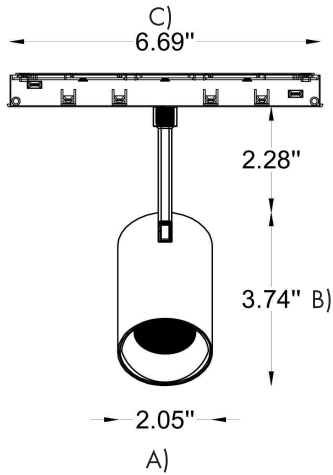
sales@gordonbullard.com
 www.byiba.com
 1 877-964-4646

WE WELCOME ALL CUSTOM ORDERS

PROJECT

SPEC TYPE

NOTES



LED 48 VDC IP20 LUTRON CASAMBI

90° 355°

HOW TO ORDER:

CODE:

Example:
 CODE FOR TRACK: BY-TLSR-NMT-SC-01-100P
 CODE FOR TRACK HEAD: M20S-30-K27-B24-LU
 CODE FOR ACCESSORIES: PN-D-TLS-R893-CL21-TLS-R861 / PN-D

M20S-30-K27-B24-LU

4 CHOOSE TRACK HEAD:

GENERAL INFORMATION

CODE - **-M20S-52**

Dimensions: A) Diameter - Ø: 2.05" (5.21 cm)
 B) Height - H: 3,74" (9,5 cm)
 C) Length - L: 6,7" (17 cm)

Diffuser: Lens
 Luminous flux: 820 lm
 Typ. power: 10W

CCT: **-K27** 2700K
-K30 3000K
-K40 4000K

CRI: >90

Beam Angle: **-B24** 24°
-B36 36°

Input voltage: 48VDC

Dimming: **-NON** Non-Dimmable
-DL Dali
-LU Lutron
-CA Casambi

Coating: Black
 IP rating: IP20
 Color tolerance: SDCM < 3 step
 Installation: Track mounted
 Warranty: 3 years

Operating temperature range - -20 to +40°C
 Maintenance of lumen - L80 - 50 000 hours at 25 °C

* The above parameters are based on Ra90, 4000K light source.

WWW.BULLARDCOLLECTION.COM

- TECHNICAL
- OUTDOOR
- DECORATIVE



CONTACT US:

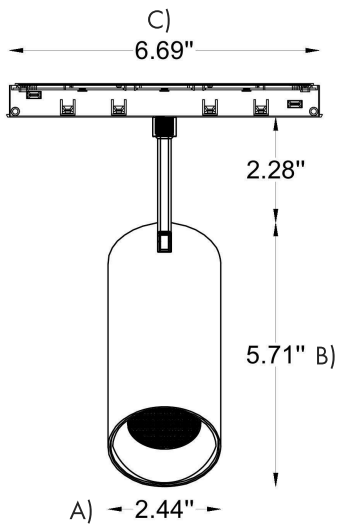
sales@gordonbullard.com
www.byiba.com
 1 877-964-4646

WE WELCOME ALL CUSTOM ORDERS

PROJECT

SPEC TYPE

NOTES



LED 48 VDC IP20 LUTRON CASAMBI

90° 355°

HOW TO ORDER:

CODE:

Example:
 CODE FOR TRACK: BY-TLSR-NMT-SC-01-100P
 CODE FOR TRACK HEAD: M20S-30-K27-B24-LU
 CODE FOR ACCESSORIES: PN-D-TLS-R893-CL21-TLS-R861 / PN-D

M20S-30-K27-B24-LU

4 CHOOSE TRACK HEAD:

GENERAL INFORMATION

CODE - **-M20S-62**

Dimensions: A) Diameter - Ø: 2.44" (6.2 cm)
 B) Height - H: 5.71" (14.5 cm)
 C) Length - L: 6.7" (17 cm)

Diffuser: Lens
 Luminous flux: 1200 lm
 Typ. power: 15W

CCT: **-K27** 2700K
-K30 3000K
-K40 4000K

CRI: >90

Beam Angle: **-B15** 15°
-B24 24°
-B36 36°

Input voltage: 48VDC

Dimming: **-NON** Non-Dimmable
-DL Dali
-LU Lutron
-CA Casambi

Coating: Black
 IP rating: IP20
 Color tolerance: SDCM < 5 step
 Installation: Track mounted
 Warranty: 3 years

Operating temperature range - -20 to +40°C
 Maintenance of lumen - L80 - 50 000 hours at 25 °C

* The above parameters are based on Ra90, 4000K light source.

WWW.BULLARDCOLLECTION.COM

- TECHNICAL
- OUTDOOR
- DECORATIVE



CONTACT US:

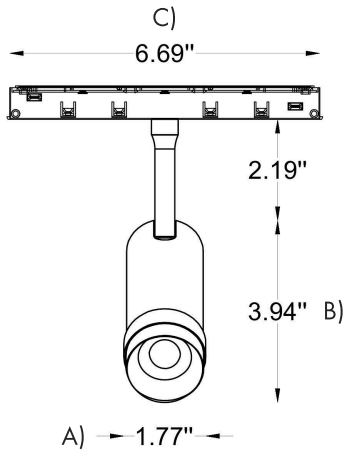
sales@gordonbullard.com
www.byiba.com
 1 877-964-4646

WE WELCOME ALL CUSTOM ORDERS

PROJECT

SPEC TYPE

NOTES



LED 48 VDC IP20 LUTRON CASAMBI

90° 355°

HOW TO ORDER:

CODE:

Example:
 CODE FOR TRACK: BY-TLSR-NMT-SC-01-100P
 CODE FOR TRACK HEAD: M20S-30-K27-B24-LU
 CODE FOR ACCESSORIES: PN-D-TLS-R893-CL21-TLS-R861 / PN-D

M20S-30-K27-B24-LU

4 CHOOSE TRACK HEAD:

GENERAL INFORMATION

CODE - **-M20SZ-45**

Dimensions: A) Diameter - Ø: 1.77" (4.5 cm)
 B) Height - H: 3,94" (10 cm)
 C) Length - L: 6,7" (17 cm)

Diffuser: Lens
 Luminous flux: 250 lm
 Typ. power: 5W

| | | | |
|------|------|-------|--------------------------|
| CCT: | -K27 | 2700K | <input type="checkbox"/> |
| | -K30 | 3000K | <input type="checkbox"/> |
| | -K40 | 4000K | <input type="checkbox"/> |
| | -K50 | 5000K | <input type="checkbox"/> |

CRI: >90

Beam Angle: 12° - 50°(zoom)

Input voltage: 48VDC

| | | | |
|----------|------|--------------|--------------------------|
| Dimming: | -NON | Non-Dimmable | <input type="checkbox"/> |
| | -DL | Dali | <input type="checkbox"/> |
| | -LU | Lutron | <input type="checkbox"/> |
| | -CA | Casambi | <input type="checkbox"/> |

Coating: Black
 IP rating: IP20
 Color tolerance: SDCM< 3 step
 Installation: Track mounted
 Warranty: 3 years

Operating temperature range - -20 to +40°C
 Maintenance of lumen - L80 - 50 000 hours at 25 °C

* The above parameters are based on Ra90, 4000K light source.

WWW.BULLARDCOLLECTION.COM

- TECHNICAL
- OUTDOOR
- DECORATIVE



CONTACT US:

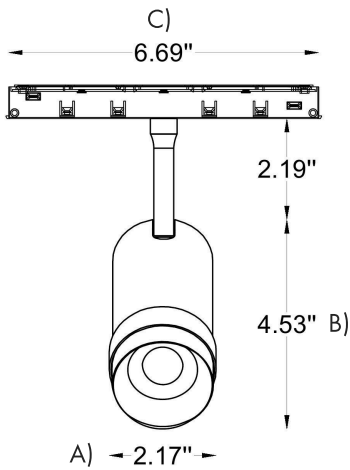
sales@gordonbullard.com
 www.byiba.com
 1 877-964-4646

WE WELCOME ALL CUSTOM ORDERS

PROJECT

SPEC TYPE

NOTES



LED 48 VDC IP20 LUTRON CASAMBI

90° 355°

HOW TO ORDER:

CODE:

Example:
 CODE FOR TRACK: BY-TLSR-NMT-SC-01-100P
 CODE FOR TRACK HEAD: M20S-30-K27-B24-LU
 CODE FOR ACCESSORIES: PN-D-TLS-R893-CL21-TLS-R861 / PN-D

M20S-30-K27-B24-LU

4 CHOOSE TRACK HEAD:

GENERAL INFORMATION

CODE - -M20SZ-55

Dimensions: A) Diameter - Ø: 2.17" (5.5 cm)
 B) Height - H: 3,94" (11.53" cm)
 C) Length - L: 6,7" (17 cm)

Diffuser: Lens
 Luminous flux: 500 lm
 Typ. power: 8W

CCT: -K27 2700K
 -K30 3000K
 -K40 4000K

CRI: >90

Beam Angle: 15° - 40°(zoom)

Input voltage: 48VDC

Dimming: -NON Non-Dimmable
 -DL Dali
 -LU Lutron
 -CA Casambi

Coating: Black
 IP rating: IP20
 Color tolerance: SDCM< 3 step
 Installation: Track mounted
 Warranty: 3 years

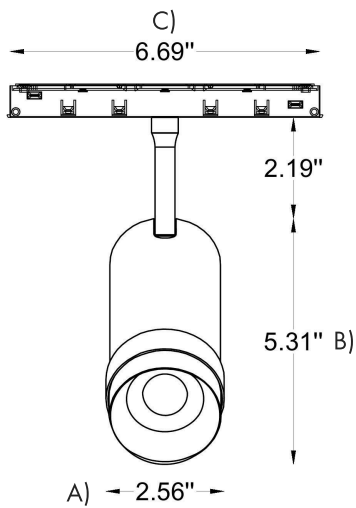
Operating temperature range - -20 to +40°C
 Maintenance of lumen - L80 - 50 000 hours at 25 °C

* The above parameters are based on Ra90, 4000K light source.

PROJECT

SPEC TYPE

NOTES



LED 48 VDC IP20 LUTRON CASAMBI

90° 355°

HOW TO ORDER:

CODE:

Example:
 CODE FOR TRACK: BY-TLSR-NMT-SC-01 - 100P
 CODE FOR TRACK HEAD: M20S-30-K27-B24-LU
 CODE FOR ACCESSORIES: PN-D-TLS-R893-CL21-TLS-R861 / PN-D

M20S-30-K27-B24-LU

4 CHOOSE TRACK HEAD:

GENERAL INFORMATION

CODE - **-M20SZ-65**
 Dimensions: A) Diameter - Ø: 2.17" (6.5 cm)
 B) Height - H: 5.31" (13.5" cm)
 C) Length - L: 6.7" (17 cm)

| | |
|----------------|--------|
| Diffuser: | Lens |
| Luminous flux: | 700 lm |
| Typ. power | 12W |

| | | | |
|------|------|-------|--------------------------|
| CCT: | -K27 | 2700K | <input type="checkbox"/> |
| | -K30 | 3000K | <input type="checkbox"/> |
| | -K40 | 4000K | <input type="checkbox"/> |
| | -K50 | 5000K | <input type="checkbox"/> |

CRI: >90

Beam Angle: 15° - 36° (zoom)

Input voltage: 48VDC

| | | | |
|----------|------|--------------|--------------------------|
| Dimming: | -NON | Non-Dimmable | <input type="checkbox"/> |
| | -DL | Dali | <input type="checkbox"/> |
| | -LU | Lutron | <input type="checkbox"/> |
| | -CA | Casambi | <input type="checkbox"/> |

Coating: Black
 IP rating: IP20
 Color tolerance: SDCM < 3 step
 Installation: Track mounted
 Warranty: 3 years

Operating temperature range - -20 to +40°C
 Maintenance of lumen - L80 - 50 000 hours at 25 °C

* The above parameters are based on Ra90, 4000K light source.

* Supports DALI individual control

WWW.BULLARDCOLLECTION.COM

- TECHNICAL
- OUTDOOR
- DECORATIVE



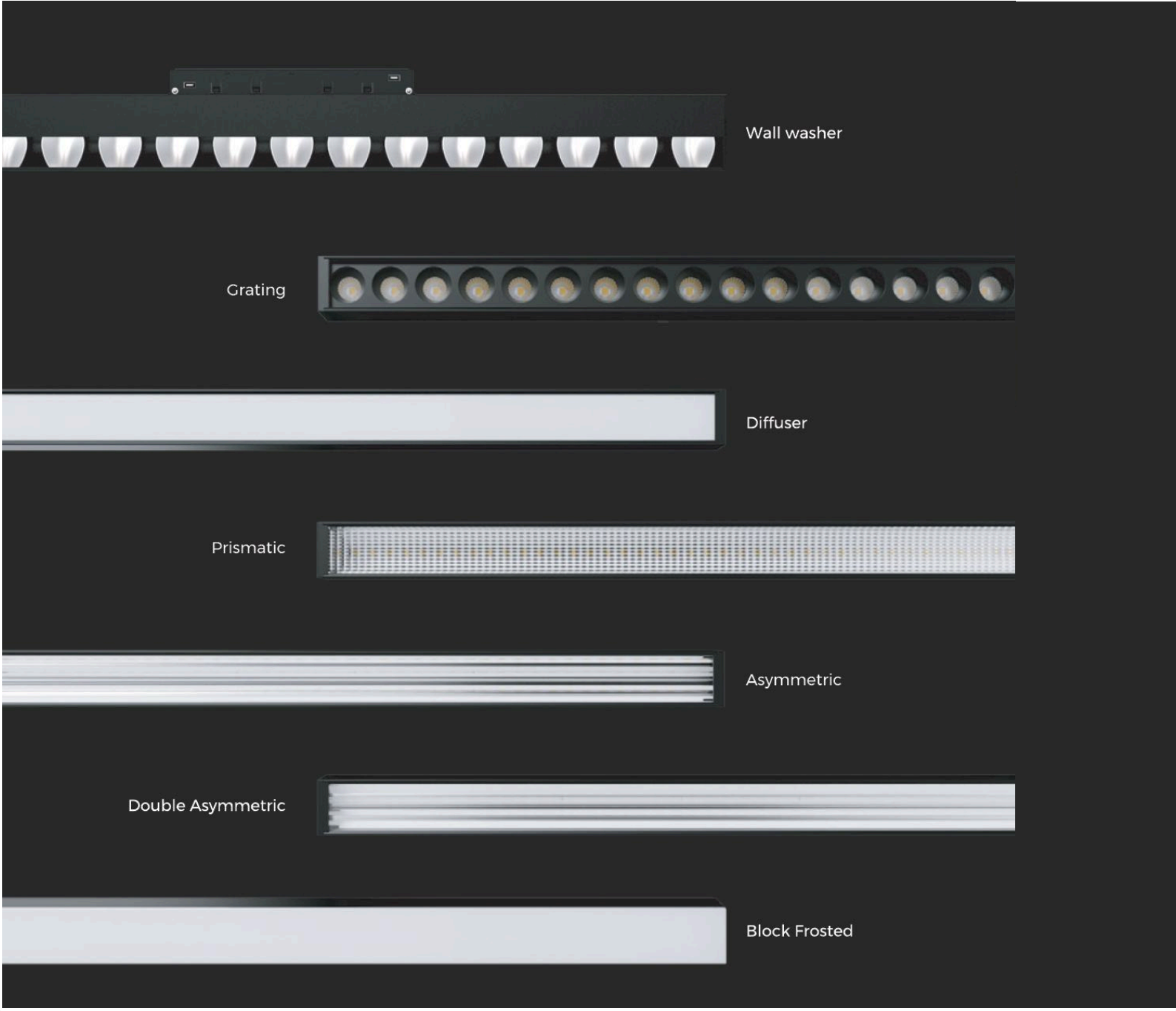
CONTACT US:

sales@gordonbullard.com
 www.byiba.com
 1 877-964-4646

WE WELCOME ALL CUSTOM ORDERS

CODE:

LINEAR MODULES



WWW.BYIBA.COM

- TECHNICAL
- OUTDOOR
- DECORATIVE



WE WELCOME ALL CUSTOM ORDERS

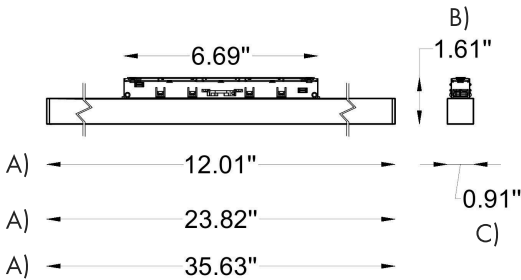
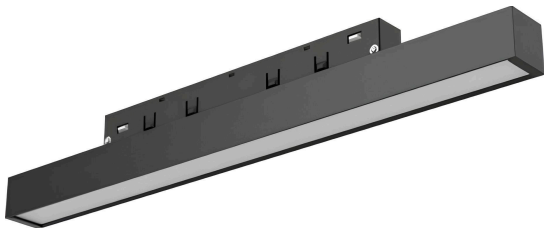
CONTACT US:

sales@gordonbullard.com
www.byiba.com
1 877-964-4646

PROJECT

SPEC TYPE

NOTES



LED 48 VDC IP20 LUTRON CASAMBI



HOW TO ORDER:

CODE:

Example:
 CODE FOR TRACK: BY-TLSR-NMT-SC-01-100P
 CODE FOR TRACK HEAD: M20S-30-K27-B24-LU
 CODE FOR ACCESSORIES: PN-D-TLS-R893-CL21-TLS-R861 / PN-D

M20S-30-K27-B24-LU

4 CHOOSE TRACK HEAD:

GENERAL INFORMATION

CODE - **-M20FD**

Dimensions:

A) Length - **-L1** L: 12" (30.5 cm)
-L2 L: 23.82" (60.5 cm)
-L3 L: 35.63" (90.5 cm)

B) Height - H: 1.61" (4.1 cm)
 C) Width - W: 0.91" (2.31 cm)

Diffuser: Diffuser

Light Source:

-LS1 LED / 7W / 490 lm
-LS2 LED / 14W / 980 lm
-LS3 LED / 20W / 1400 lm

CCT:

-K27 2700K
-K30 3000K
-K40 4000K

CRI: >90

Beam Angle: 100°

Input voltage: 48VDC

Dimming:

-NON Non-Dimmable
-DL Dali
-LU Lutron
-CA Casambi

Coating: Black
 IP rating: IP20
 Color tolerance: SDCM < 3 step
 Installation: Track mounted
 Warranty: 3 years

Operating temperature range - -20 to +40°C
 Maintenance of lumen - L80 - 50 000 hours at 25 °C

* The above parameters are based on Ra90, 4000K light source.

WWW.BULLARDCOLLECTION.COM

- TECHNICAL
- OUTDOOR
- DECORATIVE



CONTACT US:

sales@gordonbullard.com
 www.byiba.com
 1 877-964-4646

WE WELCOME ALL CUSTOM ORDERS

PROJECT

SPEC TYPE

NOTES

HOW TO ORDER:

CODE:

Example:
 CODE FOR TRACK: BY-TLSR-NMT-SC-01 - 100P
 CODE FOR TRACK HEAD: M20S-30-K27-B24-LU
 CODE FOR ACCESSORIES: PN-D-TLS-R893-CL21-TLS-R861 / PN-D

M20S-30-K27-B24-LU

4 CHOOSE TRACK HEAD:

GENERAL INFORMATION

| | | |
|---------------|---------------|--|
| CODE - | -M20FP | |
| Dimensions: | A) Length - | -L1 L: 12" (30.5 cm) <input type="checkbox"/> |
| | | -L2 L: 23.82" (60.5 cm) <input type="checkbox"/> |
| | | -L3 L: 35.63" (90.5 cm) <input type="checkbox"/> |
| | B) Height - | H: 1.61" (4.1 cm) |
| | C) Width - | W: 0.91" (2.31 cm) |

Diffuser: Prismatic

| | | |
|---------------|--------------------------|--------------------------|
| Light Source: | -LS1 LED / 7W / 525 lm | <input type="checkbox"/> |
| | -LS2 LED / 14W / 1050 lm | <input type="checkbox"/> |
| | -LS3 LED / 20W / 1500 lm | <input type="checkbox"/> |

| | | |
|------|------------|--------------------------|
| CCT: | -K27 2700K | <input type="checkbox"/> |
| | -K30 3000K | <input type="checkbox"/> |
| | -K40 4000K | <input type="checkbox"/> |

CRI: >90

Beam Angle: 65°x90°

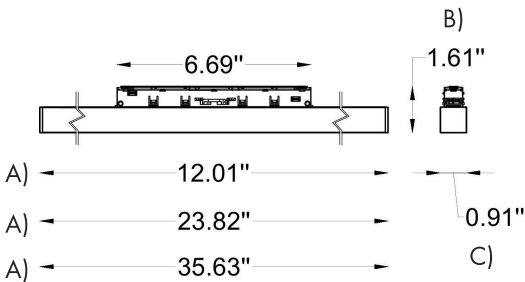
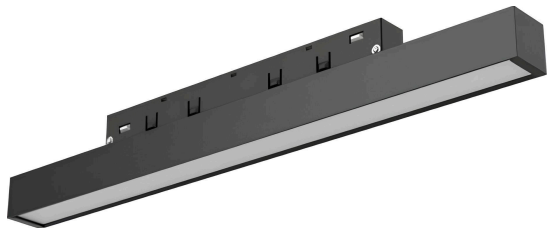
Input voltage: 48VDC

| | | |
|----------|-------------------|--------------------------|
| Dimming: | -NON Non-Dimmable | <input type="checkbox"/> |
| | -DL Dali | <input type="checkbox"/> |
| | -LU Lutron | <input type="checkbox"/> |
| | -CA Casambi | <input type="checkbox"/> |

Coating: Black
 IP rating: IP20
 Color tolerance: SDCM < 3 step
 Installation: Track mounted
 Warranty: 3 years

Operating temperature range - -20 to +40°C
 Maintenance of lumen - L80 - 50 000 hours at 25 °C

* The above parameters are based on Ra90, 4000K light source.



LED 48 VDC IP20 LUTRON CASAMBI



WWW.BULLARDCOLLECTION.COM

- TECHNICAL
- OUTDOOR
- DECORATIVE



WE WELCOME ALL CUSTOM ORDERS

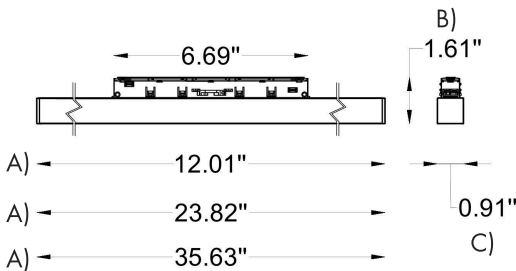
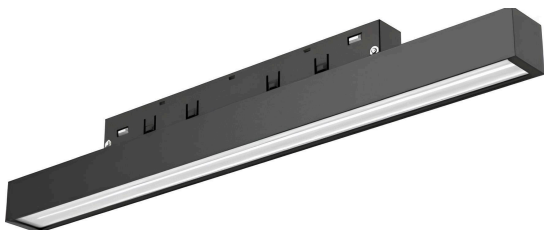
CONTACT US:

sales@gordonbullard.com
 www.byiba.com
 1 877-964-4646

PROJECT

SPEC TYPE

NOTES



HOW TO ORDER:

CODE:

Example:

CODE FOR TRACK: BY-TLSR-NMT-SC-01-100P

CODE FOR TRACK HEAD: M20S-30-K27-B24-LU

CODE FOR ACCESSORIES: PN-D-TLS-R893-CL21-TLS-R861 / PN-D

M20S-30-K27-B24-LU

4 CHOOSE TRACK HEAD:

GENERAL INFORMATION

| | | |
|---------------|---------------|--|
| CODE - | -M20LA | |
| Dimensions: | A) Length - | -L1 L: 12" (30.5 cm) <input type="checkbox"/> |
| | | -L2 L: 23.82" (60.5 cm) <input type="checkbox"/> |
| | | -L3 L: 35.63" (90.5 cm) <input type="checkbox"/> |
| | B) Height - | H: 1.61" (4.1 cm) |
| | C) Width - | W: 0.91" (2.31 cm) |

Diffuser: Lens (Asymmetric)

| | | |
|---------------|--------------------------|--------------------------|
| Light Source: | -LS1 LED / 7W / 700 lm | <input type="checkbox"/> |
| | -LS2 LED / 14W / 1400 lm | <input type="checkbox"/> |
| | -LS3 LED / 20W / 2000 lm | <input type="checkbox"/> |

| | | |
|------|------------|--------------------------|
| CCT: | -K27 2700K | <input type="checkbox"/> |
| | -K30 3000K | <input type="checkbox"/> |
| | -K40 4000K | <input type="checkbox"/> |

CRI: >90

Beam Angle: 90° x45° x15°

Input voltage: 48VDC

| | | |
|----------|-------------------|--------------------------|
| Dimming: | -NON Non-Dimmable | <input type="checkbox"/> |
| | -DL Dali | <input type="checkbox"/> |
| | -LU Lutron | <input type="checkbox"/> |
| | -CA Casambi | <input type="checkbox"/> |

Coating: Black
 IP rating: IP20
 Color tolerance: SDCM< 3 step
 Installation: Track mounted
 Warranty: 3 years

Operating temperature range - -20 to +40°C
 Maintenance of lumen - L80 - 50 000 hours at 25 °C

* The above parameters are based on Ra90, 4000K light source.

WWW.BULLARDCOLLECTION.COM

TECHNICAL

OUTDOOR

DECORATIVE



CONTACT US:

sales@gordonbullard.com

www.byiba.com

1 877-964-4646

WE WELCOME ALL CUSTOM ORDERS

PROJECT

SPEC TYPE

NOTES

HOW TO ORDER:

CODE:

Example:
 CODE FOR TRACK: BY-TLSR-NMT-SC-01-100P
 CODE FOR TRACK HEAD: M20S-30-K27-B24-LU
 CODE FOR ACCESSORIES: PN-D-TLS-R893-CL21-TLS-R861 / PN-D

M20S-30-K27-B24-LU

4 CHOOSE TRACK HEAD:

GENERAL INFORMATION

| | | |
|---------------|---------------|--|
| CODE - | -M20LS | |
| Dimensions: | A) Length - | -L1 L: 12" (30.5 cm) <input type="checkbox"/> |
| | | -L2 L: 23.82" (60.5 cm) <input type="checkbox"/> |
| | | -L3 L: 35.63" (90.5 cm) <input type="checkbox"/> |
| | B) Height - | H: 1.61" (4.1 cm) |
| | C) Width - | W: 0.91" (2.31 cm) |

Diffuser: Lens (Double asymmetric)

| | | |
|---------------|--------------------------|--------------------------|
| Light Source: | -LS1 LED / 7W / 700 lm | <input type="checkbox"/> |
| | -LS2 LED / 14W / 1400 lm | <input type="checkbox"/> |
| | -LS3 LED / 20W / 2000 lm | <input type="checkbox"/> |

| | | |
|------|------------|--------------------------|
| CCT: | -K27 2700K | <input type="checkbox"/> |
| | -K30 3000K | <input type="checkbox"/> |
| | -K40 4000K | <input type="checkbox"/> |

CRI: >90

Beam Angle: 100° x 90° x 15°

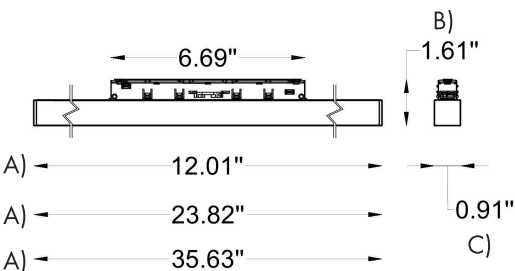
Input voltage: 48VDC

| | | |
|----------|-------------------|--------------------------|
| Dimming: | -NON Non-Dimmable | <input type="checkbox"/> |
| | -DL Dali | <input type="checkbox"/> |
| | -LU Lutron | <input type="checkbox"/> |
| | -CA Casambi | <input type="checkbox"/> |

Coating: Black
 IP rating: IP20
 Color tolerance: SDCM < 3 step
 Installation: Track mounted
 Warranty: 3 years

Operating temperature range - -20 to +40°C
 Maintenance of lumen - L80 - 50 000 hours at 25 °C

* The above parameters are based on Ra90, 4000K light source.



LED 48 VDC IP20 LUTRON CASAMBI



WWW.BULLARDCOLLECTION.COM

- TECHNICAL
- OUTDOOR
- DECORATIVE



WE WELCOME ALL CUSTOM ORDERS

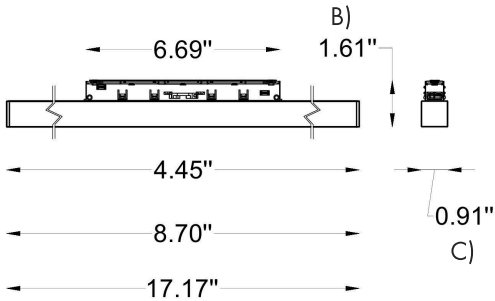
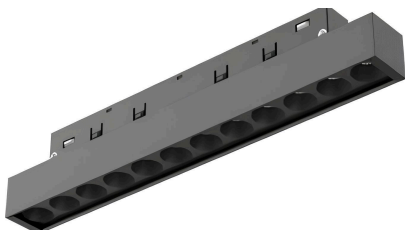
CONTACT US:

sales@gordonbullard.com
 www.byiba.com
 1 877-964-4646

PROJECT

SPEC TYPE

NOTES



LED 48 VDC IP20 LUTRON CASAMBI



HOW TO ORDER:

CODE:

Example:
 CODE FOR TRACK: BY-TLSR-NMT-SC-01-100P
 CODE FOR TRACK HEAD: M20S-30-K27-B24-LU
 CODE FOR ACCESSORIES: PN-D-TLS-R893-CL21-TLS-R861 / PN-D

M20S-30-K27-B24-LU

4 CHOOSE TRACK HEAD:

GENERAL INFORMATION

| | | |
|---------------|--------------|---|
| CODE - | -M20G | |
| Dimensions: | A) Length - | -L1 L: 4.45" (11.3 cm) <input type="checkbox"/> |
| | | -L2 L: 8.7" (22.1 cm) <input type="checkbox"/> |
| | | -L3 L: 17,17" (43.61 cm) <input type="checkbox"/> |
| | B) Height - | H: 1.61" (4.1 cm) |
| | C) Width - | W: 0.91" (2.31 cm) |

Diffuser: Grating

| | | |
|---------------|--------------------------|--------------------------|
| Light Source: | -LS1 LED / 6W / 470 lm | <input type="checkbox"/> |
| | -LS2 LED / 12W / 940 lm | <input type="checkbox"/> |
| | -LS3 LED / 24W / 1800 lm | <input type="checkbox"/> |

| | | |
|------|------------|--------------------------|
| CCT: | -K27 2700K | <input type="checkbox"/> |
| | -K30 3000K | <input type="checkbox"/> |
| | -K40 4000K | <input type="checkbox"/> |

CRI: >90

| | | |
|-------------|---------|--------------------------|
| Beam Angle: | -B1 30° | <input type="checkbox"/> |
| | -B2 55° | <input type="checkbox"/> |

Input voltage: 48VDC

| | | |
|----------|-------------------|--------------------------|
| Dimming: | -NON Non-Dimmable | <input type="checkbox"/> |
| | -DL Dali | <input type="checkbox"/> |
| | -LU Lutron | <input type="checkbox"/> |
| | -CA Casambi | <input type="checkbox"/> |

Coating: Black
 IP rating: IP20
 Color tolerance: SDCM < 3 step
 Installation: Track mounted
 Warranty: 3 years

Operating temperature range - -20 to +40°C
 Maintenance of lumen - L80 - 50 000 hours at 25 °C

* The above parameters are based on Ra90, 4000K light source.

WWW.BULLARDCOLLECTION.COM

- TECHNICAL
- OUTDOOR
- DECORATIVE



CONTACT US:

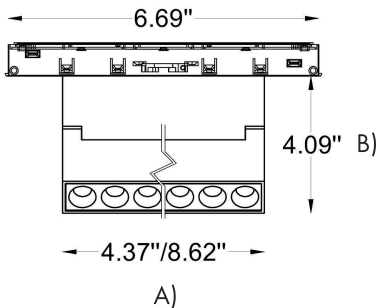
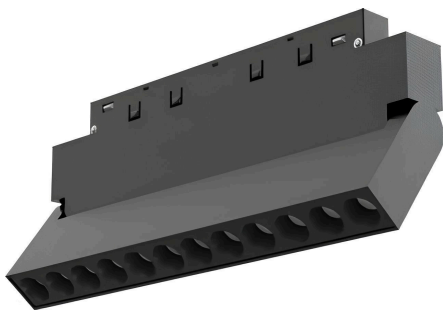
sales@gordonbullard.com
 www.byiba.com
 1 877-964-4646

WE WELCOME ALL CUSTOM ORDERS

PROJECT

SPEC TYPE

NOTES



LED
 48 VDC
 IP20
 LUTRON
 CASAMBI

90°

HOW TO ORDER:

CODE:

Example:
 CODE FOR TRACK: BY-TLSR-NMT-SC-01-100P
 CODE FOR TRACK HEAD: M20S-30-K27-B24-LU
 CODE FOR ACCESSORIES: PN-D-TLS-R893-CL21-TLS-R861 / PN-D

M20S-30-K27-B24-LU

4 CHOOSE TRACK HEAD:

GENERAL INFORMATION

CODE - **-M20G-A**

Dimensions: A) Length - **-L1** L: 4.37" (11.1 cm)
-L2 L: 8.62" (21.92 cm)

B) Height - H: 4.1" (10.4 cm)

Diffuser: Grating

Light Source: **-LS1** LED / 6W / 420 lm
-LS2 LED / 12W / 940 lm

CCT: **-K27** 2700K
-K30 3000K
-K40 4000K

CRI: >90

Beam Angle: **-B1** 30°
-B2 40°

Input voltage: 48VDC

Dimming: **-NON** Non-Dimmable
-DL Dali
-LU Lutron
-CA Casambi

Coating: Black
 IP rating: IP20
 Color tolerance: SDCM < 3 step
 Installation: Track mounted
 Warranty: 3 years

Operating temperature range - -20 to +40°C
 Maintenance of lumen - L80 - 50 000 hours at 25 °C

* The above parameters are based on Ra90, 4000K light source.

PROJECT

SPEC TYPE

NOTES

HOW TO ORDER:

CODE:

Example:
 CODE FOR TRACK: BY-TLSR-NMT-SC-01-100P
 CODE FOR TRACK HEAD: M20S-30-K27-B24-LU
 CODE FOR ACCESSORIES: PN-D-TLS-R893-CL21-TLS-R861 / PN-D

M20S-30-K27-B24-LU

4 CHOOSE TRACK HEAD:

GENERAL INFORMATION

CODE - **-M20GW**

Dimensions:

A) Length - **-L1** L: 23.78" (60 cm)
-L2 L: 39.53" (100 cm)
-L3 L: 47.40" (120 cm)

B) Height - H: 2.77" (7.3 cm)
 C) Width - W: 0.91" (2.31 cm)

Diffuser: Lens

Light Source:

-LS1 LED / 10W / 900 lm
-LS2 LED / 15W / 1350 lm
-LS3 LED / 20W / 1800 lm

CCT:

-K27 2700K
-K30 3000K
-K40 4000K

CRI: >90

Beam Angle:

-B1 60°
-B2 75°

Input voltage: 48VDC

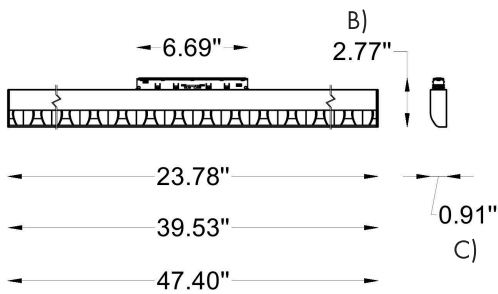
Dimming:

-NON Non-Dimmable
-DL Dali
-LU Lutron
-CA Casambi

Coating: Black
 IP rating: IP20
 Color tolerance: SDCM < 3 step
 Installation: Track mounted
 Warranty: 3 years

Operating temperature range - -20 to +40°C
 Maintenance of lumen - L80 - 50 000 hours at 25 °C

* The above parameters are based on Ra90, 4000K light source.



LED 48 VDC IP20 LUTRON CASAMBI



WWW.BULLARDCOLLECTION.COM

- TECHNICAL
- OUTDOOR
- DECORATIVE



WE WELCOME ALL CUSTOM ORDERS

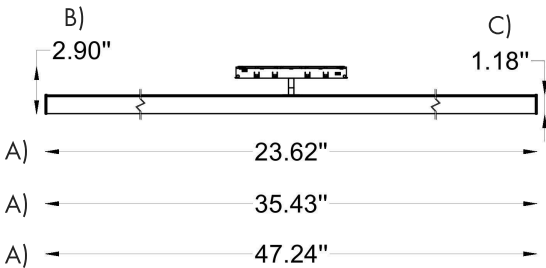
CONTACT US:

sales@gordonbullard.com
 www.byiba.com
 1 877-964-4646

PROJECT

SPEC TYPE

NOTES



LED 48 VDC IP20 LUTRON CASAMBI



HOW TO ORDER:

CODE:

Example:
 CODE FOR TRACK: BY-TLSR-NMT-SC-01-100P
 CODE FOR TRACK HEAD: M20S-30-K27-B24-LU
 CODE FOR ACCESSORIES: PN-D-TLS-R893-CL21-TLS-R861 / PN-D

M20S-30-K27-B24-LU

4 CHOOSE TRACK HEAD:

GENERAL INFORMATION

| | | |
|---------------|---------------|---|
| CODE - | -M20CD | |
| Dimensions: | A) Length - | -L1 L: 23.62" (60 cm) <input type="checkbox"/> |
| | | -L2 L: 35.43" (100 cm) <input type="checkbox"/> |
| | | -L3 L: 47.24" (120 cm) <input type="checkbox"/> |
| | B) Height - | H: 2.9" (7.4 cm) |
| | C) Diameter - | Ø: 1.81" (3 cm) |

Diffuser: PC

| | | |
|---------------|--------------------------|--------------------------|
| Light Source: | -LS1 LED / 12W / 1200 lm | <input type="checkbox"/> |
| | -LS2 LED / 18W / 1800 lm | <input type="checkbox"/> |
| | -LS3 LED / 24W / 2400 lm | <input type="checkbox"/> |

| | | |
|------|------------|--------------------------|
| CCT: | -K27 2700K | <input type="checkbox"/> |
| | -K30 3000K | <input type="checkbox"/> |
| | -K40 4000K | <input type="checkbox"/> |

CRI: >90

| | | |
|-------------|----------|--------------------------|
| Beam Angle: | -B1 150° | <input type="checkbox"/> |
|-------------|----------|--------------------------|

Input voltage: 48VDC

| | | |
|----------|-------------------|--------------------------|
| Dimming: | -NON Non-Dimmable | <input type="checkbox"/> |
| | -DL Dali | <input type="checkbox"/> |
| | -LU Lutron | <input type="checkbox"/> |
| | -CA Casambi | <input type="checkbox"/> |

Coating: Black
 IP rating: IP20
 Color tolerance: SDCM < 3 step
 Installation: Track mounted
 Warranty: 3 years

Operating temperature range - -20 to +40°C
 Maintenance of lumen - L80 - 50 000 hours at 25 °C

* The above parameters are based on Ra90, 4000K light source.

CODE:

DECORATIVE MODULES



WWW.BYIBA.COM

- TECHNICAL
- OUTDOOR
- DECORATIVE



WE WELCOME ALL CUSTOM ORDERS

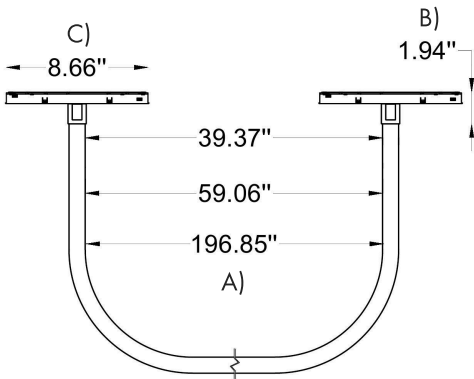
CONTACT US:

sales@gordonbullard.com
www.byiba.com
1 877-964-4646

PROJECT

SPEC TYPE

NOTES



LED
48 VDC
IP20
LUTRON
CASAMBI



HOW TO ORDER:

CODE:

Example:

CODE FOR TRACK: BY-TLSR-NMT-SC-01-100P

CODE FOR TRACK HEAD: M20S-30-K27-B24-LU

CODE FOR ACCESSORIES: PN-D-TLS-R893-CL21-TLS-R861 / PN-D

M20S-30-K27-B24-LU

4 CHOOSE TRACK HEAD:

GENERAL INFORMATION

| | | |
|---------------|------------------|--|
| CODE - | -M20NK-25 | |
| Dimensions: | A) Length - | -L1 L: 39.37" (100 cm) <input type="checkbox"/> |
| | | -L2 L: 59.06" (150 cm) <input type="checkbox"/> |
| | | -L3 L: 196.85" (500 cm) <input type="checkbox"/> |
| | B) Height - | H: 1.94" (4.93 cm) |
| | C) Length - | L: 8.66" (22 cm) |

Diffuser: Silicone Neon

| | | |
|---------------|--------------------------|--------------------------|
| Light Source: | -LS1 LED / 12W / 840 lm | <input type="checkbox"/> |
| | -LS2 LED / 28W / 1960 lm | <input type="checkbox"/> |
| | -LS3 LED / 60W / 4200 lm | <input type="checkbox"/> |

| | | |
|------|------------|--------------------------|
| CCT: | -K27 2700K | <input type="checkbox"/> |
| | -K30 3000K | <input type="checkbox"/> |
| | -K35 3500K | <input type="checkbox"/> |
| | -K40 4000K | <input type="checkbox"/> |

CRI: >90

Beam Angle: B1 360°

Input voltage: 48VDC

| | | |
|----------|-------------------|--------------------------|
| Dimming: | -NON Non-Dimmable | <input type="checkbox"/> |
| | -DL Dali | <input type="checkbox"/> |
| | -LU Lutron | <input type="checkbox"/> |
| | -CA Casambi | <input type="checkbox"/> |

Coating: Black

IP rating: IP20

Color tolerance: SDCM < 5 step

Installation: Track mounted

Warranty: 3 years

Operating temperature range - -20 to +40°C

Maintenance of lumen - L80 - 50 000 hours at 25 °C

* The above parameters are based on Ra90, 4000K light source.

WWW.BULLARDCOLLECTION.COM

TECHNICAL

OUTDOOR

DECORATIVE



CONTACT US:

sales@gordonbullard.com

www.byiba.com

1 877-964-4646

WE WELCOME ALL CUSTOM ORDERS

PROJECT

SPEC TYPE

NOTES

HOW TO ORDER:

CODE:

Example:
 CODE FOR TRACK: BY-TLSR-NMT-SC-01-100P
 CODE FOR TRACK HEAD: M20S-30-K27-B24-LU
 CODE FOR ACCESSORIES: PN-D-TLS-R893-CL21-TLS-R861 / PN-D

M20S-30-K27-B24-LU

4 CHOOSE TRACK HEAD:

GENERAL INFORMATION

CODE - **-M20I-30**

Dimensions: A) Diameter - Ø: 1.18" (3 cm)
 B) Height - H: 11.81" (30 cm)
 C) Length - L: 6.69" (17 cm)
 D) Cable - L: 59.06" (150 cm)

Diffuser: Spotlight

Light Source: LED / 5W / 330 lm

CCT: **-K27** 2700K
-K30 3000K
-K40 4000K

CRI: >90

Beam Angle: **-B1** 24°
-B2 36°

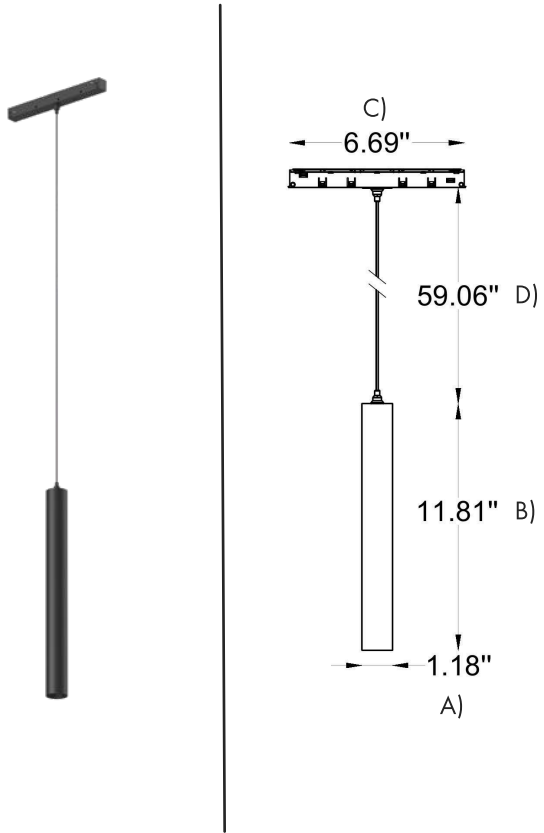
Input voltage: 48VDC

Dimming: **-NON** Non-Dimmable
-DL Dali
-LU Lutron
-CA Casambi

Coating: Black
 IP rating: IP20
 Color tolerance: SDCM < 5 step
 Installation: Track mounted
 Warranty: 3 years

Operating temperature range - -20 to +40°C
 Maintenance of lumen - L80 - 50 000 hours at 25 °C

* The above parameters are based on Ra90, 4000K light source.



LED 48 VDC IP20 LUTRON CASAMBI



WWW.BULLARDCOLLECTION.COM

- TECHNICAL
- OUTDOOR
- DECORATIVE



WE WELCOME ALL CUSTOM ORDERS

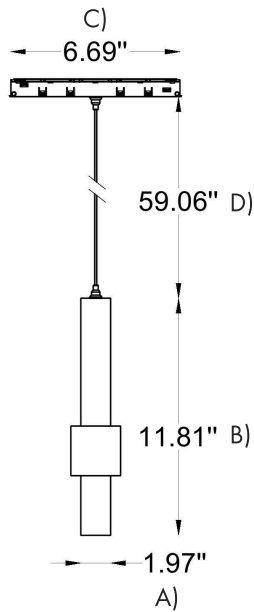
CONTACT US:

sales@gordonbullard.com
 www.byiba.com
 1 877-964-4646

PROJECT

SPEC TYPE

NOTES



LED 48 VDC IP20 LUTRON CASAMBI



HOW TO ORDER:

CODE:

Example:
 CODE FOR TRACK: BY-TLSR-NMT-SC-01-100P
 CODE FOR TRACK HEAD: M20S-30-K27-B24-LU
 CODE FOR ACCESSORIES: PN-D-TLS-R893-CL21-TLS-R861 / PN-D

M20S-30-K27-B24-LU

4 CHOOSE TRACK HEAD:

GENERAL INFORMATION

CODE - **-M20I-50**

Dimensions: A) Diameter - Ø: 1.97" (5 cm)
 B) Height - H: 11.81" (30 cm)
 C) Length - L: 6.69" (17 cm)
 D) Cable - L: 59.06" (150 cm)

Diffuser: Spotlight

Light Source: LED / 5W / 330 lm

CCT: **-K27** 2700K
-K30 3000K
-K40 4000K

CRI: >90

Beam Angle: **-B1** 24°
-B2 36°

Input voltage: 48VDC

Dimming: **-NON** Non-Dimmable
-DL Dali
-LU Lutron
-CA Casambi

Coating: Black
 IP rating: IP20
 Color tolerance: SDCM < 5 step
 Installation: Track mounted
 Warranty: 3 years

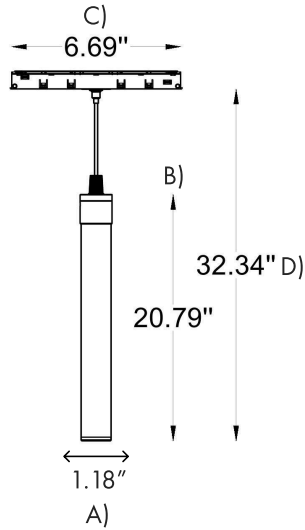
Operating temperature range - -20 to +40°C
 Maintenance of lumen - L80 - 50 000 hours at 25 °C

* The above parameters are based on Ra90, 4000K light source.

PROJECT

SPEC TYPE

NOTES



LED 48 VDC IP20 LUTRON CASAMBI



HOW TO ORDER:

CODE:

Example:
 CODE FOR TRACK: BY-TLSR-NMT-SC-01-100P
 CODE FOR TRACK HEAD: M20S-30-K27-B24-LU
 CODE FOR ACCESSORIES: PN-D-TLS-R893-CL21-TLS-R861 / PN-D

M20S-30-K27-B24-LU

4 CHOOSE TRACK HEAD:

GENERAL INFORMATION

CODE - **-M20U-30**

Dimensions: A) Diameter - Ø: 1.18" (3 cm)
 B) Height - H: 11.81" (30 cm)
 C) Length - L: 6.69" (17 cm)
 D) Max. Height - L: 59.06" (150 cm)

Diffuser: Silicone Neon rigid tube

Light Source: LED / 7W / 490 lm

CCT: **-K27** 2700K
-K30 3000K
-K35 3500K
-K40 4000K

CRI: >90

Beam Angle: 360°

Input voltage: 48VDC

Dimming: **-NON** Non-Dimmable
-DL Dali
-LU Lutron
-CA Casambi

Coating: Black
 IP rating: IP20
 Color tolerance: SDCM < 5 step
 Installation: Track mounted
 Warranty: 3 years

Operating temperature range - -20 to +40°C
 Maintenance of lumen - L80 - 50 000 hours at 25 °C

* The above parameters are based on Ra90, 4000K light source.

WWW.BULLARDCOLLECTION.COM

- TECHNICAL
- OUTDOOR
- DECORATIVE



CONTACT US:

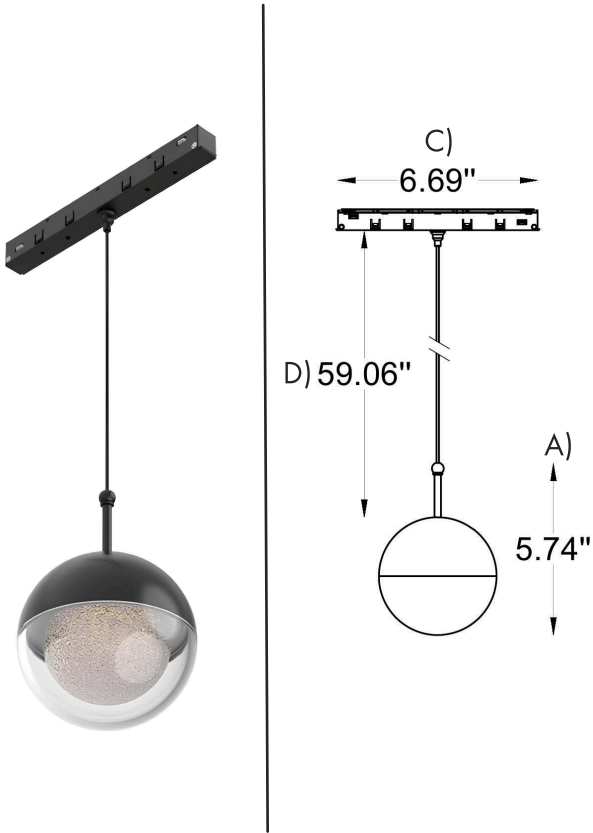
sales@gordonbullard.com
 www.byiba.com
 1 877-964-4646

WE WELCOME ALL CUSTOM ORDERS

PROJECT

SPEC TYPE

NOTES



HOW TO ORDER:

CODE:

Example:

CODE FOR TRACK: BY-TLSR-NMT-SC-01 - 100P

CODE FOR TRACK HEAD: M20S-30-K27-B24-LU

CODE FOR ACCESSORIES: PN-D-TLS-R893-CL21-TLS-R861 / PN-D

M20S-30-K27-B24-LU

4 CHOOSE TRACK HEAD:

GENERAL INFORMATION

CODE - **-M20IB-100**

Dimensions: A) Diameter - Ø: 5.74" (3 cm)
 B) Length - L: 6.69" (17 cm)
 D) Cable - L: 59.06" (150 cm)

Diffuser: Glass

Light Source: LED / 5W / 500 lm

CCT: **-K27** 2700K
-K30 3000K
-K40 4000K

CRI: >90

Beam Angle: 360°

Input voltage: 48VDC

Dimming: **-NON** Non-Dimmable
-DL Dali
-LU Lutron
-CA Casambi

Coating: Black

IP rating: IP20

Color tolerance: SDCM < 5 step

Installation: Track mounted

Warranty: 3 years

Operating temperature range - -20 to +40°C

Maintenance of lumen - L80 - 50 000 hours at 25 °C

* The above parameters are based on Ra90, 4000K light source.

WWW.BULLARDCOLLECTION.COM

TECHNICAL

OUTDOOR

DECORATIVE



CONTACT US:

sales@gordonbullard.com

www.byiba.com

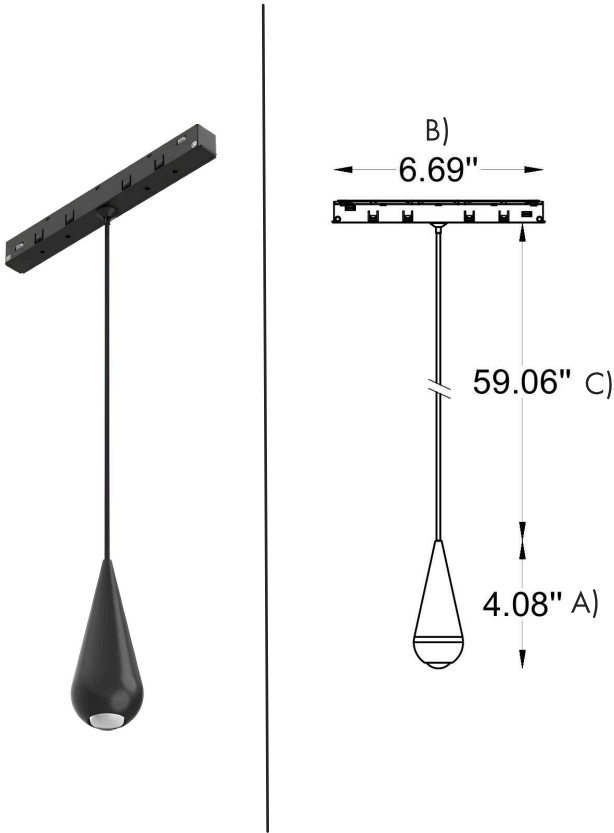
1 877-964-4646

WE WELCOME ALL CUSTOM ORDERS

PROJECT

SPEC TYPE

NOTES



HOW TO ORDER:

CODE:

Example:

CODE FOR TRACK: BY-TLSR-NMT-SC-01 - 100P

CODE FOR TRACK HEAD: M20S-30-K27-B24-LU

CODE FOR ACCESSORIES: PN-D-TLS-R893-CL21-TLS-R861 / PN-D

M20S-30-K27-B24-LU

4 CHOOSE TRACK HEAD:

GENERAL INFORMATION

CODE - **-M20IW-40**

Dimensions: A) Height - H: 4.08" (4 cm)
 B) Length - L: 6.69" (17 cm)
 C) Cable - L: 59.06" (150 cm)

Diffuser: Lens

Light Source: LED / 3W / 280 lm

CCT: **-K27** 2700K
-K30 3000K
-K40 4000K

CRI: >90

Beam Angle: 110°

Input voltage: 48VDC

Dimming: **-NON** Non-Dimmable
-DL Dali
-LU Lutron
-CA Casambi

Coating: Black

IP rating: IP20

Color tolerance: SDCM < 5 step

Installation: Track mounted

Warranty: 3 years

Operating temperature range - -20 to +40°C

Maintenance of lumen - L80 - 50 000 hours at 25 °C

* The above parameters are based on Ra90, 4000K light source.

WWW.BULLARDCOLLECTION.COM

TECHNICAL

OUTDOOR

DECORATIVE



CONTACT US:

sales@gordonbullard.com

www.byiba.com

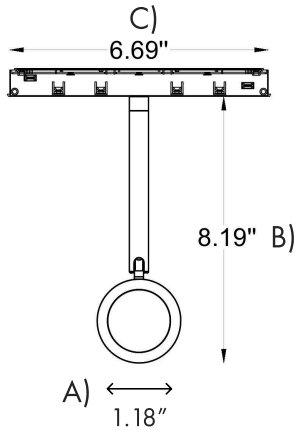
1 877-964-4646

WE WELCOME ALL CUSTOM ORDERS

PROJECT

SPEC TYPE

NOTES



LED 48 VDC IP20 LUTRON CASAMBI



HOW TO ORDER:

CODE:

Example:
 CODE FOR TRACK: BY-TLSR-NMT-SC-01-100P
 CODE FOR TRACK HEAD: M20S-30-K27-B24-LU
 CODE FOR ACCESSORIES: PN-D-TLS-R893-CL21-TLS-R861 / PN-D

M20S-30-K27-B24-LU

4 CHOOSE TRACK HEAD:

GENERAL INFORMATION

| | | | |
|---------------|------------------|--------------------|--|
| CODE - | -M20SS-55 | | |
| Dimensions: | A) Diameter - | Ø: 2.17" (5.5 cm) | |
| | B) Height - | H: 6.69" (17 cm) | |
| | C) Length - | L: 59.06" (150 cm) | |

Diffuser: Lens

Light Source: LED / 3W / 170 lm

CCT: 1500K (Colorfull)

Input voltage: 48VDC

| | | | |
|----------|-------------|--------------|--------------------------|
| Dimming: | -NON | Non-Dimmable | <input type="checkbox"/> |
| | -DL | Dali | <input type="checkbox"/> |
| | -LU | Lutron | <input type="checkbox"/> |
| | -CA | Casambi | <input type="checkbox"/> |

| | |
|------------------|---------------|
| Coating: | Black |
| IP rating: | IP20 |
| Color tolerance: | SDCM < 5 step |
| Intallation: | Track mounted |
| Warranty: | 3 years |

Operating temperature range - -20 to +40°C
 Maintenance of lumen - L80 - 50 000 hours at 25 °C

WWW.BULLARDCOLLECTION.COM

- TECHNICAL
- OUTDOOR
- DECORATIVE



CONTACT US:

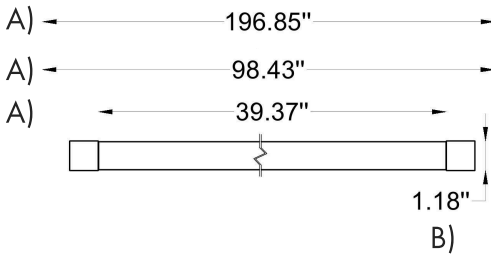
sales@gordonbullard.com
www.byiba.com
 1 877-964-4646

WE WELCOME ALL CUSTOM ORDERS

PROJECT

SPEC TYPE

NOTES



LED 48 VDC IP20 LUTRON CASAMBI



HOW TO ORDER:

CODE:

Example:
 CODE FOR TRACK: BY-TLSR-NMT-SC-01-100P
 CODE FOR TRACK HEAD: M20S-30-K27-B24-LU
 CODE FOR ACCESSORIES: PN-D-TLS-R893-CL21-TLS-R861 / PN-D

M20S-30-K27-B24-LU

4 CHOOSE TRACK HEAD:

GENERAL INFORMATION

CODE - **-RNR30NK**

Dimensions: A) Length - **-L1** L: 39.37" (100 cm)
-L2 L: 98.43" (250 cm)
-L3 L: 196.85" (500 cm)
 B) Diameter - Ø: 1.81" (3 cm)

Diffuser: Round Neon

Light Source: LED / 14W / 960 lm for L1 model*
 LED / 35W / 2380 lm for L2 model*
 LED / 70W / 4770 lm for L3 model*

CCT: **-K27** 2700K
-K30 3000K
-K40 4000K

CRI: >90

Beam Angle: 360°

Input voltage: 48VDC

Dimming: **-NON** Non-Dimmable
-DL Dali
-LU Lutron
-CA Casambi

Coating: Black
 IP rating: IP20
 Color tolerance: SDCM < 5 step
 Installation: Track mounted
 Warranty: 3 years

Operating temperature range - -20 to +40°C
 Maintenance of lumen - L80 - 50 000 hours at 25 °C

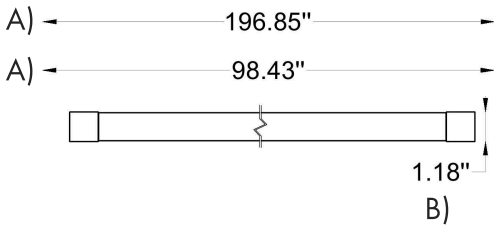
* The above parameters are based on Ra90, 4000K light source.



PROJECT

SPEC TYPE

NOTES



HOW TO ORDER:

CODE:

Example:
 CODE FOR TRACK: BY-TLSR-NMT-SC-01-100P
 CODE FOR TRACK HEAD: M20S-30-K27-B24-LU
 CODE FOR ACCESSORIES: PN-D-TLS-R893-CL21-TLS-R861 / PN-D

M20S-30-K27-B24-LU

4 CHOOSE TRACK HEAD:

GENERAL INFORMATION

CODE - **-RNR30NJ**

Dimensions: A) Length - **-L1** L: 39.37" (100 cm)
-L2 L: 98.43" (250 cm)
 B) Diameter - Ø: 1.81" (3 cm)

Diffuser: Round Tube

Light Source: LED / 14W / 940 lm for L1 model*
 LED / 35W / 2340 lm for L2 model*

CCT: **-K27** 2700K
-K30 3000K
-K40 4000K

CRI: >90

Beam Angle: 360°

Input voltage: 48VDC

Dimming: **-NON** Non-Dimmable
-DL Dali
-LU Lutron
-CA Casambi

Coating: Black
 IP rating: IP20
 Color tolerance: SDCM < 5 step
 Installation: Track mounted
 Warranty: 3 years

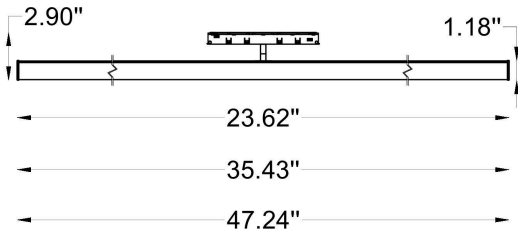
Operating temperature range - -20 to +40°C
 Maintenance of lumen - L80 - 50 000 hours at 25 °C

* The above parameters are based on Ra90, 4000K light source.

PROJECT

SPEC TYPE

NOTES



HOW TO ORDER:

Example:
 CODE FOR TRACK: BY-TLSR-NMT-SC-01-100P
 CODE FOR TRACK HEAD: M20S-30-K27-B24-LU
 CODE FOR ACCESSORIES: PN-D-TLS-R893-CL21-TLS-R861 / PN-D

CODE:

M20S-30-K27-B24-LU

4 CHOOSE TRACK HEAD:

GENERAL INFORMATION

CODE - **-M20NK-27**

Dimensions:

A) Length - **-L1** L: 42.52" (108 cm)
-L2 L: 62.2" (158 cm)
-L3 L: 200" (508 cm)

B) Length 2 - L: 2.9" (7.4 cm)
 C) Height - H: 1.81" (2.4 cm)

Diffuser: Silicone Neon

Light Source:

-LS1 LED / 10W / 450 lm
-LS2 LED / 14W / 630 lm
-LS3 LED / 48W / 2160 lm

CCT:

-K27 2700K
-K30 3000K
-K40 4000K

CRI: >90

Beam Angle: 110°

Input voltage: 48VDC

Dimming:

-NON Non-Dimmable
-DL Dali
-LU Lutron
-CA Casambi

Coating: White (neon)
 IP rating: IP20
 Color tolerance: SDCM < 3 step
 Installation: Track mounted
 Warranty: 3 years

Operating temperature range - -20 to +40°C
 Maintenance of lumen - L80 - 50 000 hours at 25 °C

WWW.BULLARDCOLLECTION.COM

TECHNICAL

OUTDOOR

DECORATIVE



WE WELCOME ALL CUSTOM ORDERS

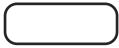
CONTACT US:

sales@gordonbullard.com
www.byiba.com
 1 877-964-4646

ACCESSORIES:

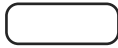
-L90-MR20(A)

L-shaped corner
(Downward)



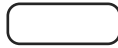
-L90N-MR20(A)

L-shaped corner
(Inward)



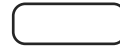
-L90-MR20(B)

L-shaped corner
(Downward)



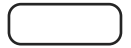
-L90N-MR20(B)

L-shaped corner
(Inward)



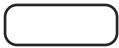
-L90-MR20(C)

L-shaped corner
(Downward)



-L90N-MR20(C)

L-shaped corner
(Inward)



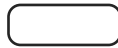
-L90-MS20

L-shaped corner
(Downward)



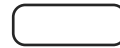
-L90N-MS20

L-shaped corner
(Inward)



-L90-MH20

L-shaped corner
(Downward)



-L90N-MH20

L-shaped corner
(Inward)



-L90-MH20(A)

L-shaped Adjustable
corner
(Downward)



-T90-MH20(A)

T-shaped Adjustable
corner
(Downward)



-X90-MH20(A)

X-shaped Adjustable
corner
(Downward)



HOW TO ORDER:

Example:
CODE: -L90MR20(A)-X90-MH20(A)

WWW.BULLARDCOLLECTION.COM

TECHNICAL

OUTDOOR

DECORATIVE



WE WELCOME ALL CUSTOM ORDERS

CONTACT US:

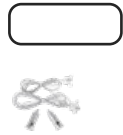
sales@gordonbullard.com
www.byiba.com
1 877-964-4646

ACCESSORIES:

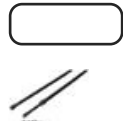
-PN-D
Pendant cable (Track)



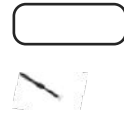
-TLS-R892
Pendant cable (Neon)



-PG-I
Pendant rod (Track)



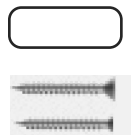
-TLS-R893
Pendant rod (Neon)



-CL-18
Ceiling accessories (Neon)



-CL-21
Ceiling screw (Track)



-TLS-R862(N)
Power feeder of track



-TLS-R865
Female end cap



-TLS-R600
End cap



-TLS-R860
Turned connector



-TLS-R861
Straight connector
(Without Wire
locker)



-TLS-R863(N)
I-shaped electrical
connector
180° splicing bar



HOW TO ORDER:

Example:
CODE: PN-D-TLS-R893-CL21-TLS-R861

NOTES

WWW.BULLARDCOLLECTION.COM

- TECHNICAL
- OUTDOOR
- DECORATIVE






WE WELCOME ALL CUSTOM ORDERS

CONTACT US:

sales@gordonbullard.com
www.byiba.com
1 877-964-4646

POWER SUPPLY:

| | | |
|--|--|---|
| <p>-PN-D 100W Power supply</p>  | <p>-BN-V48-150P 150W Power supply</p>  | <p>-BN-V48-250P 250 Power supply</p>  |
|--|--|---|

HOW TO ORDER:

Example:
CODE: PN-D

NOTES

WWW.BULLARDCOLLECTION.COM

- TECHNICAL
- OUTDOOR
- DECORATIVE



WE WELCOME ALL CUSTOM ORDERS

CONTACT US:

sales@gordonbullard.com
www.byiba.com
1 877-964-4646