



## MINILED SQUARE (CEILING RECESSED)

The MINILED SQUARE is a refined recessed LED lighting module that combines minimalist design with precise, high-quality light output for beautifully balanced illumination. Its sleek square form and compact profile blend seamlessly into ceilings, offering discreet yet effective lighting for contemporary interiors. Crafted with premium materials and subtle detailing, this fixture brings both functionality and understated style to any space. Ideal for accent, pathway, or task lighting in residential and commercial settings, it elevates everyday illumination into a purposeful design element.



	
PROJECT	
SPEC TYPE	
NOTES	

**MATERIAL:**

CRISTALY®

**LIGHTING:**

LED

**VOLTAGE:**

110-277V

**FINISHING:**

White / Paintable

**DRIVER POSITION:**

Remote

**IP RATING:**

IP20 / IP44

**APPLIANCE CLASS:**

III

**DRIVER POSITION:**

Remote

**WEIGHT:**

1.1 lb



**WE WELCOME ALL CUSTOM ORDERS**

Due to the dynamic nature of lighting products and the associated technologies, luminaire data on all specification sheets is subject to change at the discretion of Gordon Bullard LLC and associated companies.



**Contact Us:**

[sales@gordonbullard.com](mailto:sales@gordonbullard.com)

[www.byiba.com](http://www.byiba.com)

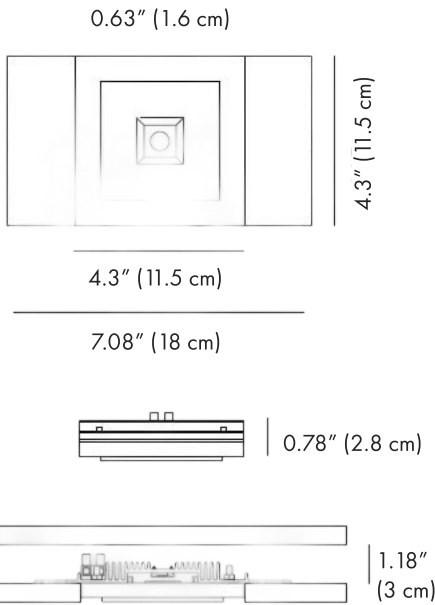
1 877-964-4646

BY-4250R-9010-  
L1-B20-K27-DIM

**HOW TO ORDER:**

Example:

CODE: BY-4250R-9010-L1-B20-K27-DIM



**1 DIMENSIONS:**

Height - H: 4.3" (11.5 cm)  
 Length - L: 4.3" (11.5 cm)  
 Depth - P: 0.78" (2.8 cm)  
 Square - h x l: 1.18" (3 cm) x 0.63" (1.6 cm)

**2 LIGHT SOURCE:**

-L1 LED / 4W / 110-277V / CRI 90  
 -L2 LED / 6W / 110-277V / CRI 90  
 -L3 LED / 8.5W / 110-277V / CRI 90  
 -L4 LED / 11W / 110-277V / CRI 90

**3 BEAM ANGLE :**

-B20 20°  
 -B30 30°  
 -B40 40°  
 -B50 50°

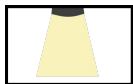
**4 CCT&LUMENS:**

-K27	2700K = 450 lm	} FOR L1 MODEL
-K30	3000K = 480 lm	
-K40	4000K = 510 lm	
-KK27	2700K = 630 lm	} FOR L2 MODEL
-KK30	3000K = 660 lm	
-KK40	4000K = 690 lm	
-KKK27	2700K = 820 lm	} FOR L3 MODEL
-KKK30	3000K = 850 lm	
-KKK40	4000K = 880 lm	
-KKKK27	2700K = 1020 lm	} FOR L4 MODEL
-KKKK30	3000K = 1050 lm	
-KKKK40	4000K = 1080 lm	

PROJECT

SPEC TYPE

NOTES



WE WELCOME ALL CUSTOM ORDERS

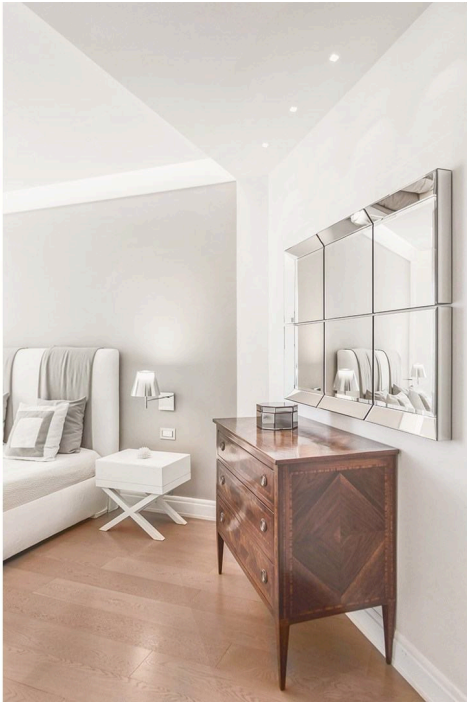
Due to the dynamic nature of lighting products and the associated technologies, luminaire data on all specification sheets is subject to change at the discretion of Gordon Bullard LLC and associated companies.

Contact Us:

sales@gordonbullard.com

www.byiba.com

1 877-964-4646



**HOW TO ORDER:**

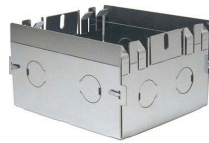
Example:  
CODE: BY-4250R-9010-L1-B20-K27-DIM

BY-4250R-9010-  
L1-B20-K27-DIM

**5 DIMMING OPTIONS:**

- DIM      0-10V
- DALI     DALI
- LT        Lutron
- CS        Casambi
- WF        WI-FI
- NON      Non-Dimmable

**6 ACCESSORIES:**

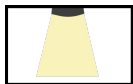


Housing Box  
7.3" × 4.7" × 1.7"  
8.5" × 5.9" × 2.2" - Hole

PROJECT

SPEC TYPE

NOTES



**WE WELCOME ALL CUSTOM ORDERS**

Due to the dynamic nature of lighting products and the associated technologies, luminaire data on all specification sheets is subject to change at the discretion of Gordon Bullard LLC and associated companies.