

## MINILED RITMO (CEILING RECESSED)

Elevate interior spaces with the MINILED RITMO recessed ceiling light — a refined lighting solution that merges cutting-edge LED technology with elegant Italian design. Crafted to transcend ordinary illumination, this fixture brings both function and aesthetic value to modern residential and commercial environments. Beautifully balanced aesthetic that goes beyond simple lighting, transforming ceilings into expressive decorative elements thanks to the iconic CRISTALY® rose motif. Delivers high-quality light with reduced energy consumption.



		<p><b>MATERIAL:</b> CRISTALY®</p> <p><b>LIGHTING:</b> LED</p> <p><b>VOLTAGE:</b> 110-277V</p> <p><b>FINISHING:</b> White / Paintable</p> <p><b>DRIVER POSITION:</b> Remote</p> <p><b>IP RATING:</b> IP20 / IP44</p> <p><b>APPLIANCE CLASS:</b> III</p> <p><b>DRIVER POSITION:</b> Remote</p> <p><b>WEIGHT:</b> 7.72 lb</p>
<p>PROJECT</p>		
<p>SPEC TYPE</p>		
<p>NOTES</p>		



WE WELCOME ALL CUSTOM ORDERS

Due to the dynamic nature of lighting products and the associated technologies, luminaire data on all specification sheets is subject to change at the discretion of Gordon Bullard LLC and associated companies.



Contact Us:

sales@gordonbullard.com

www.byiba.com

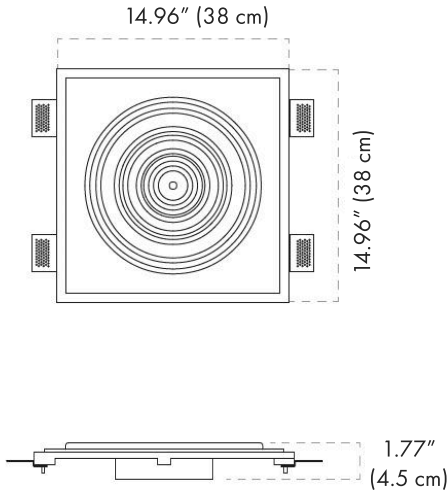
1 877-964-4646

BY-5512R-9010  
-L1-B20-K27-  
DIM

**HOW TO ORDER:**

Example:

CODE: BY-5512R-9010-L1-B20-K27-DIM



**1 DIMENSIONS:**

Height - H: 14.96" (38 cm) Depth - P: 1,77" (4.5 cm)  
Length - L: 14.96" (38 cm) Diameter - Ø: 0.39"(1 cm)

**2 LIGHT SOURCE:**

- L1 LED / 4W / 110-277V / CRI 90
- L2 LED / 6W / 110-277V / CRI 90
- L3 LED / 8.5W / 110-277V / CRI 90
- L4 LED / 11W / 110-277V / CRI 90

**3 BEAM ANGLE :**

- B20 20°
- Cus Custom on request

**4 CCT&LUMENS:**

- |         |                 |                |
|---------|-----------------|----------------|
| -K27    | 2700K = 450 lm  | } FOR L1 MODEL |
| -K30    | 3000K = 480 lm  |                |
| -K40    | 4000K = 510 lm  |                |
| -KK27   | 2700K = 630 lm  | } FOR L2 MODEL |
| -KK30   | 3000K = 660 lm  |                |
| -KK40   | 4000K = 690 lm  |                |
| -KKK27  | 2700K = 820 lm  | } FOR L3 MODEL |
| -KKK30  | 3000K = 850 lm  |                |
| -KKK40  | 4000K = 880 lm  |                |
| -KKKK27 | 2700K = 1020 lm | } FOR L4 MODEL |
| -KKKK30 | 3000K = 1050 lm |                |
| -KKKK40 | 4000K = 1080 lm |                |

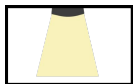
**5 DIMMING OPTIONS:**

- DIM 0-10V
- DALI DALI
- LT Lutron
- CS Casambi
- WF WI-FI
- NON Non-Dimmable

PROJECT

SPEC TYPE

NOTES



WE WELCOME ALL CUSTOM ORDERS

Due to the dynamic nature of lighting products and the associated technologies, luminaire data on all specification sheets is subject to change at the discretion of Gordon Bullard LLC and associated companies.

Contact Us:

sales@gordonbullard.com

www.byiba.com

1 877-964-4646