


MINILED DOR (CEILING RECESSED)

The MINILED DOR is a sculptural recessed LED module designed to bring depth, rhythm, and precision to contemporary ceilings. Featuring a clean rectangular form with dual light points, it creates a refined interplay of light and shadow while remaining visually discreet. Engineered with high-quality materials and Italian craftsmanship, it delivers controlled, glare-free illumination with architectural clarity. Ideal for modern residential and commercial interiors, the MINILED DOR transforms functional lighting into a subtle design statement.



		<p>MATERIAL: CRISTALY®</p> <p>LIGHTING: LED</p> <p>VOLTAGE: 110-277V</p> <p>FINISHING: White / Paintable</p> <p>DRIVER POSITION: Remote</p> <p>IP RATING: IP20 / IP44</p> <p>APPLIANCE CLASS: III</p> <p>DRIVER POSITION: Remote</p> <p>WEIGHT: 1.76 lb</p>
<p>PROJECT</p>		
<p>SPEC TYPE</p>		
<p>NOTES</p>		



WE WELCOME ALL CUSTOM ORDERS

Due to the dynamic nature of lighting products and the associated technologies, luminaire data on all specification sheets is subject to change at the discretion of Gordon Bullard LLC and associated companies.

©2026 All Rights Reserved

WWW.BYIBA.COM



Contact Us:

sales@gordonbullard.com

www.byiba.com

1 877-964-4646

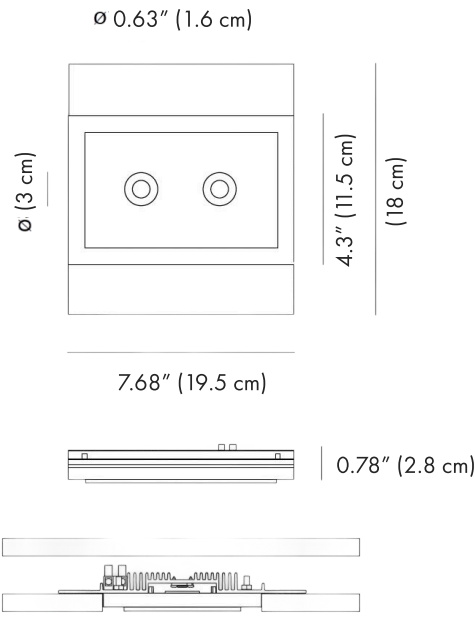
Updated 03/24/2026

BY-4248S-9010-
L1-B20-K27-DIM

HOW TO ORDER:

Example:

CODE: BY-4248S-9010-L1-B20-K27-DIM



1 DIMENSIONS:

Height - H: $4.3'' (11.5 \text{ cm})$
 Length - L: $7.68'' (19.5 \text{ cm})$
 Depth - P: $0.78'' (2.8 \text{ cm})$
 Square - h x l: $0.63'' (1.6 \text{ cm}) \times 1.18'' (3 \text{ cm})$

2 LIGHT SOURCE:

-L1 LED / 2x4W / 110-277V / CRI 90
-L2 LED / 2x6W / 110-277V / CRI 90
-L3 LED / 2x8.5W / 110-277V / CRI 90

3 BEAM ANGLE :

-B20 20°
-B30 30°
-B40 40°
-B50 50°

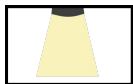
4 CCT&LUMENS:

-K27	2700K = 930 lm	} FOR L1 MODEL
-K30	3000K = 960 lm	
-K40	4000K = 990 lm	
-KK27	2700K = 1290 lm	} FOR L2 MODEL
-KK30	3000K = 1320 lm	
-KK40	4000K = 1350 lm	
-KKK27	2700K = 1670 lm	} FOR L3 MODEL
-KKK30	3000K = 1700 lm	
-KKK40	4000K = 1730 lm	

PROJECT

SPEC TYPE

NOTES



WE WELCOME ALL CUSTOM ORDERS

Due to the dynamic nature of lighting products and the associated technologies, luminaire data on all specification sheets is subject to change at the discretion of Gordon Bullard LLC and associated companies.

Contact Us:

sales@gordonbullard.com

www.byiba.com

1 877-964-4646



HOW TO ORDER:

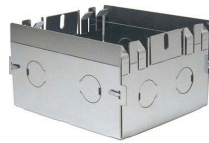
Example:
CODE: BY-4248S-9010-L1-B20-K27-DIM

BY-4248S-9010-
L1-B20-K27-DIM

5 DIMMING OPTIONS:

- DIM 0-10V
- DALI DALI
- LT Lutron
- CS Casambi
- WF WI-FI
- NON Non-Dimmable

6 ACCESSORIES:

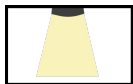


Housing Box
7.28" × 7.87" × 1.77"
8.46" × 9.06" × 2.17" - Hole

PROJECT

SPEC TYPE

NOTES



WE WELCOME ALL CUSTOM ORDERS

Due to the dynamic nature of lighting products and the associated technologies, luminaire data on all specification sheets is subject to change at the discretion of Gordon Bullard LLC and associated companies.