

BYIBA
L I G H T



ARCYN
(cylinders)

BY-70303-CL

PROJECT

SPEC TYPE

NOTES



LED

110-277V



GENERAL INFORMATION:

The Arcyn surface mounted cylinder lighting fixture combines sleek design with high-performance lighting. Made from durable aluminum and finished in sand white or sand black, it has a compact dimension of $\text{Ø } 5'' \times \text{H } 5.4''$. Powered by a 20W LED (500 mA) delivering 1100 lm with an exceptional CRI of 98, it provides a focused 32° beam angle. The fixture operates on 110-277V with CCT options of 2700K, 3000K, and 4000K. It supports 0-10V dimming or non-dimmable setups and is rated IP20. Certified by ETL, it's ideal for modern surface-mounted lighting applications.

MATERIAL:

Aluminum

FINISHING:

Sand White, Sand Black

LIGHTING:

LED

BEAM ANGLE:

32°

INPUT VOLTAGE:

110-277V

IP RATING:

20

DRIVER POSITION:

Remote

OPERATING TEMPERATURE RANGE:

-20 to +40 C

WWW.BULLARDCOLLECTION.COM

TECHNICAL

OUTDOOR

DECORATIVE



WE WELCOME ALL CUSTOM ORDERS

CONTACT US:

sales@gordonbullard.com

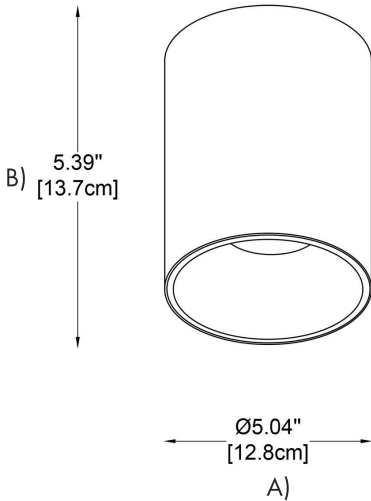
www.byiba.com

1 877-964-4646

PROJECT

SPEC TYPE

NOTES



HOW TO ORDER:

Example:
CODE: BY-321-CL-BM-K30-DIM

CODE:

BY-321-CL-
BM-K30-
DIM

1 DIMENSIONS:

A) Diameter - Ø: 5" (12.2 cm)
B) Height - H: 5.4" (13.7 cm)

2 LIGHT SOURCE:

LED / 20W / 500 mA / 1100 lm / CRI 98

3 FINISH OPTIONS:

-BM Sand Black
-SW Sand White

4 CCT:

-K30 3000K
-K40 4000K
-K50 5000K

5 DIMMING OPTIONS:

-DIM 0-10V
-NON Non-Dimmable

WWW.BULLARDCOLLECTION.COM

TECHNICAL

OUTDOOR

DECORATIVE



WE WELCOME ALL CUSTOM ORDERS

CONTACT US:

sales@gordonbullard.com
www.byiba.com
1 877-964-4646