

BYIBA
L I G H T



SILO 150
(cylinders)

BY-51420-CL

PROJECT

SPEC TYPE

NOTES



GENERAL INFORMATION:

Our modern and minimalist pendant and ceiling lighting fixtures feature durable aluminum die-casting with electrostatic powder coating, measuring \varnothing 5.9" (15 cm) x H 7.9" (20 cm). Available in dark, black, and grey finishes, they utilize COB or SMD LEDs, operating at 27W, 31W, or 32W with a voltage range of 110-277V. They offer color temperatures of 3000K, 4000K, and 5000K (for SMD), with CRI options of 80 and 90. Non-dimmable and suitable for both pendant and ceiling mounting, these ETL-certified fixtures are designed for indoor use, making them ideal for residential and commercial spaces.

HOUSING

AL. Die-Casting, Electrostatic Powder Coating

FINISHING:

White, Black, Grey

LIGHTING:

LED (COB or SMD)

INPUT VOLTAGE:

110-277V

IP RATING:

20

OPERATING TEMPERATURE RANGE:

-20 to +40 C

REFLECTOR:

PC

WIRE:

PVC / STC

LED

110-277V



IP20



0.8 kg

WWW.BULLARDCOLLECTION.COM

TECHNICAL

OUTDOOR

DECORATIVE



WE WELCOME ALL CUSTOM ORDERS

CONTACT US:

sales@gordonbullard.com

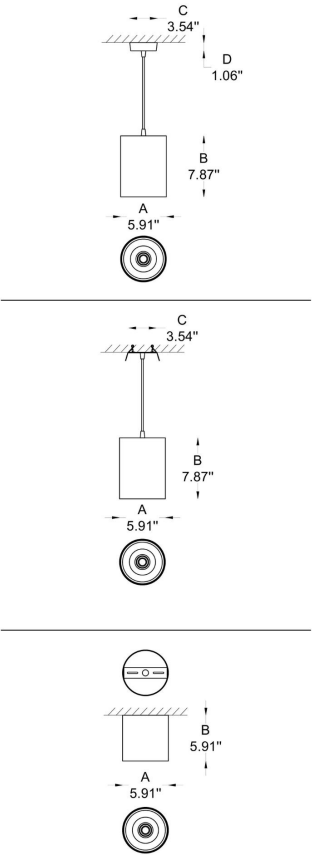
www.byiba.com

1 877-964-4646

PROJECT

SPEC TYPE

NOTES



HOW TO ORDER:

CODE:

Example:
CODE: BY-51420-CL-01-32W-K30-80-P-BL-RE

BY-51420-CL-01-32W-K30-80-P-BL-RE

1 MODEL:

- 01 A) Diameter- Ø: 5.9" (15 cm)
B) Height - H: 7.9" (20 cm)
C) Canopy Ø: 3.5"(9 cm) x H: 1" (2.5 cm)
- 02 A) Diameter- Ø: 5.9" (15 cm)
B) Height H: 7.9" (20 cm)
C) Canopy Ø: 3.5" (8 cm)
- 01-02 A) Diameter- Ø: 5.9" (15 cm)
B) Height H: 5.9" (15 cm)

2 LIGHT SOURCE:

- 32W COB - 32W - 800 mA - 3479 lm
- 27W SMD - 27W - 700 mA - 2285 lm
- 31W SMD - 31W - 800 mA - 2559 lm

4 CCT SPECIFY:

- K30 3000K
- K40 4000K
- K50 5000K - (only for SMD type)

5 CRI:

- 80 CRI 80
- 90 CRI 90

6 INSTALLATION TYPE:

- P Pendant
- C Ceiling
- SM Surface Mounted



WWW.BULLARDCOLLECTION.COM

- TECHNICAL
- OUTDOOR
- DECORATIVE



WE WELCOME ALL CUSTOM ORDERS

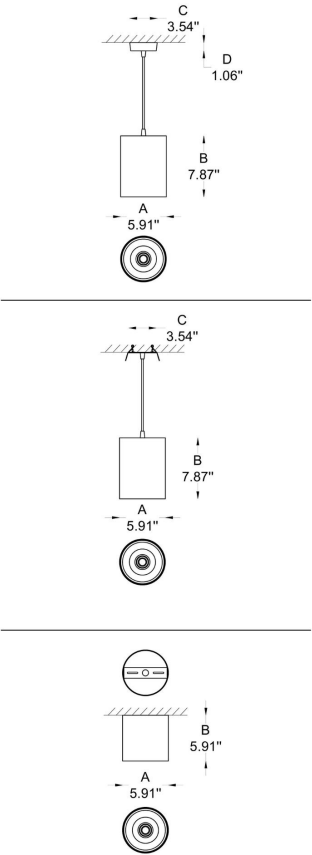
CONTACT US:

sales@gordonbullard.com
www.byiba.com
1 877-964-4646

PROJECT

SPEC TYPE

NOTES



HOW TO ORDER:

Example:
CODE: BY-51420-CL-01-32W-K30-80-P-BL-RE

CODE:

BY-51420-CL-01-32W-K30-80-P-BL-RE

7 FINISH OPTIONS:

- BL Black
- GR Grey
- WH White

8 DRIVER POSITION:

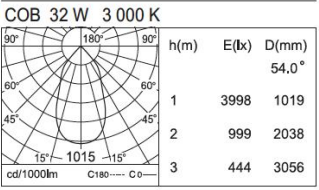
- RE Remove

9 PHOTOMETRIC:

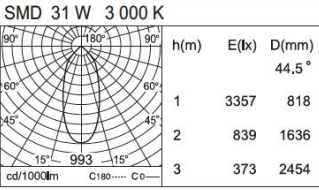
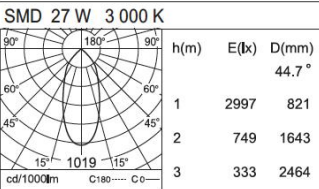
TYPE OF LED : COB

CCT MULTIPLIERS

	CRI 80	CRI 90
3 000 K	x 1.00	x 0.85
4 000 K	x 1.06	x 0.91



TYPE OF LED : SMD



WWW.BULLARDCOLLECTION.COM

- TECHNICAL
- OUTDOOR
- DECORATIVE



WE WELCOME ALL CUSTOM ORDERS

CONTACT US:

sales@gordonbullard.com
www.byiba.com
1 877-964-4646