

**BYIBA**  
L I G H T



**LONGER 35**  
**(cylinders)**

**BY-51240-CL**

PROJECT

SPEC TYPE

NOTES



### GENERAL INFORMATION:

Our modern and minimalist pendant lighting fixtures are crafted from aluminum die-casting with an electrostatic powder coating, measuring Ø 1.4" (3.5 cm) x H 10.6" (27 cm). Available in dark, black, and grey finishes, these fixtures feature 9W LEDs, supporting a voltage range of 110-277V with color temperatures of 3000K or 4000K, and CRI options of 80 or 90. Non-dimmable and designed for pendant mounting, these ETL-certified fixtures are ideal for indoor use in both residential and commercial environments.

### HOUSING:

AL. Die-Casting, Electrostatic Powder Coating

### FINISHING:

White, Black, Grey

### LIGHTING:

LED

### INPUT VOLTAGE:

110-277V

### IP RATING:

20

### OPERATING TEMPERATURE RANGE:

-20 to +40 C

### REFLECTOR:

Lens



[WWW.BULLARDCOLLECTION.COM](http://WWW.BULLARDCOLLECTION.COM)

TECHNICAL

OUTDOOR

DECORATIVE



WE WELCOME ALL CUSTOM ORDERS

CONTACT US:

[sales@gordonbullard.com](mailto:sales@gordonbullard.com)

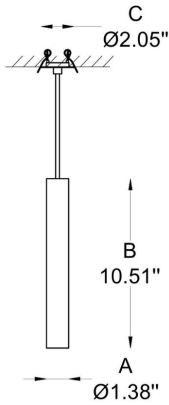
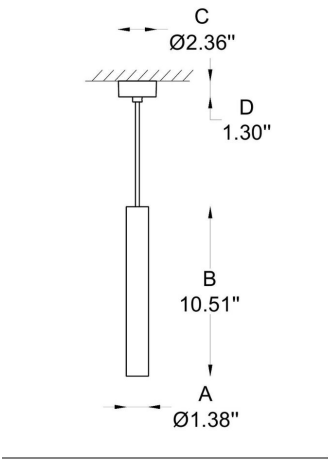
[www.byiba.com](http://www.byiba.com)

1 877-964-4646

PROJECT

SPEC TYPE

NOTES



### HOW TO ORDER:

### CODE:

Example:  
CODE: BY-51240-CL-01-B1-K30-80-BL-RE

BY-51240-CL-01-B1-K30-80-BL-RE

### 1 MODEL:

-01

- 01 A) Diameter- Ø: 1.4" (3.5 cm)  
B) Height - H: 10" (25 cm)  
C) Canopy Ø: 2.3"(6 cm) x H: 1" (2.5 cm)
- 02 A) Diameter- Ø: 1.4" (3.5 cm)  
B) Height H: 10" (25 cm)  
C) Canopy Ø: 2" (5.2 cm)

### 2 LIGHT SOURCE:

LED -9W - 450 mA

### 3 BEAM ANGLE - LUMINOUS FLUX:

-B1

- B1 12.5° 419 lm
- B2 17.5° 396 lm
- B3 25.5° 394 lm

### 4 CCT SPECIFY:

-K30

- K30 3000K
- K40 4000K

### 5 CRI:

-80

- 80 CRI 80
- 90 CRI 90

### 6 FINISH OPTIONS:

-BL

- BL Black
- GR Grey
- WH White

### 7 DRIVER POSITION:

-RE

- RE Remove



PROJECT

SPEC TYPE

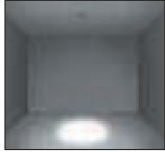
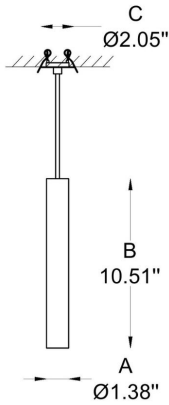
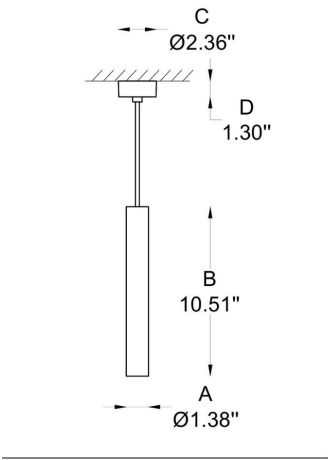
NOTES

## HOW TO ORDER:

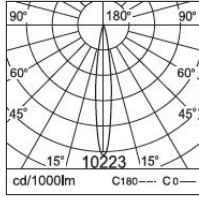
## CODE:

Example:  
CODE: BY-51240-CL-01-B1-K30-80-BL-RE

BY-51240-  
CL-01-B1-  
K30-80-BL-RE



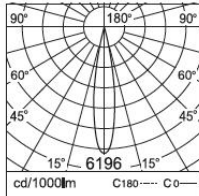
3 000 K



h(m)	E(lx)	D(mm)
		12.5°
1	5388	220
2	1347	439
3	599	659



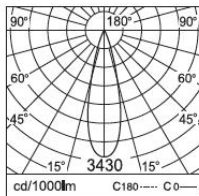
3 000 K



h(m)	E(lx)	D(mm)
		17.5°
1	3265	309
2	816	617
3	363	926



3 000 K



h(m)	E(lx)	D(mm)
		25.5°
1	1807	453
2	452	905
3	201	1358

LED 110-277V IP20 0.2 kg

[WWW.BULLARDCOLLECTION.COM](http://WWW.BULLARDCOLLECTION.COM)

- TECHNICAL
- OUTDOOR
- DECORATIVE



WE WELCOME ALL CUSTOM ORDERS

CONTACT US:

sales@gordonbullard.com  
[www.byiba.com](http://www.byiba.com)  
1 877-964-4646