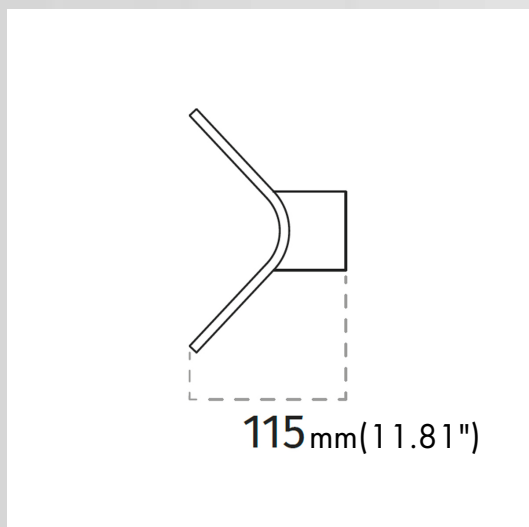
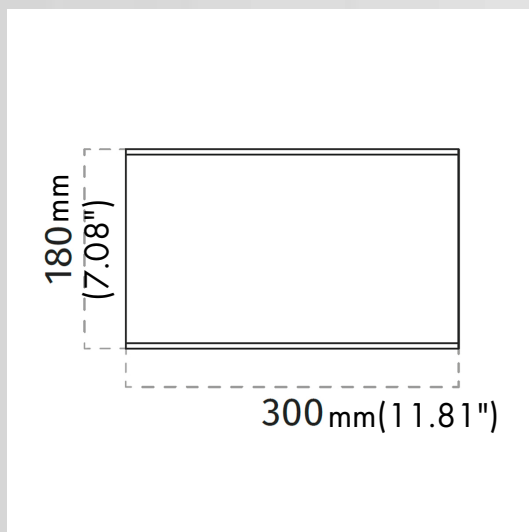




handmade in Italy



**FOLIO - Art. 2497**

Wall / CERAMIC  
Surface finish : White

**LIGHT SOURCE:**

2497-2780T	DIM LED - 2700K - 2750lm - 18W - CRI 85 - 110-277V
2497-3080T	DIM LED - 3000K - 2800lm - 18W - CRI 85 - 110-277V
2497-4080T	DIM LED - 4000K - 2850lm - 18W - CRI 85 - 110-277V

**MATERIAL:**

CERAMIC®

**GENERAL DATA:**

Dimmable	Yes
Power Supply	Remote
Connection	Screw Terminal
Cover	METACRILATO OPALINO
Protection Index	IP20
Isolation Class	II
Weight [Kg]	1.05
Country of production	MADE IN ITALY
Mounting instruction	025.576_9010

**INSTALLATION:**

Multisize system	NO
Position	Wall Lamp

Notes on measures:

\*Dimmable phase cut power supply