



BYIBA
LIGHT

025.584

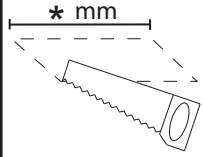
MADE IN ITALY

4191C 4192I
4191F 4192K
4191I 4196D
4191T 4196H
4191K 4196N
4191X
4191Y

GU10
5W
110 - 277 V

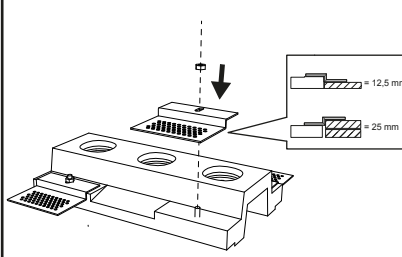


IP 20

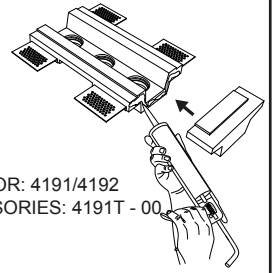


1

* Art.			* Art.		
4191C	120 x 210	90	4196D	295 x 155	85
4191F	120 x 420	90	4196H	555 x 145	85
4191I	120 x 625	90	4196N	705 x 145	85
4191K	165 x 165	90			
4191X	165 x 165	90			
4191Y	165 x 165	90			
4192I	120 x 165	50			
4192K	165 x 165	50			

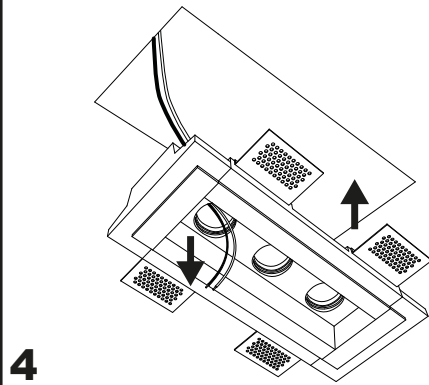


2

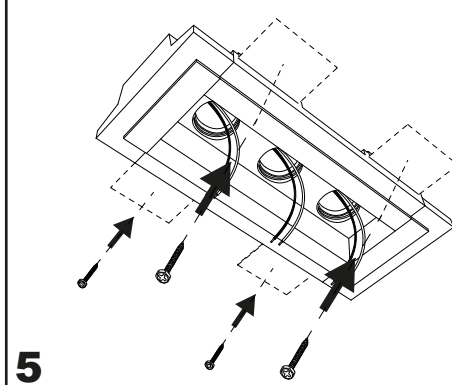


ONLY FOR: 4191/4192
ACCESSORIES: 4191T - 00

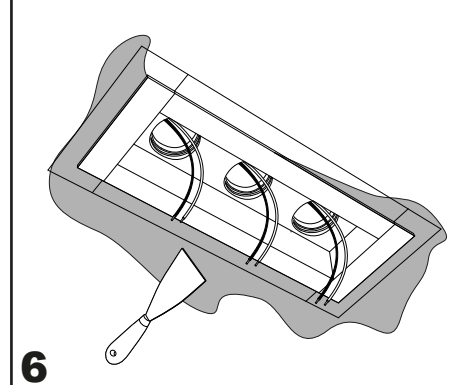
3



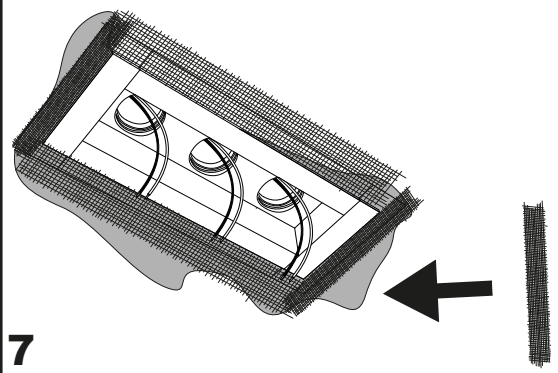
4



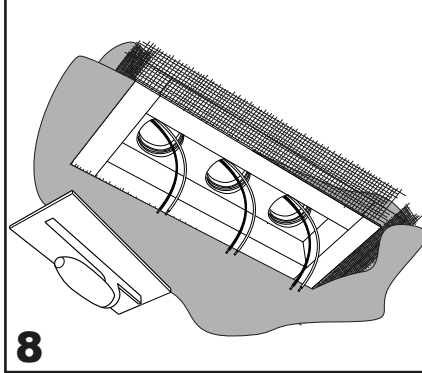
5



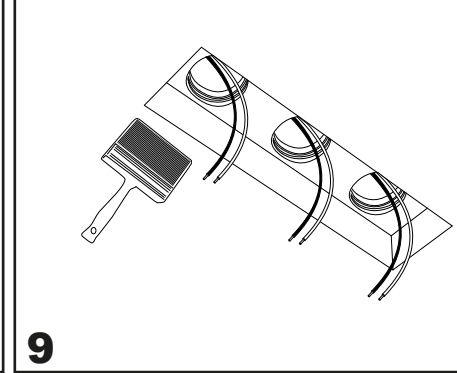
6



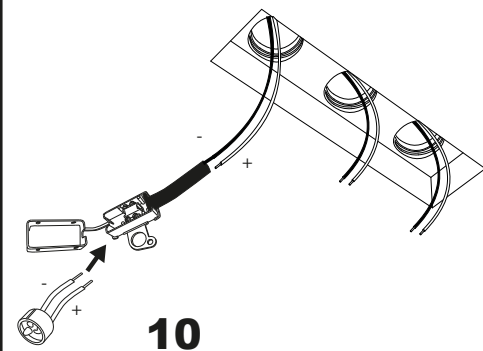
7



8

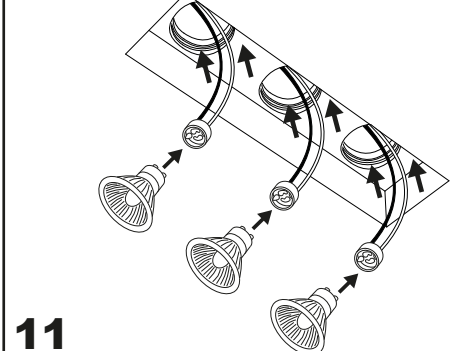


9

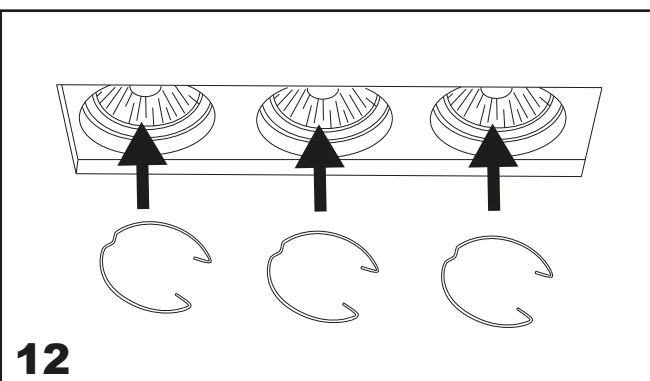


10

Terminal block is not included. For the installation qualified personnel may be required. (we recommend CABIT V3S 2P / STEAB 5590)



11



12

IMPORTANT

To ensure equipment safety you must carefully follow the instructions below. This leaflet must be kept handy by personnel entrusted with all ordinary and extraordinary maintenance.

- Before any installation or maintenance operation on the bulb, make sure it is disconnected from power.
- Fit the correct bulbs, according to the type and power indicated on the lamp data label.
- Make sure the lamp technical features are compatible with the use you are going to make of it.
- Should you have any doubt, refer to the dealer or ask an electrician.
- When connecting to the mains, follow the correct colour code for power cables: (N) blue, (L) brown or black and, only for class I equipment, (T) yellow/green.
- When lamps are to be fitted to the wall directly through their ceramic parts, fasten the fixing screws lightly, to avoid breaking the ceramic.
- To clean the lamp on the outside, use a soft cloth, possibly wet. Do not use solvents or abrasive products. No liquid must get in contact with the lamp interior parts.
- Do not touch the equipment with dirty hands.



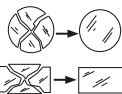
= Class I equipment, must be connected to an earth terminal.



= Double insulated lamp, does not need earthing.



= Electrical equipment in class III, electrical safety guaranteed by low voltage tension, does not require grounding



= Replace immediately the safety glass, if damaged, with the original part.



= Minimum distance to be observed from all lit up objects.



= The lamp uses low pressure bulbs, and needs no protection glass.



= Device with CE marking



= The equipment at the end of its life must be collected separately from other waste