

IP20



SLED



PRODUCT INFO:

Installation type:	Pendant
Environments:	Office, retail areas, study areas
Mounting type:	Surface
Mounting note:	Suspension by means of cable 2m length and ceiling rose.
Body:	Housing consisting of powder-coated extruded aluminium and laser cut welded steel plate, powder-coated.
Wiring:	Electrical harness wired for 110-277V -AC 50-60Hz power supply. 2.5mm ² LTN terminal block. Electronic ballast. Single switch.
Standard Colour:	DN embossed white
Option colors:	BE embossed black

DIMENSIONS:

Weight (kg)	3
Total device height:	60mm(2.36")
Total device width:	37mm(1.45")
Total device length:	1200mm(47.24")

OPTICAL:

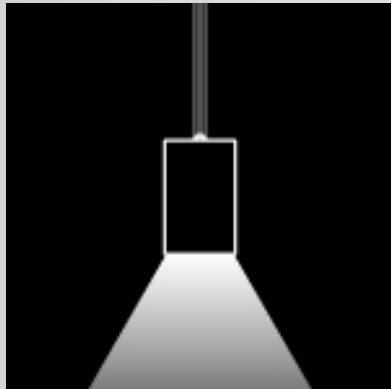
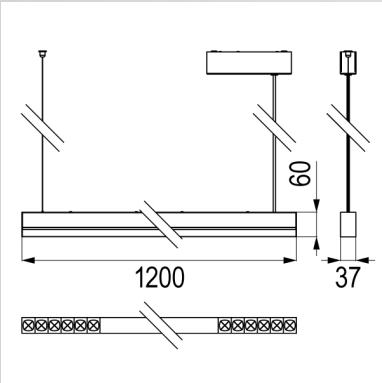
Optical System:	SLED LINE optical system with UV resistant PC lenses.
Beam:	Diffuse UGR<19
Emission:	direct
Adjustable:	No

LIGHTING SOURCE for model 3301-EL120DK93-DN

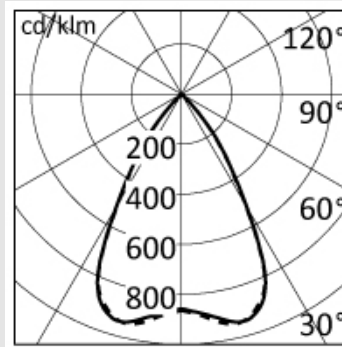
MacAdam:	Step 3
Output Flux:	1657 lm
Source type:	SLED LINE
System power:	24W
Temperature Colour:	3000K CRI>90
Ballast type:	ON-OFF.
Frequency:	50-60Hz
Lifetime:	50.000h L90B10 (Ta=25°C)
Mounting ballast type:	Integral
Voltage:	110-277V
Separate ignition:	No
Emergency 1E:	No
Emergency 3E:	No

LIGHTING SOURCE for model 3301-EL120DK94-DN

MacAdam:	Step 3
Output Flux:	1895 lm
Source type:	SLED LINE
System power:	24W
Temperature Colour:	4000K CRI>90
Ballast type:	ON-OFF.
Frequency:	50-60Hz
Lifetime:	50.000h L90B10 (Ta=25°C)
Mounting ballast type:	Integral
Voltage:	110-277V
Separate ignition:	No
Emergency 1E:	No
Emergency 3E:	No



PHOTOMETRICS:



IP20

CE SLED

