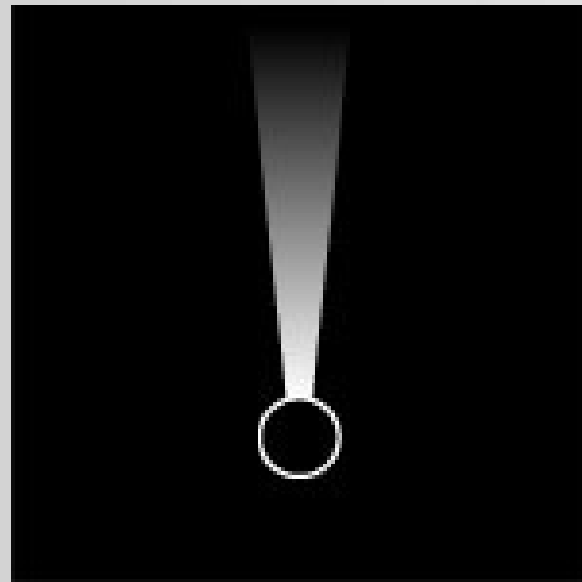
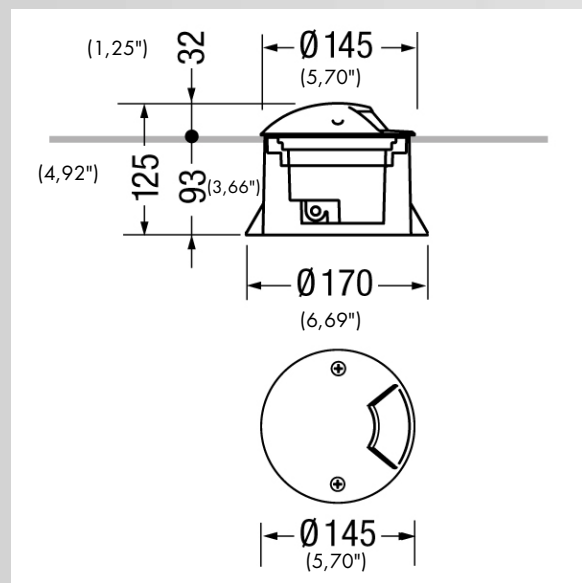


D44 INDICO 145 elliptical



(for model D44K/P1-LWWEB-AL)



(for model D44K/P1-LWNEB-AL)

CONSTRUCTIVE:

Installation type:	Ground recessed
Environments:	Urban landscape, façades and architectural works, wellness, hallway, conference hall, places of worship, residential lighting
Mounting type:	With rough-in housing
Mounting note:	On normally inflammable surfaces allowed.
Body:	Corrosion resistant die-cast aluminium body and dome.
Painting:	Polyester powder coating, with a pluri-processed against corrosion (passed the exposure of over 1500 hours in a saline mist environment).
Screws:	AISI 304 stainless steel screws.
Seals:	Silicone Rubber.
Static load:	2000Kg
Standard Colour:	AL aluminium grey
Option colors:	GR graphite satin finish

ELECTRICAL:

Item code:	D44K/P1-LWWEB-AL D44K/P1-LWNEB-AL
Ballast type:	ON-OFF.
Frequency:	50-60Hz
Lifetime:	60.000h L90B10 (T _a =25°C)
Line input:	Pre-wired and tested with resin sealed watertight H07RN-F - H05RN-F (tellux/P01 model) cable (for a fast and secure connection to the main power line, use ACS/CR1 connector or similar).
Mounting ballast type:	Integral
Voltage:	110-277 V
Separate ignition:	No
Emergency 1E:	No
Emergency 3E:	No

OPTICAL:

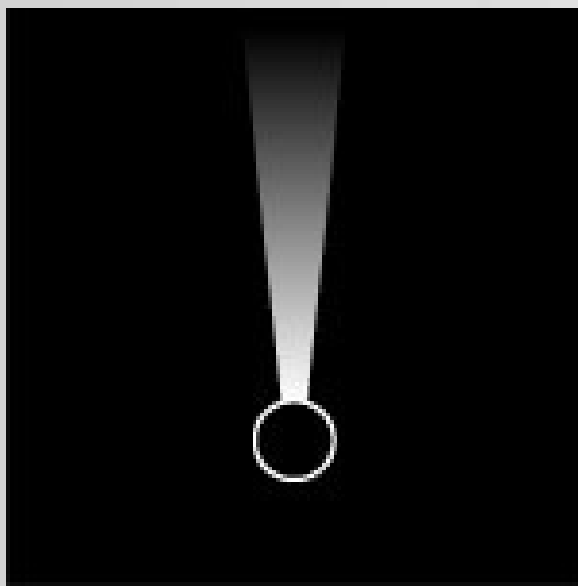
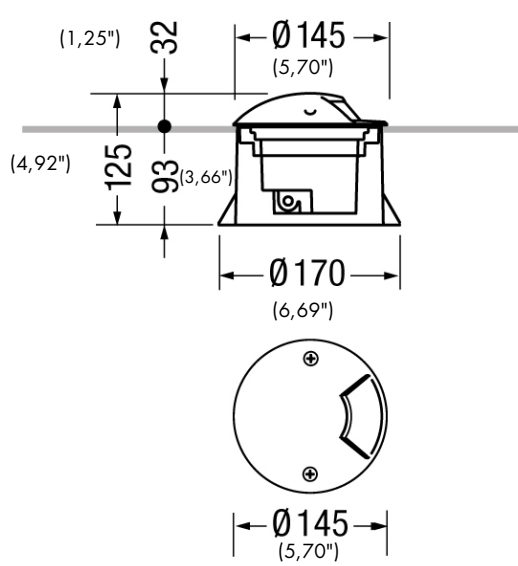
Diffuser:	Unbreakable UV-resistant polycarbonate.
Beam:	Elliptical
Emission:	Direct
Adjustable:	Yes

LIGHTING SOURCE for model D44K/P1-LWWEB-AL

MacAdam:	Step 3
Nominal Flux:	0
Output Flux:	98 lm
Source type:	LED
System power:	4,4W
Temperature Colour:	3000K CRI>80

BYIBA

L I G H T



D44 INDICO 145 elliptical

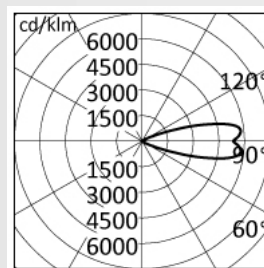
LIGHTING SOURCE for model D44K/P1-LWNEB-AL

MacAdam:	Step 3
Nominal Flux:	0
Output Flux:	104 lm
Source type:	LED
System power:	4,4W
Temperature Colour:	4000K CRI>80

DIMENSIONS:

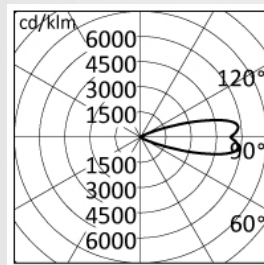
Weight (kg):	1.2(0,04")
Total diameter device (mm):	145(5,70")
Volume piece packed (m ³):	5(0,19")

PHOTOMETRICS:



D44K/P1-LWWEB-AL

h (m)	\varnothing (m)	$\gamma=0.0 \alpha=13^\circ$	\varnothing (m)	$\gamma=0.0 \beta=43^\circ$	Emed (lx)
5.00	1.29		3.91		19
4.00	1.03		3.13		29
3.00	0.77		2.35		52
2.00	0.52		1.57		116
1.00	0.26		0.78		464



D44K/P1-LWNEB-AL

h (m)	\varnothing (m)	$\gamma=0.0 \alpha=13^\circ$	\varnothing (m)	$\gamma=0.0 \beta=43^\circ$	Emed (lx)
5.00	1.29		3.91		20
4.00	1.03		3.13		32
3.00	0.77		2.35		57
2.00	0.52		1.57		128
1.00	0.26		0.78		511

INCLUDED ACCESSORIES:

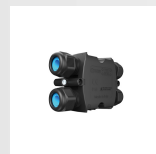
Rough-in housing:	Ground and Wall rough-in housing box, high impact resistant composite technopolymer (Code PT0719).
-------------------	--

ACCESSORIES:

Electrical



ACS/CR1
Fast IP68 connector 1 bar (10m-1h) for cable $\varnothing 7-12$ mm - 3x1.5mm.



ACS/CR6
4 ways IP68 wiring box for cable $\varnothing 5-14$ mm - 3x1,5mm.