

## GRAEAE-II -SERIES

### GENERAL INFORMATION:

Spot housing can be pulled out completely and light up the required area. Multiple lens are available to light up different size objects.

### PROTECTION CLASS:

IP 20

### ISOLATION CLASS:

CLASS II

### MATERIAL:

Aluminum, PC

### FINISH OPTION:

White

Black

### SPECIFICATION:

2700 K, 3000 K,

4000 K, CRI ≥ 90

IP20

### COLOURS:

Bezel : ● ○  
Black White

Baffle : ● ○  
Black White

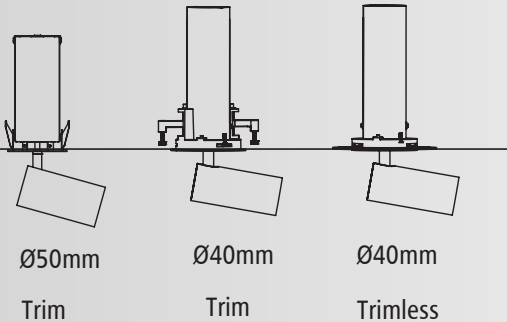
### BEAM ANGLE:



12°/20°/35° (Lens) for GRAEAE-50



18°/23°/36° (Lens) for GRAEAE-40



**GRAEAE-II-50-RTSP**

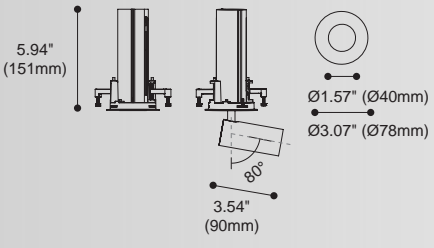


Article number	
LED Consumption	
Current	350 (mA)
Lumen	656 (lm)
Beam Angle	18°/23°
CCT	3000K
CRI	90+

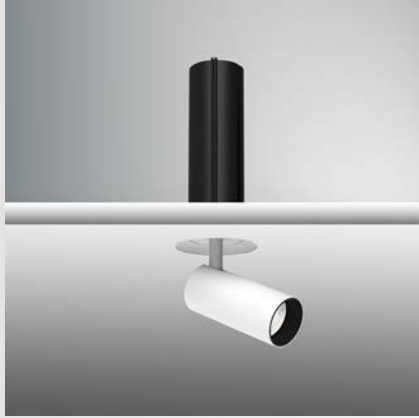


- Colours : ● ○  
Black White
- Baffle : ● ○ ●  
Black White Copper
- Trim + Baffle : ● ○ ●  
Black White Mix

IP20 80° 355° UGR <19



**GRAEAE-II-40-RTSP**

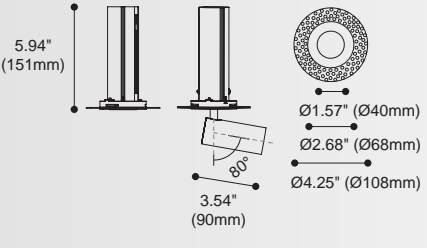


Article number	
LED Consumption	
Current	350 (mA)
Lumen	656
Beam Angle	18°/23°
CCT	3000K
CRI	90+



- Colours : ● ○  
Black White
- Baffle : ● ○ ●  
Black White Copper
- Trim + Baffle : ● ○  
Black White

IP20 80° 355° UGR <19



**GRAEAE-II-40-RTLSP**



Article number	2018.151
LED Consumption	
Current	350 (mA)
Lumen	1193 (lm)
Beam Angle	12°/20°/35° (Lens)
CCT	30
CRI	90+



- Colours : ● ○  
Black White
- Baffle : ● ○ ●  
Black White Copper

IP20 90° 355°

Dimmable TRIAC 1-10V

