

ZELDA PENDANT



CATEGORY:

Indoor, Suspension, Damp Location

MATERIALS:

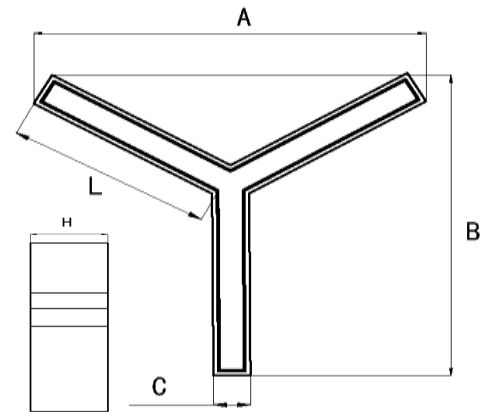
Aluminum, Polyester fiber

FEATURES:

- Available in acoustic with light or acoustic only (no light)
- Available in direct or direct and indirect light distribution
- 35 acoustic felt colors
- Operation Voltage: AC120-277V;
- 0-10v dimming and non-dimmable options
- Direct and indirect lighting options
- Efficiency: >105lm/w
- PC, UL-94VO, Anti-UV lens
- Samsung 2835, 3V, 150mA LED System
- CCT: 2700K, 3000K, 3500K, 4000K and 5000K with a great color consistency (within 3-step MacAdam ellipse)

DIMENSIONS AND MODELS:

MODEL NUMBER	DIMENSION				
	A	B	C	L	H
LL0190SAC-40W	19.7"(500mm)	22.2"(563mm)	2.0"(51mm)	11.8"(300mm)	8.3"(209mm)
LL0190SAC-80W	37.9"(960mm)	42.6"(1082mm)	2.08"(53mm)	23.6"(600mm)	8.3"(209mm)
LL0190SAC-120W	56.1"(1425mm)	63.00"(1600mm)	2.08"(53mm)	35.4"(900mm)	8.3"(209mm)
LL0190UDSAC-50W	19.7"(500mm)	22.2"(563mm)	2.08"(53mm)	11.8"(300mm)	8.3"(209mm)
LL0190UDSAC-80W	37.9"(960mm)	42.6"(1082mm)	2.08"(53mm)	23.6"(600mm)	8.3"(209mm)
LL0190UDSAC-140W	56.1"(1425mm)	63.0"(1600mm)	2.08"(53mm)	35.4"(900mm)	8.3"(209mm)

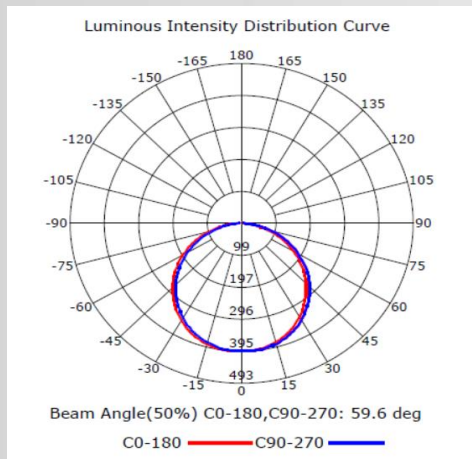


Ordering Format	Model No.	Distribution	Installation	Acoustic Configuration	Power	CRI	CCT		Control		Body Color		Size
		LL0190	Blank down	S suspended	Blank no acoustic	40W	80+	30K	3000K	STD	non-dimming	SW	matt white
	UD Up and down			AC Acoustic only	50W	90+	40K	4000K	DIM	0-10V dimming	SB	matt black	M
					80W		50K	5000K			SV	silver	L
					100W						RAL	customized color	
					120W								
					140W								
Order Example:	LL0190SAC-40W-90-30-DIM--SW-S												

ACOUSTIC COLORS:



LIGHT DISTRIBUTION



OPTICAL SYSTEM

