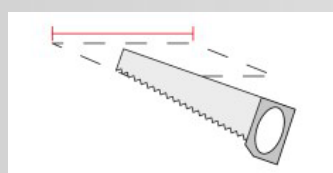
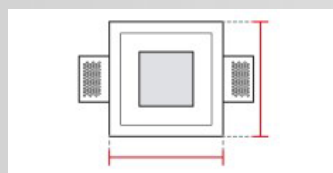


Req. space behind
the plasterboard

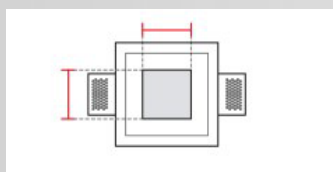
60mm(2,36")



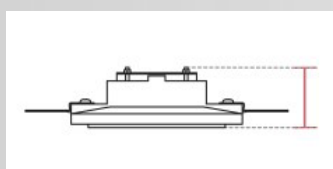
hole on the
plasterboard
155x155mm
(6,10" x 6,10")



External
measures
150x150mm
(5,90" x 5,90")

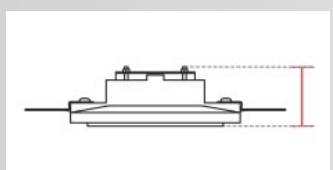


Measures of the
light output
70x70mm
(2,75" x 2,75")



Height without
electrical part

45mm(1,77")



Height including
the electrical part
50mm
(1,96")

Notes on measures

**PATHMARKERS
4062-4001**

Recessed Spotlight / CRISTALY
Surface finish : CRISTALY
LED 3.5W / 24Vdc / 370lm / 4000°K / CRI90

MODEL

Code 4062
Product family Pathmarkers
Type Recessed Spotlight

MATERIAL/SURFACE FINISH:

Code 004
Material CRISTALY
Surface finish CRISTALY

ELECTRICAL PART:

Code 4001
Type LED
Power 3.5W
Tension 24Vdc
Light Output 370 lm
Colour Temperature 4000°K
CRI 90
Light Output of the lamp 281.2lm
Dimmable YES
Power Supply by Remote Power Supply
Connection 2 PVC cables
Cover

GENERAL DATA:

Protection Index IP20
Isolation Class III
Weight [Kg] 0.65
Country of production MADE IN ITALY
Mounting instruction 025.392_9010_REV05

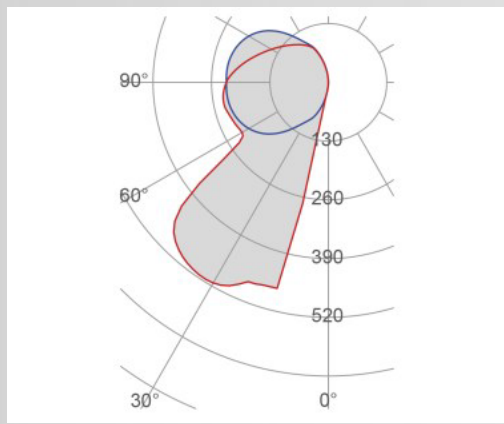
INSTALLATION

Multisize system YES
Position Wall pathmarker

PACKAGING:

Type White die-cut Box
Measures AxBxH 195x195x127mm
Gross Weight [Kg] 0.749
Master carton NO
Quantity of articles
Measures AxBxH

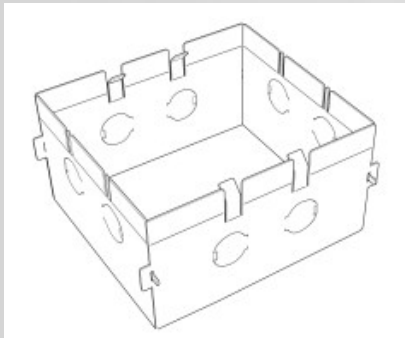
FOTOMETRIC DATA:



<i>Electrical part</i>	4001	<i>Illuminance</i>	0.3m	1609lux
<i>Power</i>	3,5W		0.5m	579lux
<i>Light Output</i>	370lm		1m	145lux
<i>Colour Temperature</i>	4000°K			
<i>CRI</i>	90			
<i>Lamp Light Output</i>	76%			
<i>Light Output of the lamp</i>	281.2lm			
<i>Beam Angle</i>	43°			
<i>Beam Inclination</i>	34°			

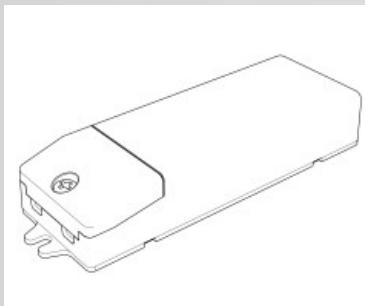
ACCESSORIES:

Housing Box for Brickwork

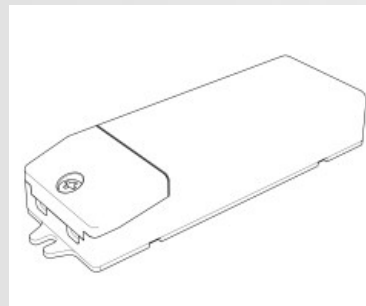


Code 023.453
Measures 155X155X50mm
Measures of the hole 185X185X60mm

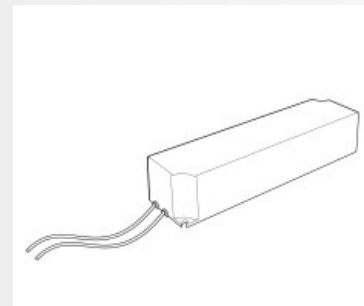
Standard Power Supply



Code 026.258
Measures 130x42x23mm
Power 12W
Input 110-277V~W
Output 24Vdc

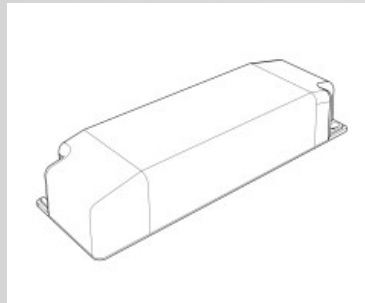


Code 026.259
Measures 167x45x30mm
Power 36W
Input 110-277V~W
Output 24Vdc

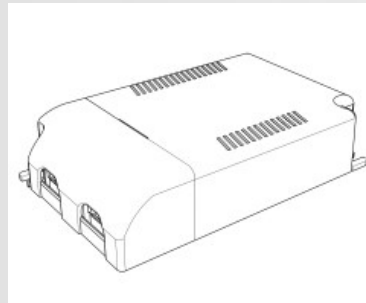


Code 026.260
Measures 157x54x36mm
Power 60W
Input 110-277V~W
Output 24Vdc

Dimmable Power Supply

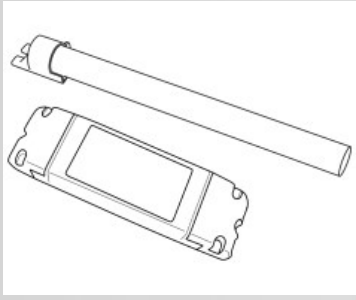


Code 026.219
Measures 155x51x26mm
Power 21.6W
Input 110-277V~W
Output 24Vdc
Dimmable PUSH/0-10V/DALI



Code 026.209
Measures 125x82x29mm
Power 60W
Input 110-277 V~W
Output 24Vdc
Dimmable PUSH/1-10V

OTHER ACCESSORIES:



Code 099.142
Description Emergency Kit
Notes