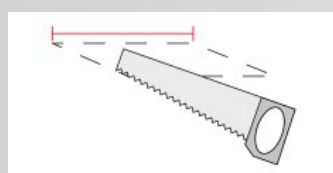
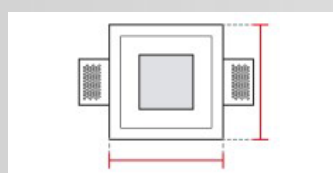


Req. space behind
the plasterboard

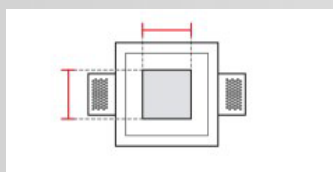
60mm(2,36")



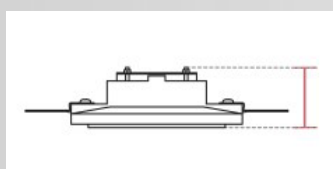
hole on the
plasterboard
155x155mm
(6,10" x 6,10")



External
measures
150x150mm
(5,90" x 5,90")

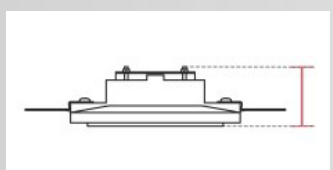


Measures of the
light output
70x70mm
(2,75" x 2,75")



Height without
electrical part

45mm(1,77")



Height including
the electrical part
50mm
(1,96")

Notes on measures

PATHMARKERS

4062-3001

Recessed Spotlight / CRISTALY

Surface finish : CRISTALY

LED 3.5W / 24Vdc / 350lm / 3000°K / CRI90

MODEL

| | |
|----------------|--------------------|
| Code | 4062 |
| Product family | Pathmarkers |
| Type | Recessed Spotlight |

MATERIAL/SURFACE FINISH:

| | |
|----------------|----------|
| Code | 004 |
| Material | CRISTALY |
| Surface finish | CRISTALY |

ELECTRICAL PART:

| | |
|--------------------------|------------------------|
| Code | 3001 |
| Type | LED |
| Power | 3.5W |
| Tension | 24Vdc |
| Light Output | 350 lm |
| Colour Temperature | 3000°K |
| CRI | 90 |
| Light Output of the lamp | 266lm |
| Dimmable | YES |
| Power Supply | by Remote Power Supply |
| Connection | 2 PVC cables |
| Cover | |

GENERAL DATA:

| | |
|-----------------------|--------------------|
| Protection Index | IP20 |
| Isolation Class | III |
| Weight [Kg] | 0.65 |
| Country of production | MADE IN ITALY |
| Mounting instruction | 025.392_9010_REV05 |

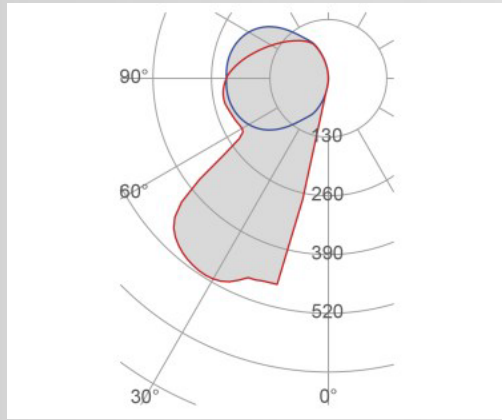
INSTALLATION

| | |
|------------------|-----------------|
| Multisize system | YES |
| Position | Wall pathmarker |

PACKAGING:

| | |
|----------------------|-------------------|
| Type | White die-cut Box |
| Measures AxBxH | 195x195x127mm |
| Gross Weight [Kg] | 0.749 |
| Master carton | NO |
| Quantity of articles | |
| Measures AxBxH | |

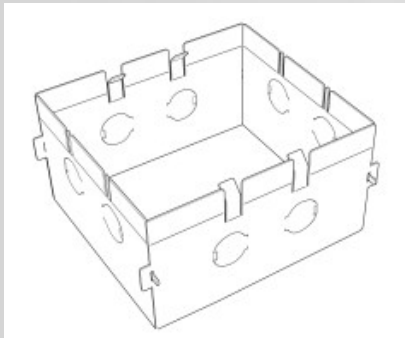
FOTOMETRIC DATA:



| | | | | |
|---------------------------------|--------|--------------------|------|---------|
| <i>Electrical part</i> | 3001 | <i>Illuminance</i> | 0.3m | 1522lux |
| <i>Power</i> | 3,5W | | 0.5m | 548lux |
| <i>Light Output</i> | 350lm | | 1m | 137lux |
| <i>Colour Temperature</i> | 3000°K | | | |
| <i>CRI</i> | 90 | | | |
| <i>Lamp Light Output</i> | 76% | | | |
| <i>Light Output of the lamp</i> | 266lm | | | |
| <i>Beam Angle</i> | 43° | | | |
| <i>Beam Inclination</i> | 34° | | | |

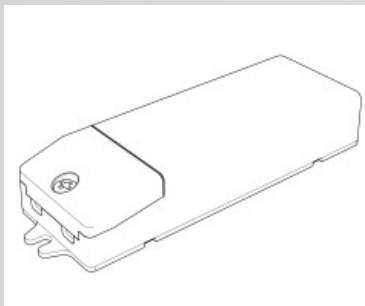
ACCESSORIES:

Housing Box for Brickwork

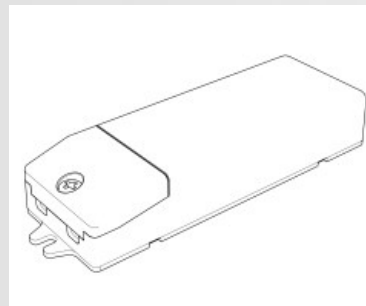


Code 023.453
Measures 155X155X50mm
Measures of the hole 185X185X60mm

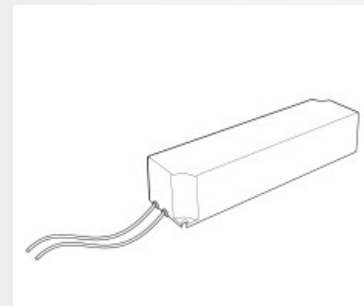
Standard Power Supply



Code 026.258
Measures 130x42x23mm
Power 12W
Input 110-277V~W
Output 24Vdc

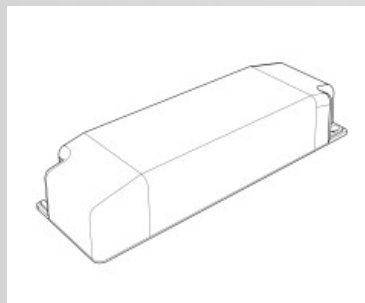


Code 026.259
Measures 167x45x30mm
Power 36W
Input 110-277V~W
Output 24Vdc

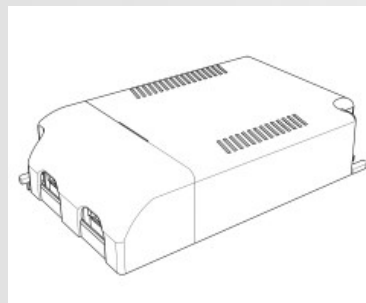


Code 026.260
Measures 157x54x36mm
Power 60W
Input 110-277V~W
Output 24Vdc

Dimmable Power Supply

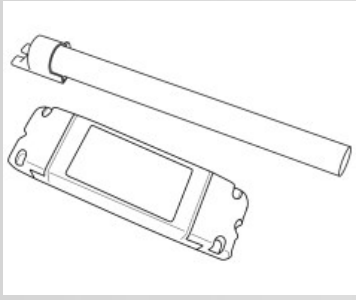


Code 026.219
Measures 155x51x26mm
Power 21.6W
Input 110-277V~W
Output 24Vdc
Dimmable PUSH/0-10V/DALI



Code 026.209
Measures 125x82x29mm
Power 60W
Input 110-277 V~W
Output 24Vdc
Dimmable PUSH/1-10V

OTHER ACCESSORIES:



Code 099.142
Description Emergency Kit
Notes