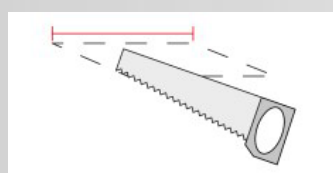
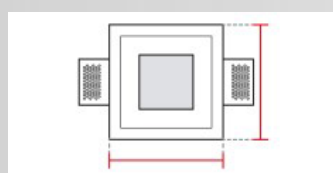


Req. space behind  
the plasterboard

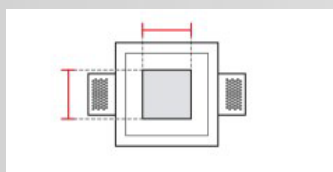
60mm(2,36")



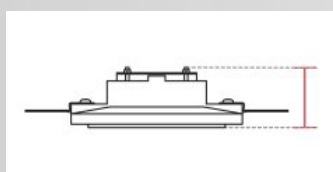
hole on the  
plasterboard  
155x155mm  
(6,10" x 6,10")



External  
measures  
150x150mm  
(5,90" x 5,90")

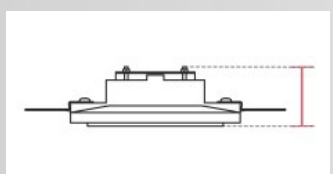


Measures of the  
light output  
70x70mm  
(2,75" x 2,75")



Height without  
electrical part

45mm(1,77")



Height including  
the electrical part  
50mm  
(1,96")

Notes on measures

**PATHMARKERS  
4062-2701**

Recessed Spotlight / CRISTALY

Surface finish : CRISTALY

LED 3.5W / 24Vdc / 330lm / 2700°K / CRI90

**MODEL:**

Code	4062
Product family	Pathmarkers
Type	Recessed Spotlight

**MATERIAL/SURFACE FINISH:**

Code	004
Material	CRISTALY
Surface finish	CRISTALY

**ELECTRICAL PART:**

Code	2701
Type	LED
Power	3.5W
Tension	24Vdc
Light Output	330 lm
Colour Temperature	2700°K
CRI	90
Light Output of the lamp	250.8lm
Dimmable	YES
Power Supply	by Remote Power Supply
Connection	2 PVC cables
Cover	

**GENERAL DATA:**

Protection Index	IP20
Isolation Class	III
Weight [Kg]	0.65
Country of production	MADE IN ITALY
Mounting instruction	025.392_9010_REV05

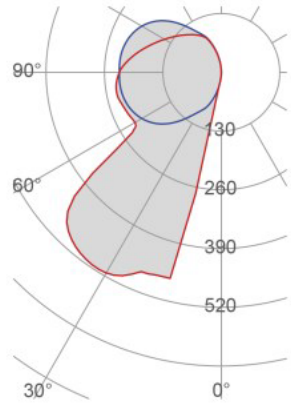
**INSTALLATION**

Multisize system	YES
Position	Wall pathmarker

**PACKAGING:**

Type	White die-cut Box
Measures AxBxH	195x195x127mm
Gross Weight [Kg]	0.749
Master carton	NO
Quantity of articles	
Measures AxBxH	

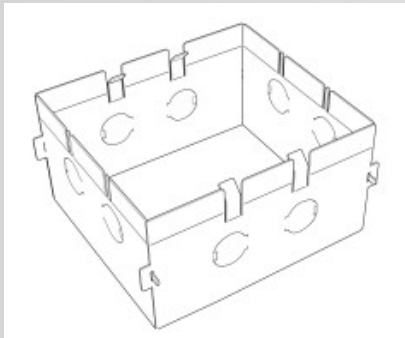
**FOTOMETRIC DATA:**



<i>Electrical part</i>	2701	<i>Illuminance</i>	0.3m	1435lux
<i>Power</i>	3,5W		0.5m	517lux
<i>Light Output</i>	330lm		1m	129lux
<i>Colour Temperature</i>	2700°K			
<i>CRI</i>	90			
<i>Lamp Light Output</i>	76%			
<i>Light Output of the lamp</i>	250,8lm			
<i>Beam Angle</i>	43°			
<i>Beam Inclination</i>	34°			

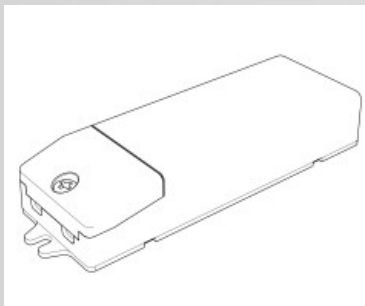
**ACCESSORIES**

*Housing Box for Brickwork*

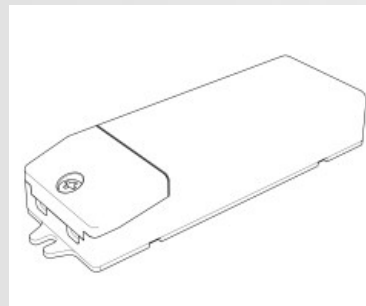


*Code* 023.453  
*Measures* 155X155X50mm  
*Measures of the hole* 185X185X60mm

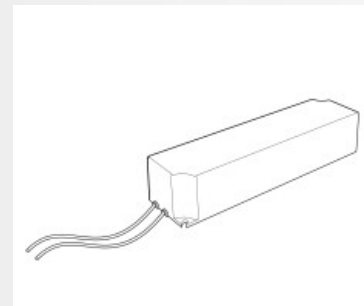
*Standard Power Supply*



*Code* 026.258  
*Measures* 130x42x23mm  
*Power* 12W  
*Input* 110-277V~W  
*Output* 24Vdc

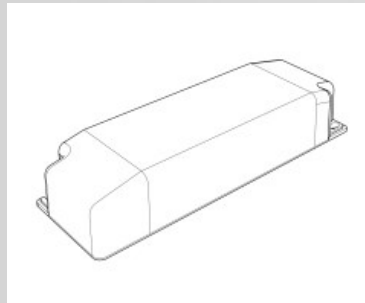


*Code* 026.259  
*Measures* 167x45x30mm  
*Power* 36W  
*Input* 110-277V~W  
*Output* 24Vdc

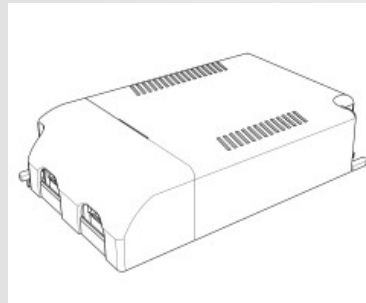


*Code* 026.260  
*Measures* 157x54x36mm  
*Power* 60W  
*Input* 110-277V~W  
*Output* 24Vdc

*Dimmable Power Supply*

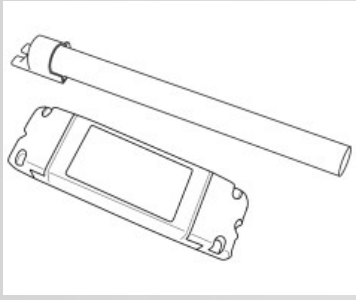


*Code* 026.219  
*Measures* 155x51x26mm  
*Power* 21.6W  
*Input* 110-277V~W  
*Output* 24Vdc  
*Dimmable* PUSH/0-10V/DALI



*Code* 026.209  
*Measures* 125x82x29mm  
*Power* 60W  
*Input* 110-277 V~W  
*Output* 24Vdc  
*Dimmable* PUSH/1-10V

**OTHER ACCESSORIES:**



Code            099.142  
Description    Emergency Kit  
Notes