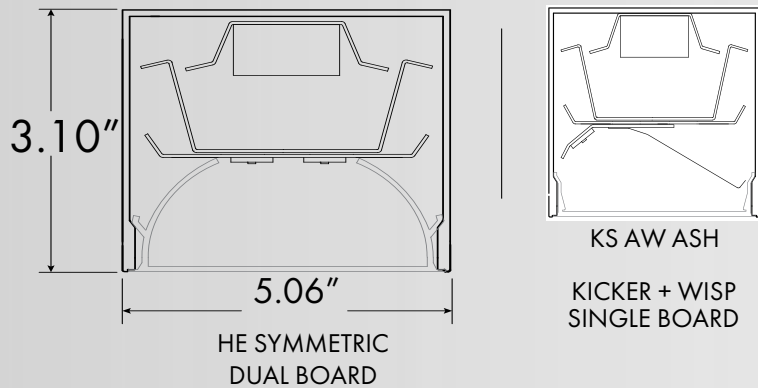


B5
Lines of light for Outdoor/ Wall/Ceiling/Outdoor

Anodized aluminium profile for outdoor and indoor applications with resin-protected LED source and adjustable accessories. LED profiles come wired and complete with power supply. Our products can be customized according to the specifications of each individual project.

GENERAL INFORMATION:



| | |
|------------------------|-----------------------------|
| Voltage: | 24 Vdc |
| Dimmable: | On request |
| Operating temperature: | min -20°C / max +50°C |
| Materials: | Aluminium and polycarbonate |
| Lenght: | Custom |
| Voltage: | 110-277V |

| OUTPUT: | CODE: | NOMINAL LUMEN OUTPUT: | INPUT WATTS: | EFFICACY: |
|-----------|-------|-----------------------|--------------|-----------|
| Very High | B5 11 | 1720 lm/ft | 19 W/ft | 91 lm/W |
| High | B5 12 | 864 lm/ft | 9.5 W/ft | 91 lm/W |
| | B5 13 | 725 lm/ft | 9.5 W/ft | 76 lm/W |
| Standard | B5 14 | 435 lm/ft | 4.75 W/ft | 92 lm/W |
| | B5 15 | 364 lm/ft | 4.75 W/ft | 77 lm/W |

Custom tuned output available. Please consult factory for available custom lumen output and wattage.

LED CCT:

FF. 3000K OM. 3500K GK. 4000K

APPLICATION ENVIRONMENT:

HV. Indoor TL. Outdoor

APPLICATION INSTALLATION TYPE:

VP. Surface-mounted RK. Semi-recessed surface-mounted SU. Recessed applications
t-bar drop ceiling Upon Request* VT. 1/2" Trim Flange

AVAILABLE FINISH:

Body:



HOW TO ORDER:

PRODUCT CODE/LED CCT/APP.ENVIRONMENT/INSTALLATION/FINISH For Example: B5 11/FF/HV/RK/05

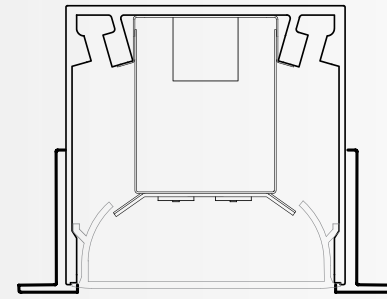




MOUNTING TRIM FLANGE:

Common recessed mounting options available. Contact factory for applications regarding modified recessed mounting conditions. Flush Gypsum Flange. Raw aluminum flange is attached to blocking (by others), then mudded over and/or painted by installing contractor to provide a "flangeless" fixture appearance in recessed ceiling/wall applications.

Trim Flange. 1/2" wide visible powder coated flange, specify finish requirement. Fixture is mounted to structure using threaded rod (by others) or ceiling tie wires (provided). Use of a-clamp™ secures fixture trim and housing around ceiling/wall material. Use for any gypsum or hard ceiling/wall that requires a minimal flange covering the ceiling cut-out edge.



(VT.) Trim Flange