

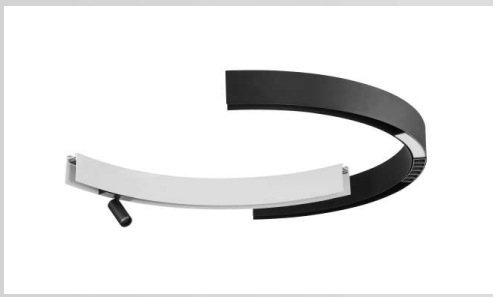
GENERAL DATA:

BYIBA CURVY magnetic track is a minimalistic track lighting solution that connects and powers its LED heads via a magnetic core. The design of the 24-volt system not only ensures a reliable and safe connection between each fixture to the track, it allows for ease in the relocation of each-at any time.



TYPE OF TRACKS AND MODULES:

Note*: detailed information provided on next pages



Curvy Surface Track
page 2-4



DOT series
track heads
page 5-6



Curvy Pendant Track
page 2-4



Linear series
track heads
page 7



Pendant series
track heads
page 9-10



Spot series
track heads
page 11-15



Global series
track heads
page 8

ACCESSORIES page 16

sales@gordonbullard.com
www.cerchiolighting.com
1 877-964-4646



991 South Gull Lake Dr
Richland, MI 49083, USA
1 877-964-4646

CURVY HALF TRACK

The ultimate in modern aesthetics. It isn't just about track rail, it's also about creating unique lighting configurations. Thanks to NEW Curvy Tracks the geometrical possibilities really are endless.

Even after installation, the magnetic track rails mean you can change the lighting configuration. Whenever and however you want.

GENERAL SPECIFICATIONS:

Article Code:	Track CURVY 1/2 D9
Colour:	Black/White/Bronze/Gold
Environment:	Indoor
Material:	Aluminum
Connection:	Terminal
Input Voltage:	24Vdc
Input Current:	8A Max
Power:	200W max
NOTE*:	Surface mounted kits, 2 End caps included

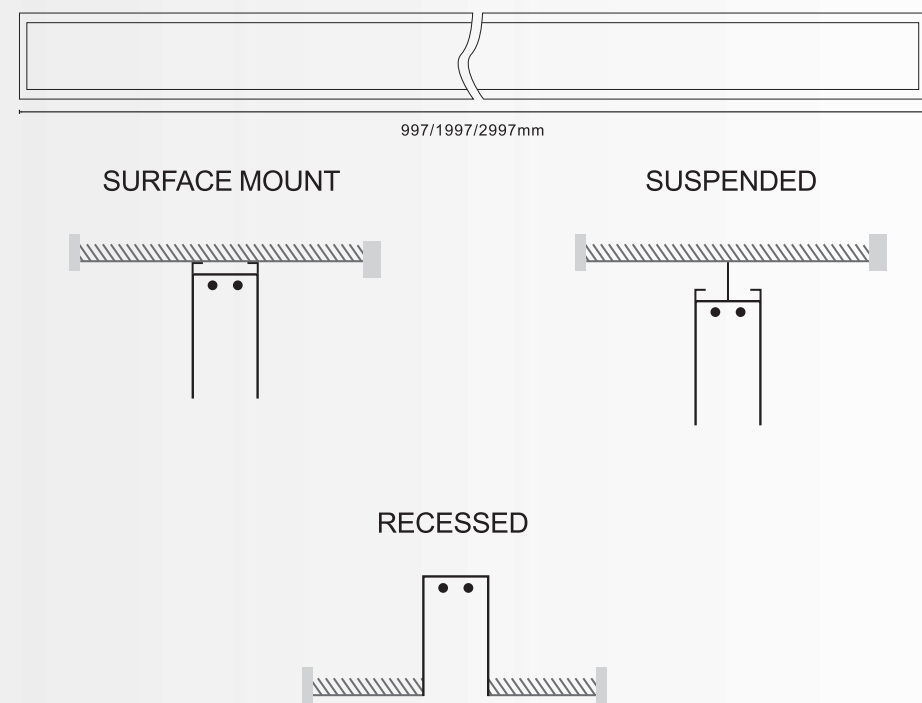
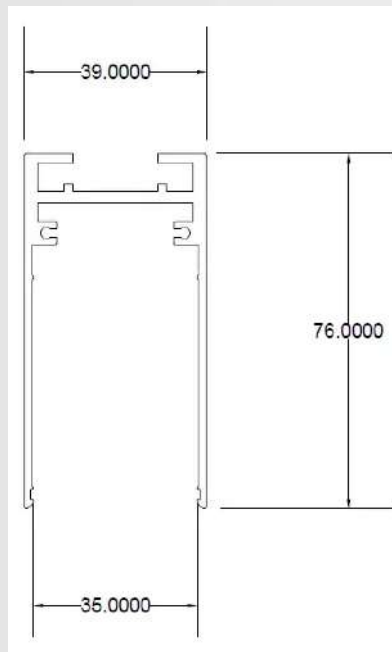
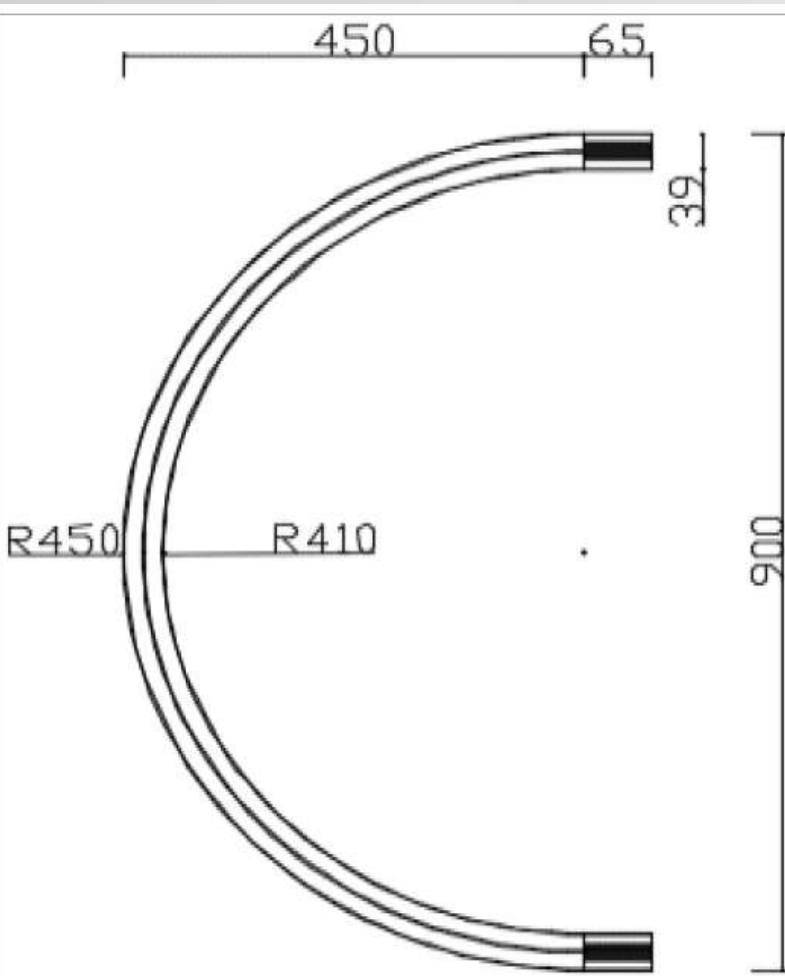
DIMENSIONS:

Ø900mm(35,43") x 39mm(1,53") x 76mm(2,99")

INSTALLATION:

surface/pendant/recessed

TECHNICAL DRAWING:



ALL THE TRACKS AND TRACK HEADS ARE AVAILABLE IN CUSTOM PAINTED FINISHES: GOLD, BRONZE, WOODEN, RAL*

sales@gordonbullard.com
www.cerchiolighting.com
1 877-964-4646



991 South Gull Lake Dr
Richland, MI 49083, USA
1 877-964-4646

CURVY QUARTER TRACK

The ultimate in modern aesthetics. It isn't just about track rail, it's also about creating unique lighting configurations. Thanks to NEW Curvy Tracks the geometrical possibilities really are endless.

Even after installation, the magnetic track rails mean you can change the lighting configuration. Whenever and however you want.

GENERAL SPECIFICATIONS:

Article Code:	Track CURVY 1/4 D9
Colour:	Black/White/Bronze/Gold
Environment:	Indoor
Material:	Aluminum
Connection:	Terminal
Input Voltage:	24Vdc
Input Current:	8A Max
Power:	200W max
NOTE*:	Surface mounted kits, 2 End caps included

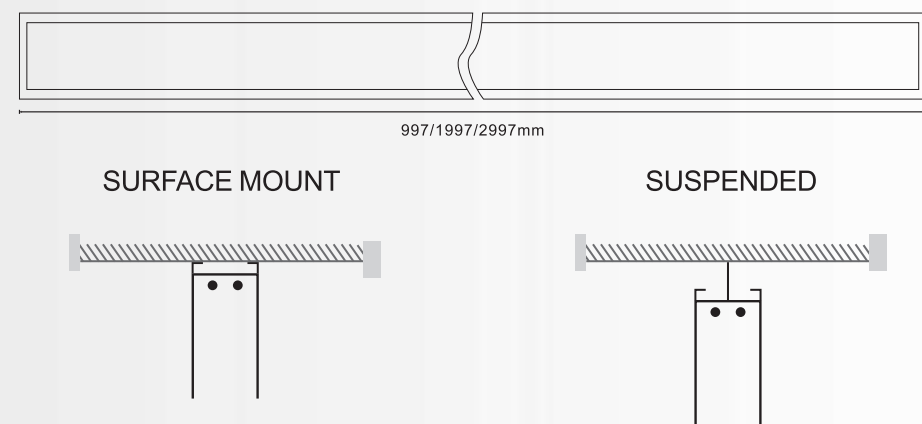
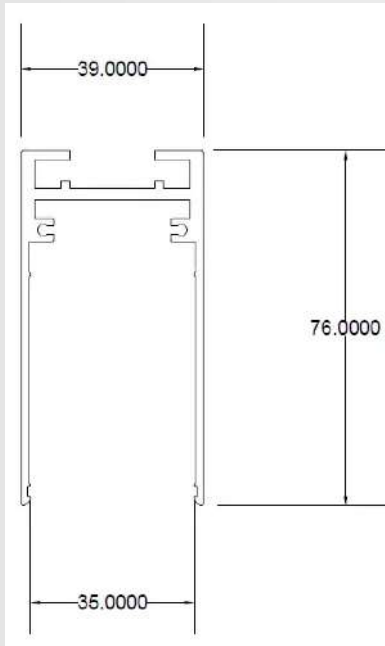
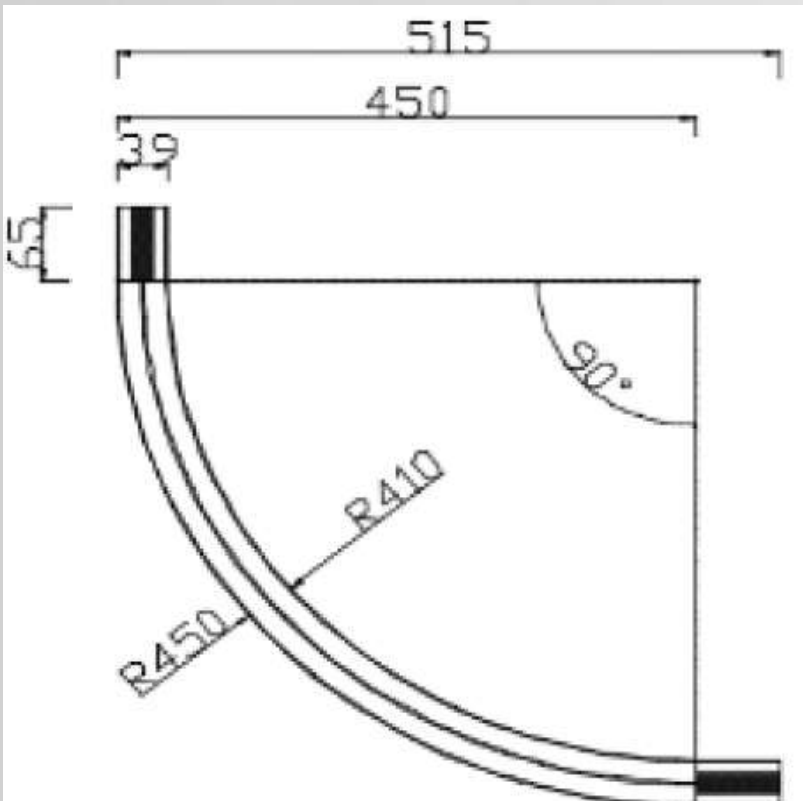
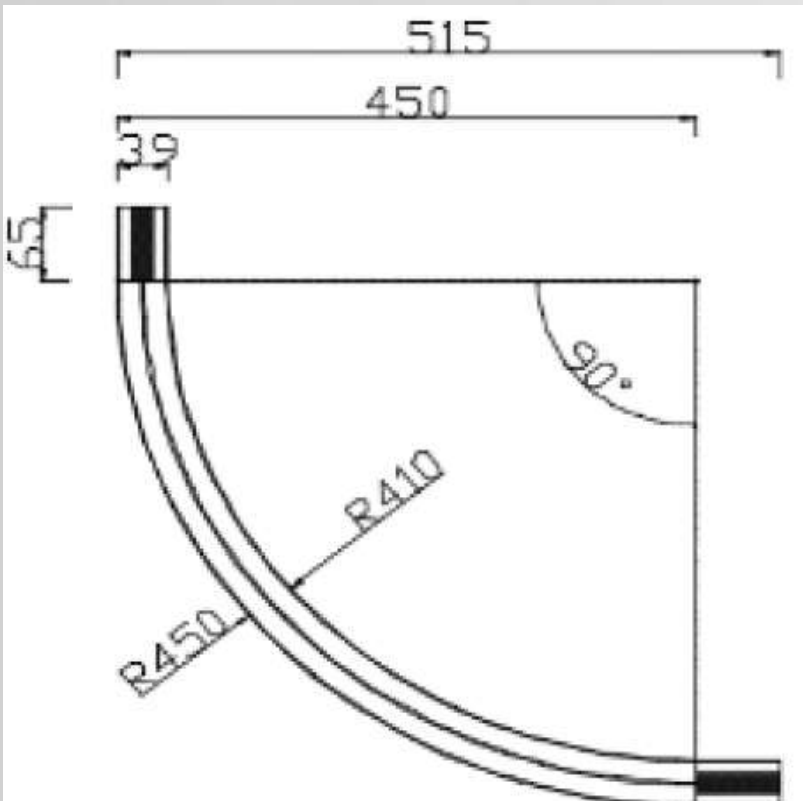
DIMENSIONS:

450mm(17,71") x 39mm(1,53") x 76mm(2,99")

INSTALLATION:

surface/pendant

TECHNICAL DRAWING:



ALL THE TRACKS AND TRACK HEADS ARE AVAILABLE IN CUSTOM PAINTED FINISHES: GOLD, BRONZE, WOODEN, RAL *



CURVY ONE EIGHTS TRACK

The ultimate in modern aesthetics. It isn't just about track rail, it's also about creating unique lighting configurations. Thanks to NEW Curvy Tracks the geometrical possibilities really are endless.

Even after installation, the magnetic track rails mean you can change the lighting configuration. Whenever and however you want.

GENERAL SPECIFICATIONS:

Article Code:	Track CURVY 1/8 D9
Colour:	Black/White/Bronze/Gold
Environment:	Indoor
Material:	Aluminum
Connection:	Terminal
Input Voltage:	24Vdc
Input Current:	8A Max
Power:	200W max
NOTE*:	Surface mounted kits, 2 End caps included

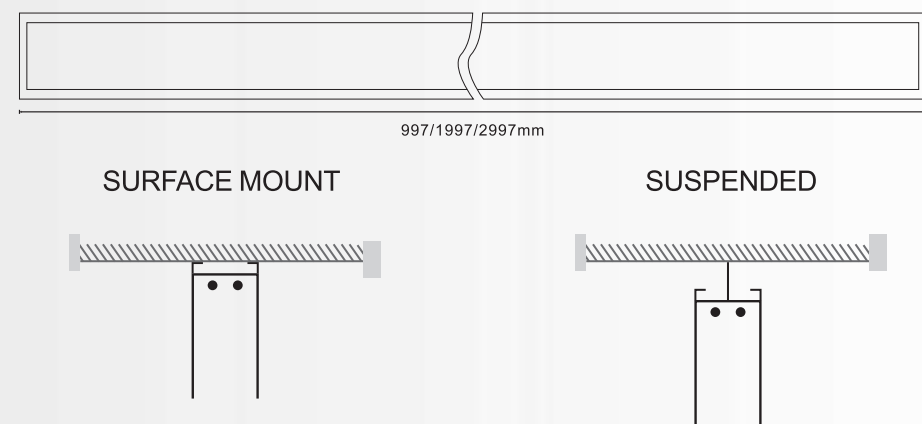
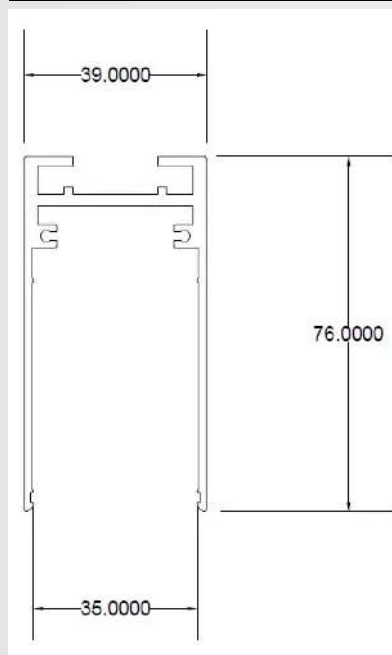
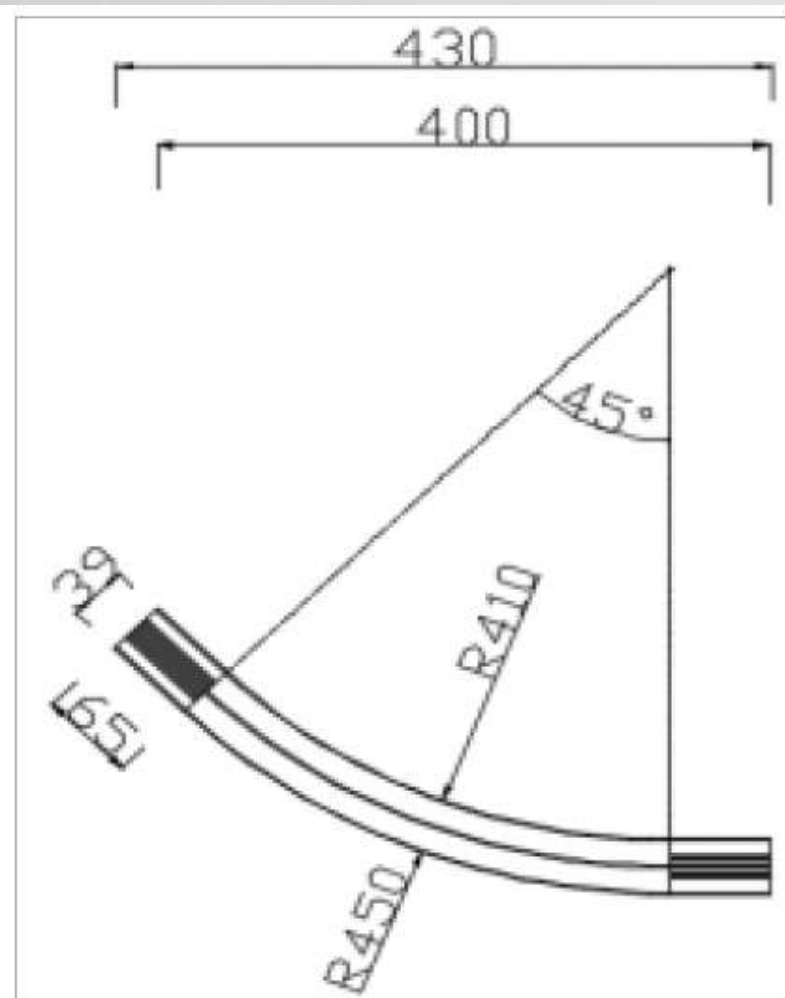
DIMENSIONS:

400mm(15,74") x 39mm(1,53") x 76mm(2,99")

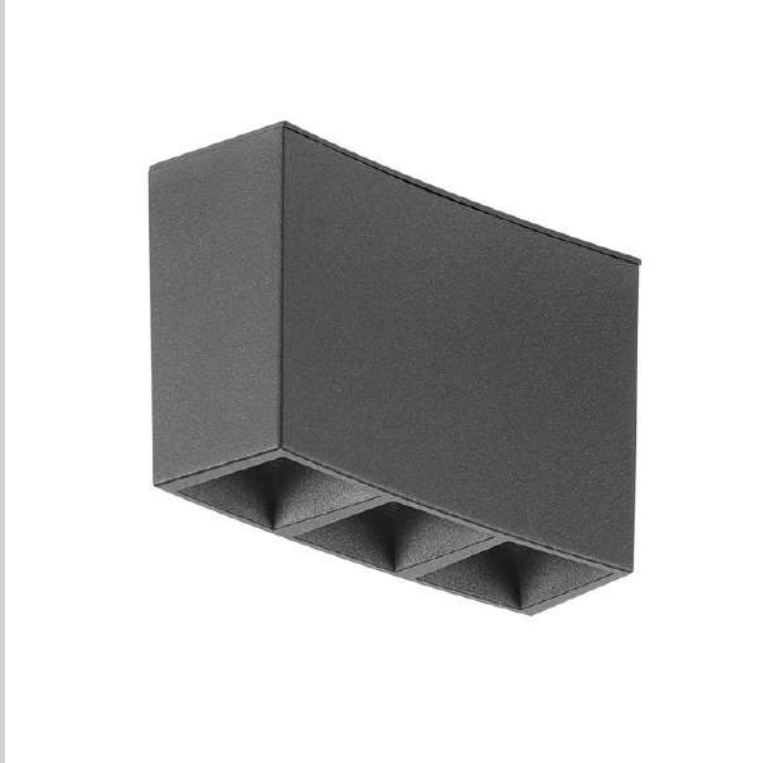
INSTALLATION:

surface/pendant

TECHNICAL DRAWING:



ALL THE TRACKS AND TRACK HEADS ARE AVAILABLE IN CUSTOM PAINTED FINISHES: GOLD, BRONZE, WOODEN, RAL*



DOT3 D9 TRACK HEAD

The best present for the concept of invisible source
Comfortable lighting without glare

GENERAL SPECIFICATIONS:

Number of heads:	3
Lamp category:	LED
Power:	4W
CCT:	2700K/3000K/4000K/5000 K
CRI:	80/90
Lumen(lm):	280
Mountings:	Magnetic Track
Environment:	Indoor

OPTICAL:

Lighting type:	Direct
LED type:	LED
Lighting distribution:	Symmetric
Optical type:	Spot
Beam angle(°)	12/34/48

ELECTRICAL:

Voltage(V):	24
Dimmable:	Yes
Driver:	Remote
Driver type:	Electronic
Emergency:	Without
Insulation class:	III

PHYSICAL:

Color:	Black RAL9005/white RAL9003
Orientation:	No
Weight(kg)	0,15

DIMENSIONS:

84mm(3,30") x 34mm(1,33") x 55,5mm(2,18")

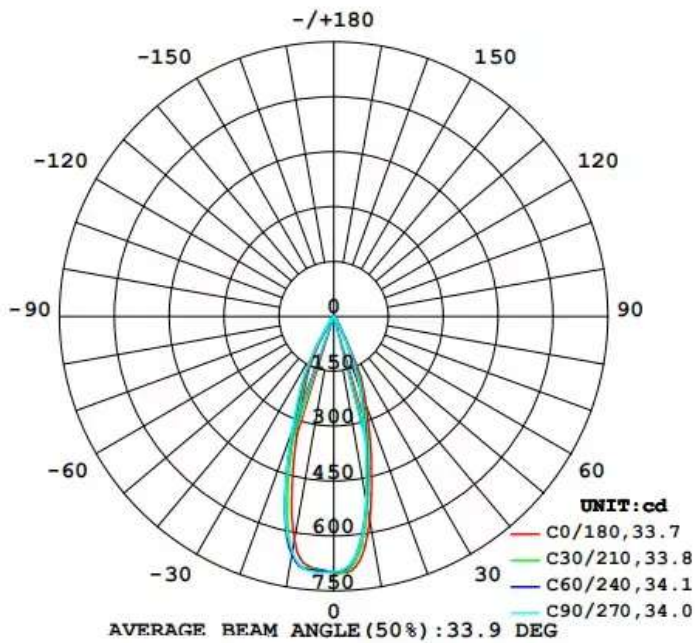
BEAM ANGLE 34°:

h(m)	E(lx)	D(m)
1	517	0.61
2	129	1.23
3	57	1.85
4	32	2.47
5	20	30.90

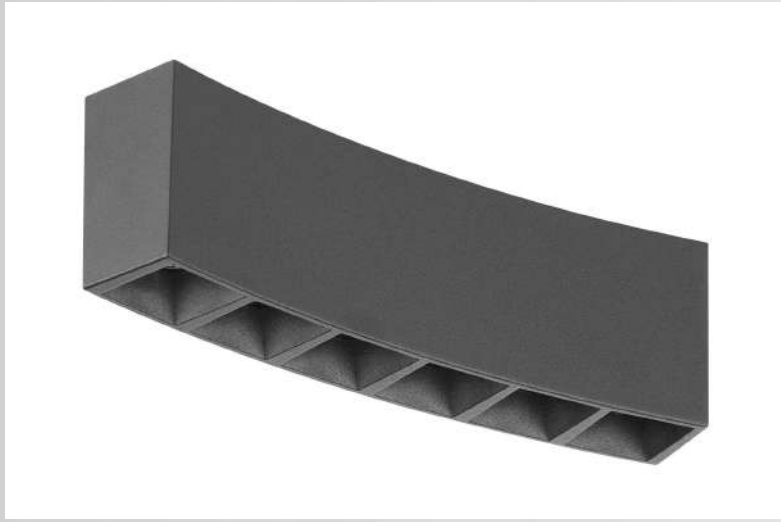


SCHEMATIC LIGHT DRAWING:

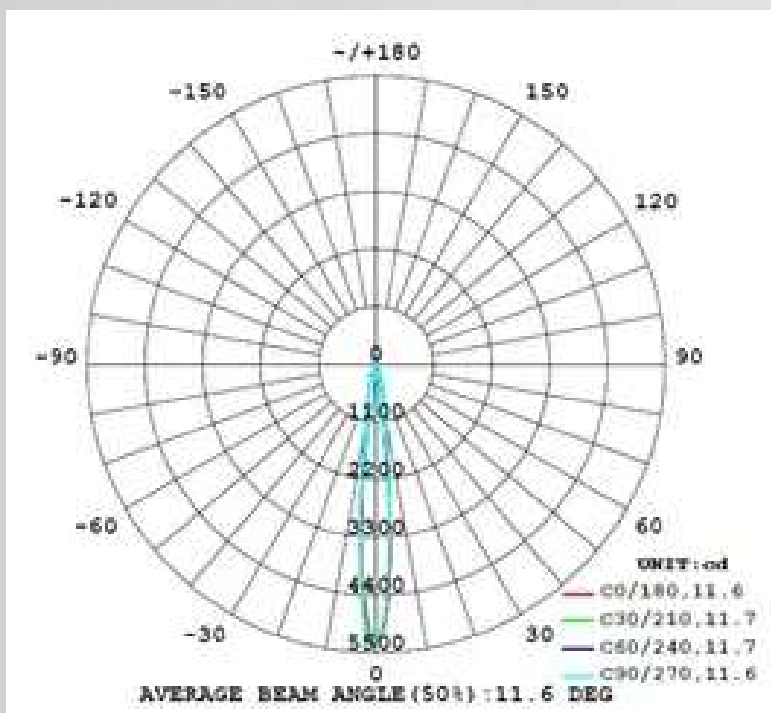
LUMINOUS INTENSITY DISTRIBUTION DIAGRAM



ALL THE TRACKS AND TRACK HEADS ARE AVAILABLE IN CUSTOM PAINTED FINISHES: GOLD, BRONZE, WOODEN, RAL*



SCHEMATIC LIGHT DRAWING:



DOT 06-D9 TRACK HEAD

The best present for the concept of invisible source
 Comfortable lighting without glare

GENERAL SPECIFICATIONS:

Number of heads:	6
Lamp category:	LED
Power:	8W
CCT:	2700K/3000K/4000K/5000 K
CRI:	80/90
Lumen(lm):	511
Mountings:	Magnetic Track
Environment:	Indoor

OPTICAL:

Lighting type:	Direct
LED type:	SMD LED
Lighting distribution:	Symmetric
Optical type:	Spot
Beam angle(°)	12/34/48

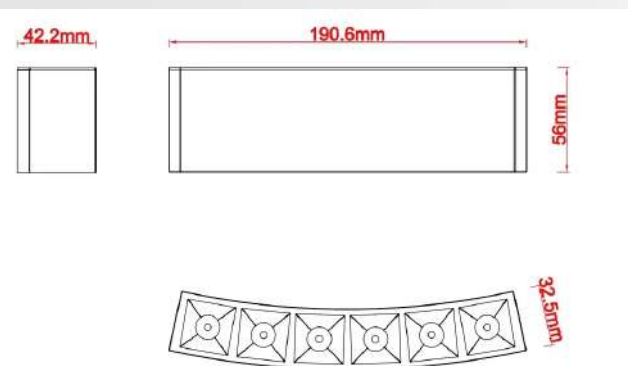
ELECTRICAL:

Voltage(V):	24
Dimmable:	Yes
Driver:	Remote
Driver type:	Electronic
Emergency:	Without
Insulation class:	III

PHYSICAL:

Color:	Black RAL9005/white RAL9003
Orientation:	No
Weight(kg)	0,285

TECHNICAL DRAWING:

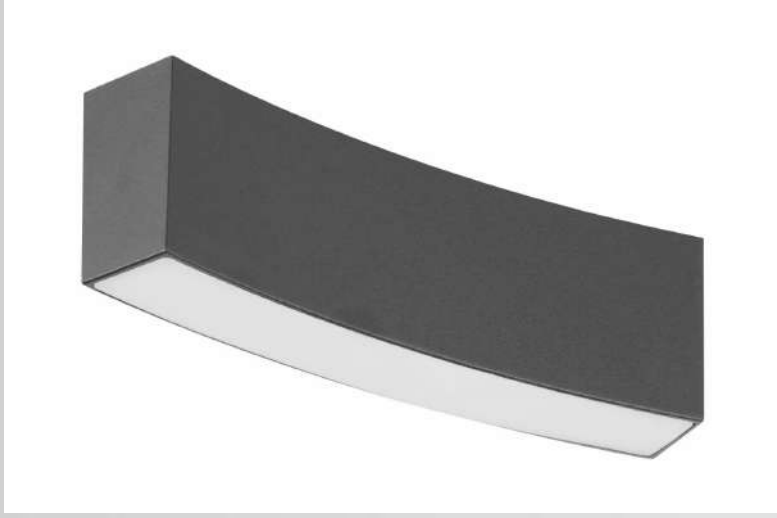


BEAM ANGLE 12°:

h(m)	E(lx)	D(m)
1	3722	0.20
2	930	0.40
3	413	0.60
4	232	0.81
5	148	1.01

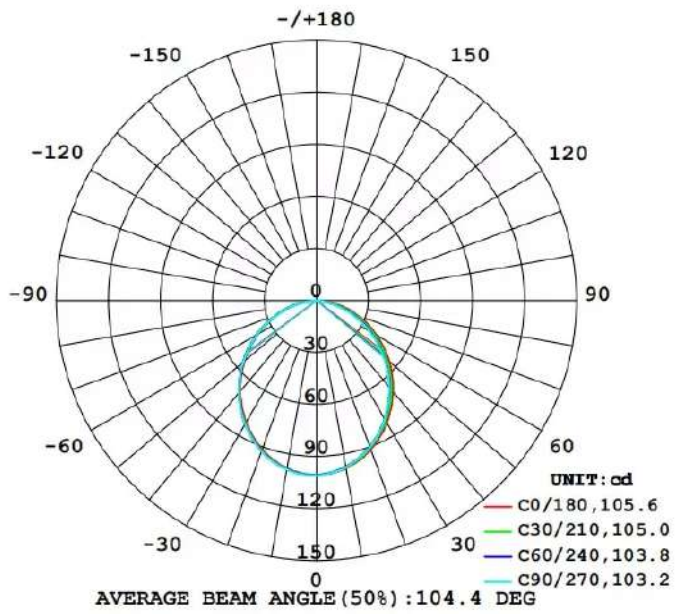


ALL THE TRACKS AND TRACK HEADS ARE AVAILABLE IN CUSTOM PAINTED FINISHES: GOLD, BRONZE, WOODEN, RAL*



SCHEMATIC LIGHT DRAWING:

LUMINOUS INTENSITY DISTRIBUTION DIAGRAM



LINEAR 16-D9 TRACKHEAD

Opal lighting for general use and outlining. Average lighting on opal cover. Average performance within different length. External dimming interface with Triac, 0/1-10V, Dali

GENERAL SPECIFICATIONS:

Lamp category:	LED
Power:	7W
CCT:	2700K/3000K/4000K/5000 K
CRI:	80/90
Lumen(lm):	262
Mountings:	Magnetic Track
Environment:	Indoor

OPTICAL:

Lighting type:	Direct
LED type:	SMD LED
Lighting distribution:	Symmetric
Optical type:	Diffuse

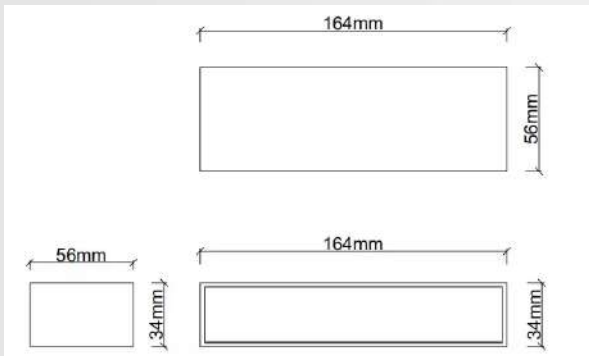
ELECTRICAL:

Voltage(V):	24
Dimmable:	Yes
Driver:	Remote
Driver type:	Electronic
Emergency:	Without
Insulation class:	III

PHYSICAL:

Color:	Black RAL9005/white RAL9003
Orientation:	No
Weight(kg)	0.27

TECHNICAL DRAWING:



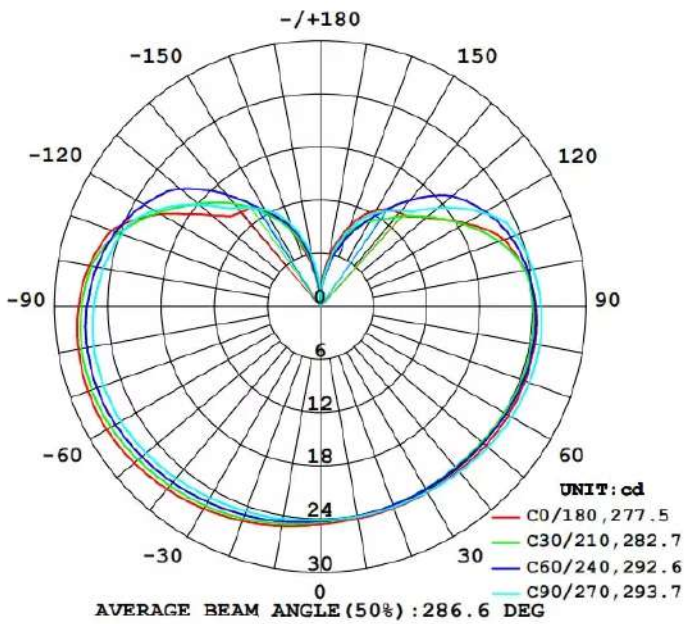
h(m)	E(lx)	D(m)
1	34	2.50
2	8	5.00
3	3	7.50
4	2	10.00
5	1	12.00

ALL THE TRACKS AND TRACK HEADS ARE AVAILABLE IN CUSTOM PAINTED FINISHES: GOLD, BRONZE, WOODEN, RAL*



SCHEMATIC LIGHT DRAWING:

LUMINOUS INTENSITY DISTRIBUTION DIAGRAM



GLOBAL D9 TRACK HEAD

Glass sphere with smooth light output. Invisible stand make the globe stick to the line
External dimming interface with Triac, 0/1-10V, Dali

GENERAL SPECIFICATIONS:

Lamp category:	LED
Power:	5W
CCT:	2700K/3000K/4000K/5000K
CRI:	80/90
Lumen(lm):	278
Mountings:	Magnetic Track
Environment:	Indoor

OPTICAL:

Lighting type:	Direct
LED type:	SMD LED
Lighting distribution:	Symmetric
Optical type:	Diffuse

ELECTRICAL:

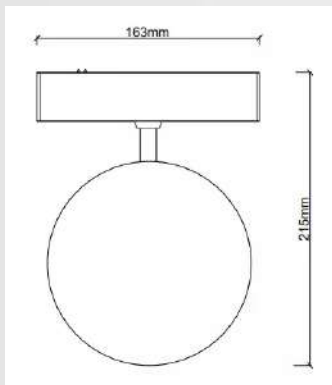
Voltage(V):	24
Dimmable:	Yes
Driver:	Remote
Driver type:	Electronic
Emergency:	Without
Insulation class:	III

PHYSICAL:

Color:	Black RAL9005/white RAL9003
Orientation:	No
Weight(kg)	0.62

TECHNICAL DRAWING:

GLOBE DIAMETER: Ø150mm(5,90")



h(m)	E(lx)	D(m)
1	14	2.00
2	3.6	4.00
3	1.6	6.00
4	0.9	8.00
5	0.57	10.00

ALL THE TRACKS AND TRACK HEADS ARE AVAILABLE IN CUSTOM PAINTED FINISHES: GOLD, BRONZE, WOODEN, RAL*



PENDANT 35-R-D9 TRACKHEAD

Minimal glare and multiple light beams. Elegant body coating and antiglare cover
External dimming interface with Triac, 0/1-10V, Dali

GENERAL SPECIFICATIONS:

Number of heads:	1
Lamp category:	LED
Power:	5W
CCT:	2700K/3000K/4000K/5000K
CRI:	80/90
Lumen(lm):	378
Mountings:	Magnetic Track
Environment:	Indoor

OPTICAL:

Lighting type:	Direct
LED type:	SMD LED
Lighting distribution:	Symmetric
Optical type:	Spot
Beam angle(°):	18/24/36

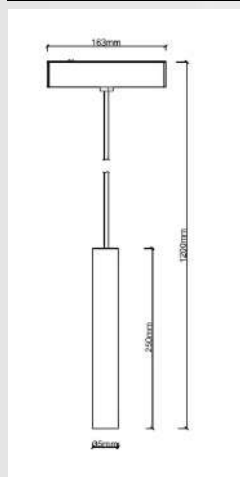
ELECTRICAL:

Voltage(V):	24
Dimmable:	Yes
Driver:	Remote
Driver type:	Electronic
Emergency:	Without
Insulation class:	III

PHYSICAL:

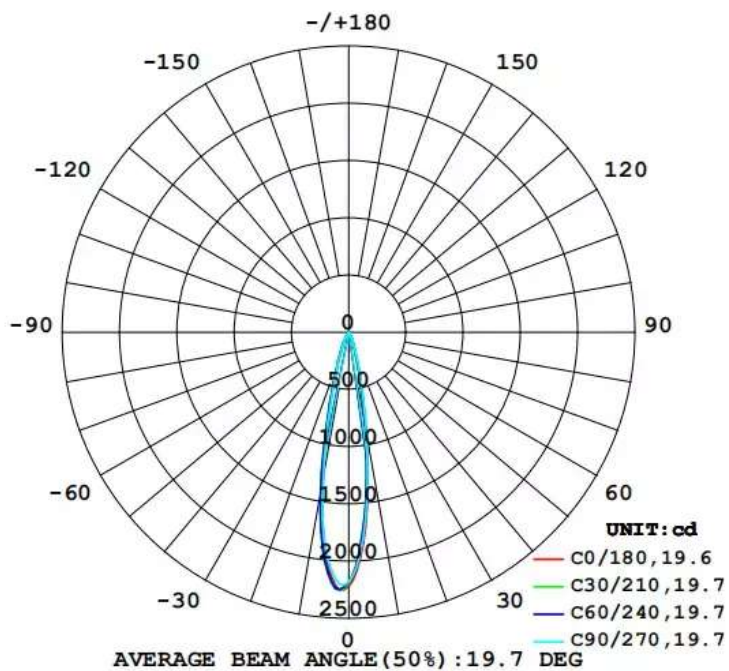
Color:	Black RAL9005/white RAL9003
Orientation:	No
Weight(kg)	0.62

TECHNICAL DRAWING:



SCHEMATIC LIGHT DRAWING:

LUMINOUS INTENSITY DISTRIBUTION DIAGRAM



Beam Angle 20°:

h(m)	E(lx)	D(m)
1	385	0.66
2	171	1.00
3	125	1.16
4	96	1.33
5	76	1.50



ALL THE TRACKS AND TRACK HEADS ARE AVAILABLE IN CUSTOM PAINTED FINISHES: GOLD, BRONZE, WOODEN, RAL*

sales@gordonbullard.com
www.cerchiolighting.com
1 877-964-4646



991 South Gull Lake Dr
Richland, MI 49083, USA
1 877-964-4646



PENDANT 50-R-D9 TRACKHEAD

Minimal glare and multiple light beams. Elegant body coating and antiglare cover
External dimming interface with Triac, 0/1-10V, Dali

GENERAL SPECIFICATIONS:

Number of heads:	1
Lamp category:	LED
Power:	10W
CCT:	2700K/3000K/4000K/5000K
CRI:	80/90
Lumen(lm):	692
Mountings:	Magnetic Track
Environment:	Indoor

OPTICAL:

Lighting type:	Direct
LED type:	SMD LED
Lighting distribution:	Symmetric
Optical type:	Spot
Beam angle(°):	18/24/36

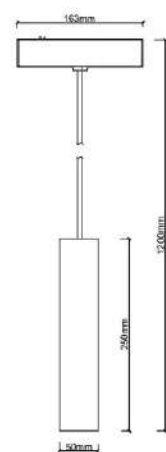
ELECTRICAL:

Voltage(V):	24
Dimmable:	Yes
Driver:	Remote
Driver type:	Electronic
Emergency:	Without
Insulation class:	III

PHYSICAL:

Color:	Black RAL9005/white RAL9003
Orientation:	No
Weight(kg)	0.65

TECHNICAL DRAWING:



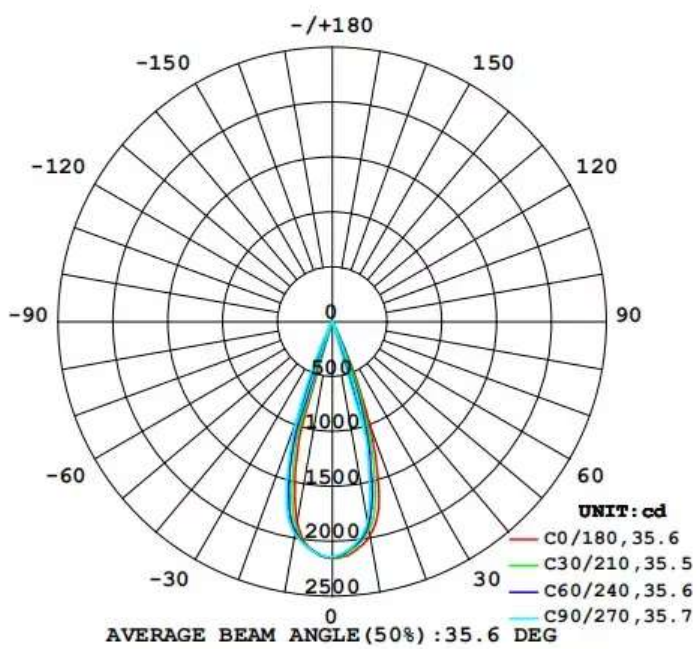
Beam Angle 36°:

h(m)	E(lx)	D(m)
1	1538	0.64
2	384	1.28
3	170	1.92
4	96	2.56
5	61	3.21

ALL THE TRACKS AND TRACK HEADS ARE AVAILABLE IN CUSTOM PAINTED FINISHES: GOLD, BRONZE, WOODEN, RAL*

SCHEMATIC LIGHT DRAWING:

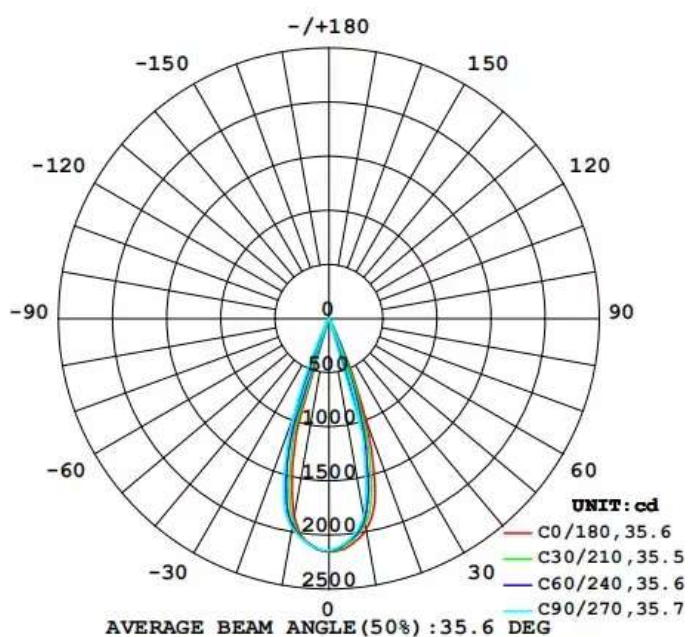
LUMINOUS INTENSITY DISTRIBUTION DIAGRAM





SCHEMATIC LIGHT DRAWING:

LUMINOUS INTENSITY DISTRIBUTION DIAGRAM



SPOT 35-T-D9 TRACKHEAD

The spot light with three different beam angles each, obtained by means of refractive or hybrid optical units. Junction arm integrated in the spotlights body to keep the barycentre aligned with the track and prevent any imbalance in possible suspension versions of track.

The junction allows 360° rotation.

External dimming interface with Triac, 0/1-10V, Dali.

GENERAL SPECIFICATIONS:

Number of heads:	2
Lamp category:	LED
Power:	2x5W
CCT:	2700K/3000K/4000K/5000K
CRI:	80/90
Lumen(lm):	700
Mountings:	Magnetic Track
Environment:	Indoor

OPTICAL:

Lighting type:	Direct
LED type:	SMD LED
Lighting distribution:	Symmetric
Optical type:	Spot
Beam angle(°):	20/30/40/60

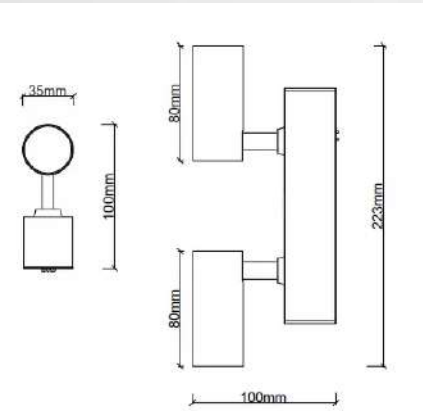
ELECTRICAL:

Voltage(V):	24
Dimmable:	Yes
Driver:	Remote
Driver type:	Electronic
Emergency:	Without
Insulation class:	III

PHYSICAL:

Color:	Black RAL9005/white RAL9003
Orientation:	No
Weight(kg):	0.55

TECHNICAL DRAWING:



Beam Angle 20°: (Info for one head)

h(m)	E(lx)	D(m)
1	385	0.66
2	171	1.00
3	125	1.16
4	96	1.33
5	76	1.50



ALL THE TRACKS AND TRACK HEADS ARE AVAILABLE IN CUSTOM PAINTED FINISHES: GOLD, BRONZE, WOODEN, RAL*



SPOT 50 D-9 TRACK HEAD

The spot light with three different beam angles each, obtained by means of refractive or hybrid optical units. Junction arm integrated in the spotlights body to keep the barycentre aligned with the track and prevent any imbalance in possible suspension versions of track.

The junction allows 360° rotation.

External dimming interface with Triac,0/1-10V,Dali.

GENERAL SPECIFICATIONS:

Number of heads:	1
Lamp category:	LED
Power:	10W
CCT:	2700K/3000K/4000K/5000K
CRI:	80/90
Lumen(lm):	700
Mountings:	Magnetic Track
Environment:	Indoor

OPTICAL:

Lighting type:	Direct
LED type:	SMD LED
Lighting distribution:	Symmetric
Optical type:	Spot
Beam angle(°):	18/24/36

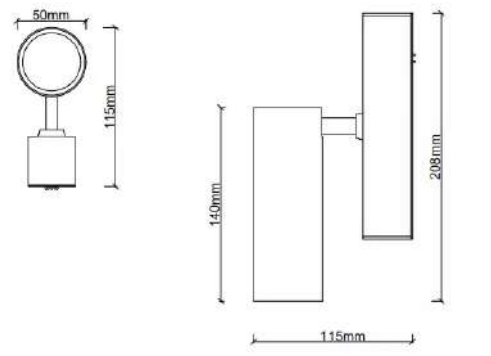
ELECTRICAL:

Voltage(V):	24
Dimmable:	Yes
Driver:	Remote
Driver type:	Electronic
Emergency:	Without
Insulation class:	III

PHYSICAL:

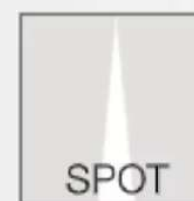
Color:	Black RAL9005/white RAL9003
Orientation:	No
Weight(kg)	0.475

TECHNICAL DRAWING:



Beam Angle 36°:

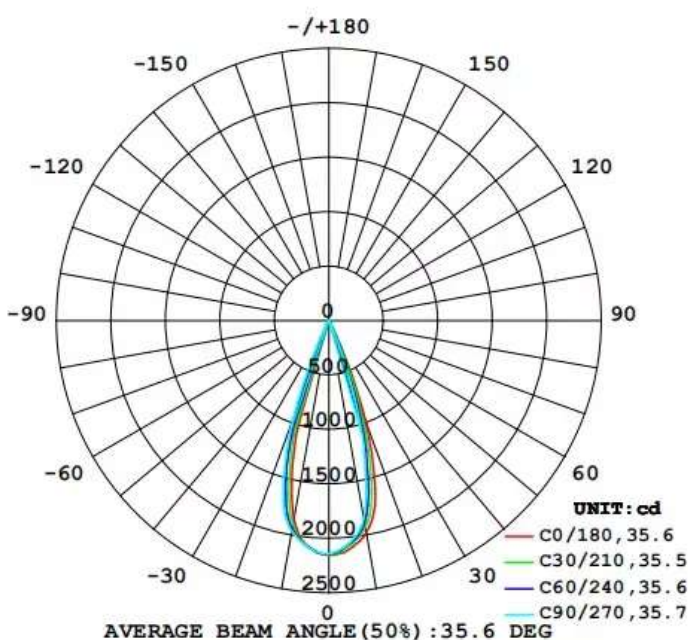
h(m)	E(lx)	D(m)
1	1538	0.64
2	384	1.28
3	170	1.92
4	96	2.56
5	61	3.21



ALL THE TRACKS AND TRACK HEADS ARE AVAILABLE IN CUSTOM PAINTED FINISHES: GOLD, BRONZE, WOODEN, RAL*

SCHEMATIC LIGHT DRAWING:

LUMINOUS INTENSITY DISTRIBUTION DIAGRAM



sales@gordonbullard.com
www.cerchiolighting.com
1 877-964-4646



991 South Gull Lake Dr
Richland, MI 49083, USA
1 877-964-4646



SPOT 65 R-D9 TRACK HEAD

The spot light with three different beam angles each, obtained by means of refractive or hybrid optical units. Junction arm integrated in the spotlights body to keep the barycentre aligned with the track and prevent any imbalance in possible suspension versions of track.

The junction allows 360° rotation.

External dimming interface with Triac,0/1-10V,Dali.

GENERAL SPECIFICATIONS:

Number of heads:	1
Lamp category:	LED
Power:	8W
CCT:	2700K/3000K/4000K/5000K
CRI:	80/90
Lumen(lm):	276
Mountings:	Magnetic Track
Environment:	Indoor

OPTICAL:

Lighting type:	Direct
LED type:	SMD LED
Lighting distribution:	Symmetric
Optical type:	Spot
Beam angle(°):	20/30/40

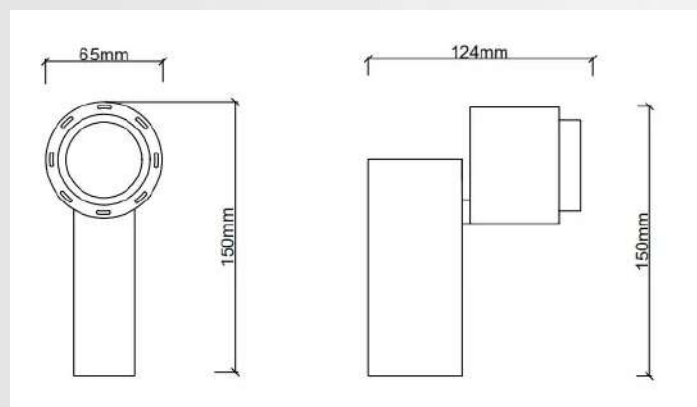
ELECTRICAL:

Voltage(V):	24
Dimmable:	Yes
Driver:	Remote
Driver type:	Electronic
Emergency:	Without
Insulation class:	III

PHYSICAL:

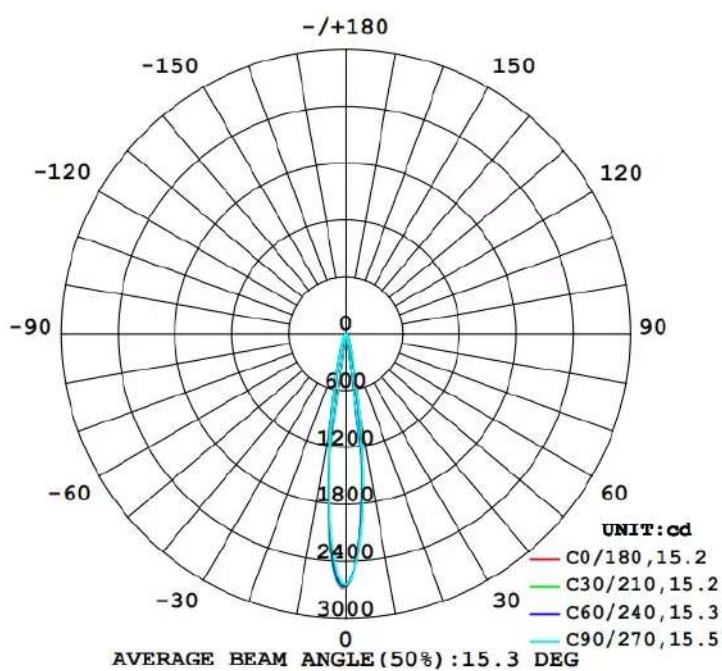
Color:	Black RAL9005/white RAL9003
Orientation:	No
Weight(kg)	0.49

TECHNICAL DRAWING:



SCHEMATIC LIGHT DRAWING:

LUMINOUS INTENSITY DISTRIBUTION DIAGRAM



Beam Angle 20°:

h(m)	E(lx)	D(m)
1	1830	0.26
2	457	0.53
3	203	0.80
4	114	1.06
5	73	1.33



ALL THE TRACKS AND TRACK HEADS ARE AVAILABLE IN CUSTOM PAINTED FINISHES: GOLD, BRONZE, WOODEN, RAL*

sales@gordonbullard.com
www.cerchiolighting.com
1 877-964-4646



991 South Gull Lake Dr
Richland, MI 49083, USA
1 877-964-4646

SPOT 92-R-D9 TRACK HEAD

The spot light with three different beam angles each, obtained by means of refractive or hybrid optical units. Junction arm integrated in the spotlights body to keep the barycentre aligned with the track and prevent any imbalance in possible suspension versions of track. The junction allows 360° rotation.

External dimming interface with Triac,0/1-10V,Dali.

GENERAL SPECIFICATIONS:

Number of heads:	1
Lamp category:	LED
Power:	15W
CCT:	2700K/3000K/4000K/5000K
CRI:	80/90
Lumen(lm):	625
Mountings:	Magnetic Track
Environment:	Indoor

OPTICAL:

Lighting type:	Direct
LED type:	SMD LED
Lighting distribution:	Symmetric
Optical type:	Spot
Beam angle(°):	20/30/40

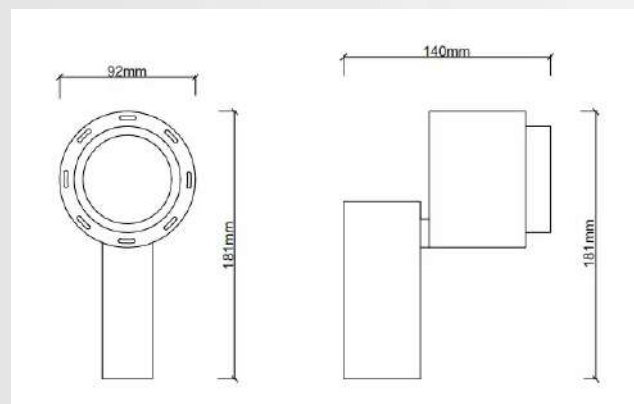
ELECTRICAL:

Voltage(V):	24
Dimmable:	Yes
Driver:	Remote
Driver type:	Electronic
Emergency:	Without
Insulation class:	III

PHYSICAL:

Color:	Black RAL9005/white RAL9003
Orientation:	No
Weight(kg)	0.69

TECHNICAL DRAWING:



Beam Angle 20°:

hh(m)	E(lx)	D(m)
1	3276	0.30
2	819	0.60
3	364	0.90
4	204	1.20
5	131	1.50(m)



ALL THE TRACKS AND TRACK HEADS ARE AVAILABLE IN CUSTOM PAINTED FINISHES: GOLD, BRONZE, WOODEN, RAL *

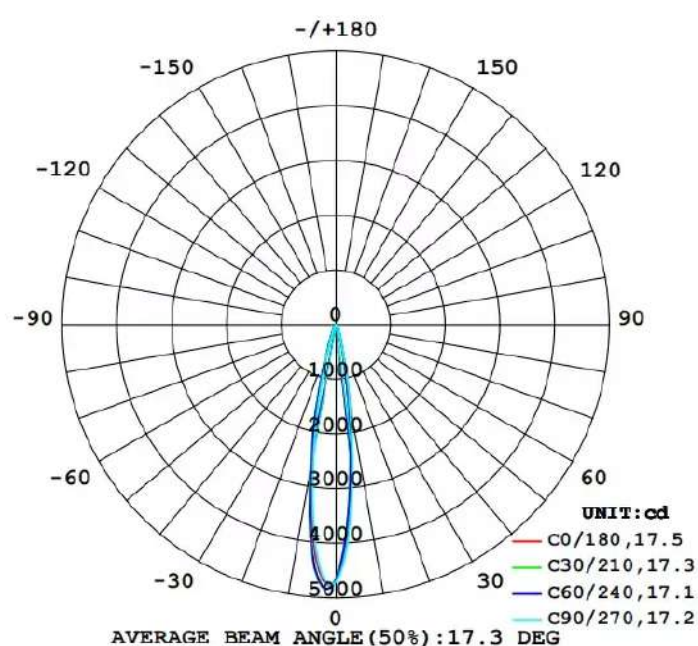
sales@gordonbullard.com
www.cerchiolighting.com
1 877-964-4646



991 South Gull Lake Dr
Richland, MI 49083, USA
1 877-964-4646

SCHEMATIC LIGHT DRAWING:

LUMINOUS INTENSITY DISTRIBUTION DIAGRAM





SPOT 35 D-9 TRACK HEAD

The spot light with three different beam angles each, obtained by means of refractive or hybrid optical units. Junction arm integrated in the spotlights body to keep the barycentre aligned with the track and prevent any imbalance in possible suspension versions of track. The junction allows 360° rotation.

External dimming interface with Triac,0/1-10V,Dali.

GENERAL SPECIFICATIONS:

Number of heads:	1
Lamp category:	LED
Power:	5W
CCT:	2700K/3000K/4000K/5000K
CRI:	80/90
Lumen(lm):	378
Mountings:	Magnetic Track
Environment:	Indoor

OPTICAL:

Lighting type:	Direct
LED type:	SMD LED
Lighting distribution:	Symmetric
Optical type:	Spot
Beam angle(°):	20/30/40/60

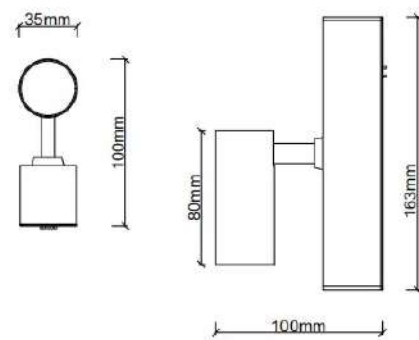
ELECTRICAL:

Voltage(V):	24
Dimmable:	Yes
Driver:	Remote
Driver type:	Electronic
Emergency:	Without
Insulation class:	III

PHYSICAL:

Color:	Black RAL9005/white RAL9003
Orientation:	No
Weight(kg)	0.35

TECHNICAL DRAWING:



Beam Angle 20°:

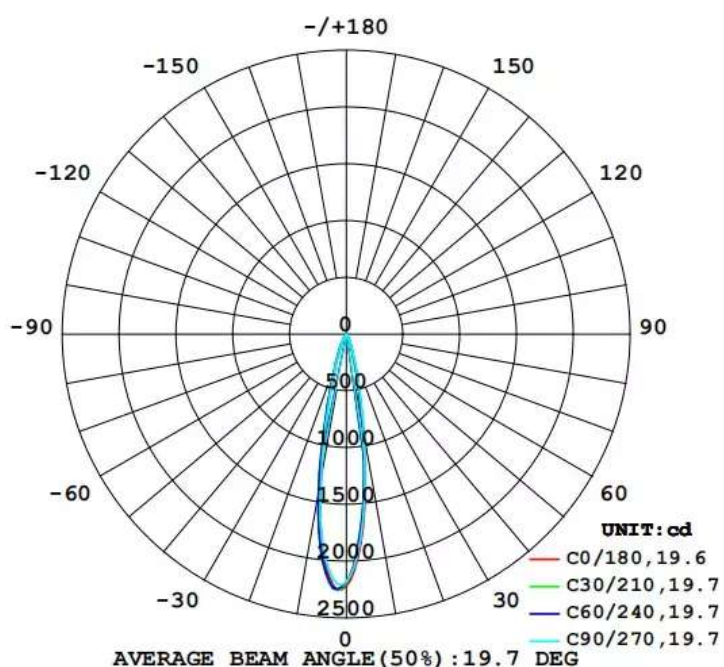
h(m)	E(lx)	D(m)
1	385	0.66
2	171	1.00
3	125	1.16
4	96	1.33
5	76	1.50



ALL THE TRACKS AND TRACK HEADS ARE AVAILABLE IN CUSTOM PAINTED FINISHES: GOLD, BRONZE, WOODEN, RAL*

SCHEMATIC LIGHT DRAWING:

LUMINOUS INTENSITY DISTRIBUTION DIAGRAM



BYIBA CIRCLE magnetic track system ACCESSORIES

PENDANT KIT:



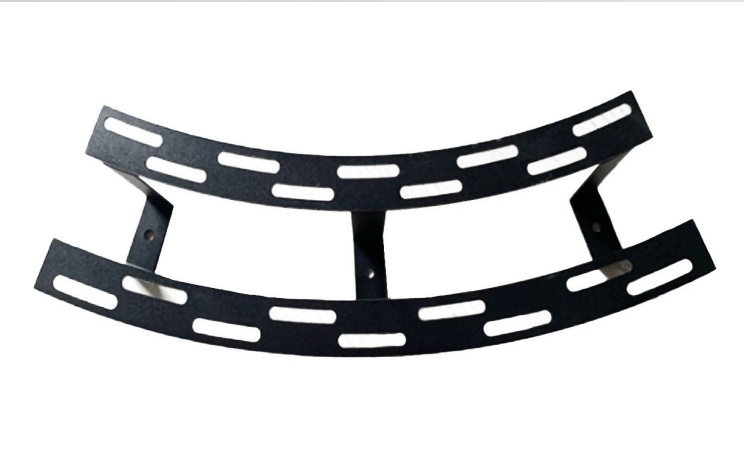
Pendant mounting kit for full circle profile, includes 3 sets.

SURFACE MOUNTED KIT:



New surface mounted for magnetic track, 1 set includes 1 pc of each accessory

RECESSED MOUNTED KIT:



Recessed mounted plate for magnetic track