



BYIBA  
BACKLIGHT

025.387 REV.06

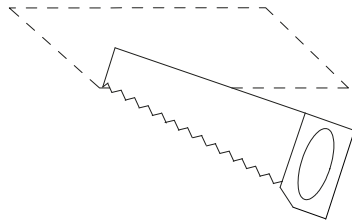
2365B  
2365E  
2365G  
2416D  
2416E



700mA

2365B LED 16.5W  
2365E 2416E LED 9W  
2365G 2516D LED 21.5W

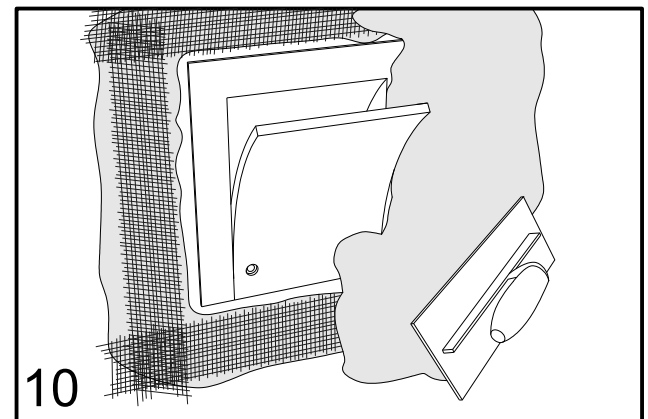
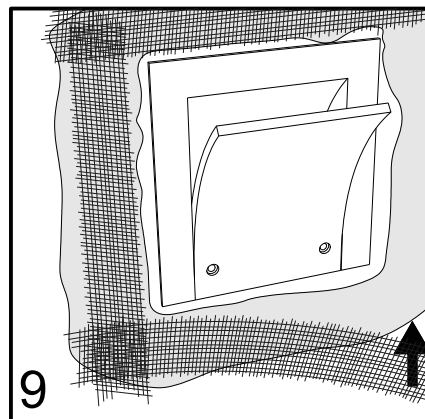
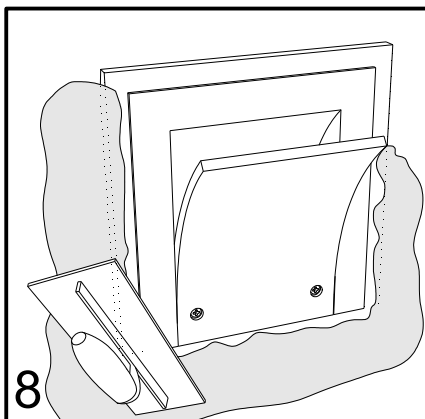
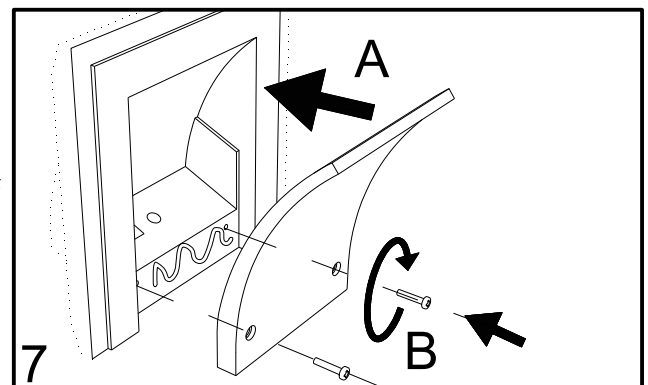
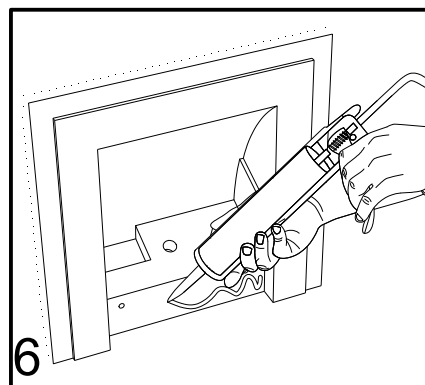
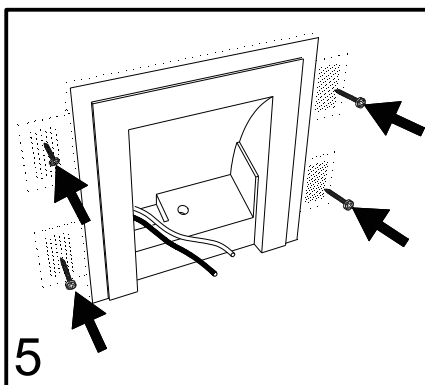
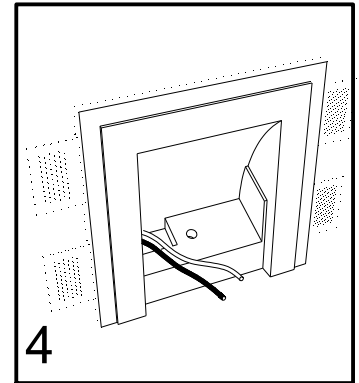
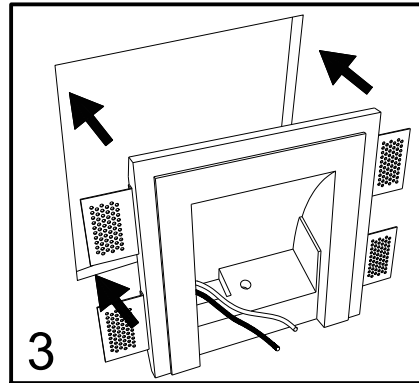
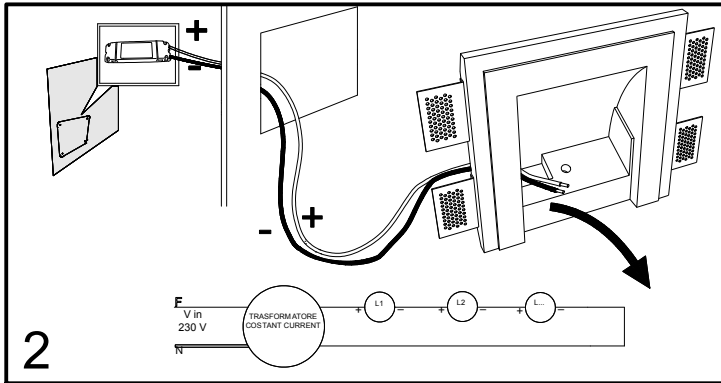
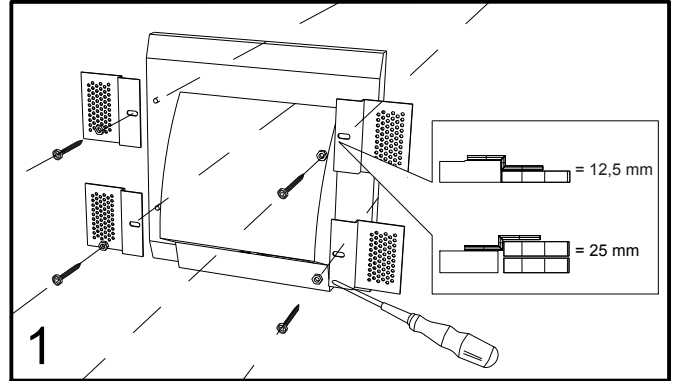
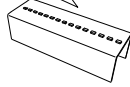
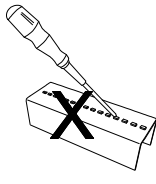
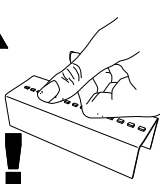
IP20

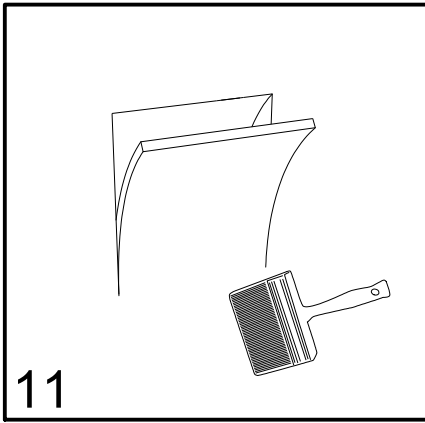


* Art.			* Art.		
<b>2365B</b>	325x285	80	<b>2516D</b>	405x255	80
<b>2365E</b>	220x220	80	<b>2416E</b>	220x220	80
<b>2365G</b>	405x255	80			

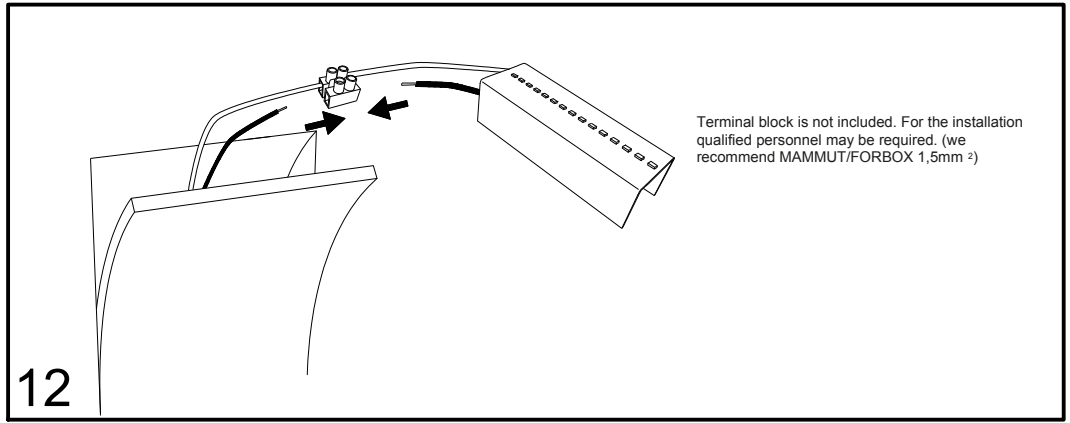


**NO!**

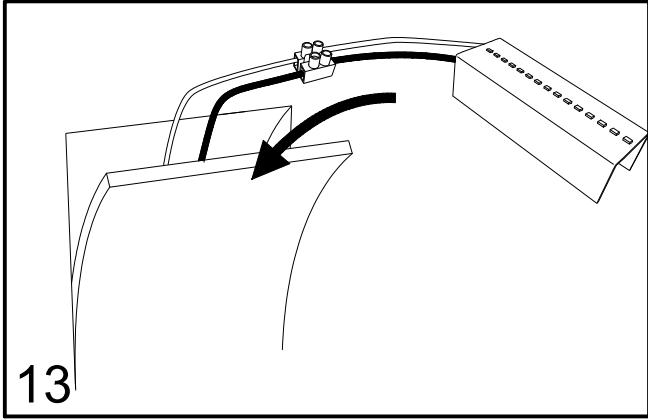




11



12



13

**IMPORTANT**

- To ensure equipment safety you must carefully follow the instructions below. This leaflet must be kept handy by personnel entrusted with all ordinary and extraordinary maintenance.
- Before any installation or maintenance operation on the bulb, make sure it is disconnected from power.
  - Fit the correct bulbs, according to the type and power indicated on the lamp data label.
  - Make sure the lamp technical features are compatible with the use you are going to make of it.
  - Should you have any doubt, refer to the dealer or ask an electrician.
  - When connecting to the mains, follow the correct colour code for power cables: (N) blue, (L) brown or black and, only for class I equipment, (T) yellow/green.
  - When lamps are to be fitted to the wall directly through their ceramic parts, fasten the fixing screws lightly, to avoid breaking the ceramic.
  - To clean the lamp on the outside, use a soft cloth, possibly wet. Do not use solvents or abrasive products. No liquid must get in contact with the lamp interior parts.
  - Do not touch the equipment with dirty hands.



= Class I equipment, must be connected to an earth terminal.



= Double insulated lamp, does not need earthing.



= Electrical equipment in class III, electrical safety guaranteed by low voltage tension, does not require grounding



= Minimum distance to be observed from all lit up objects.



= Replace immediately the safety glass, if damaged, with the original part.



= The lamp uses low pressure bulbs, and needs no protection glass.



= Device with CE marking



= The equipment at the end of its life must be collected separately from other waste