



KOMP

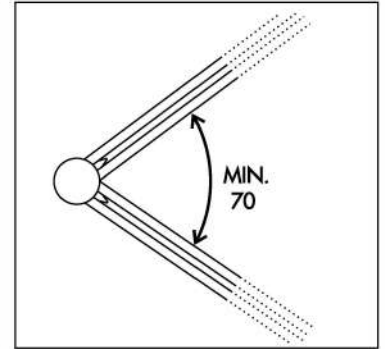
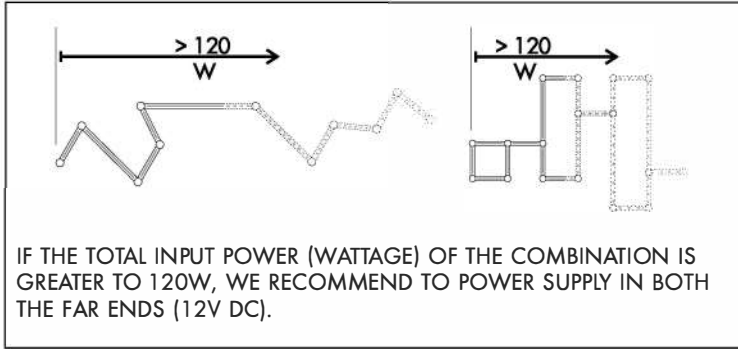
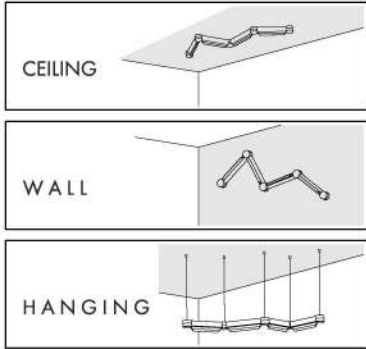
Module with fitting that provides direct light. Made by a structure in solid wood and aluminum, and by a glass with a specific detail that projects the light. LED technology.

Connectable modules to compose open paths or closed configurations. The specific connection, that follows, allows each module to be directed in the desired direction

The following products can be feeded only in low voltage 12Vdc; for the connection to the electric system it is therefore necessary to foresee the proper power supplies.

In order to identify the correct power supplies to use, you need to add up the wattage absorbed by each module and add a tolerance margin of ~10% to the total power.

On request power supplies with power or characteristics other than those on this list are supplied.



PURCHASE PROCEDURE:

OPEN SHAPES

REQUIREMENT: -STRUCTURE FINISHES
-TRANSITION PARTS FINISHES
-MODULE(35 ; 65 ; 95 ; 125)
-OPEN SHAPE KIT

OPTIONAL: -POWER SUPPLY

CLOSED SHAPES

REQUIREMENT: -STRUCTURE FINISHES
-TRANSITION PARTS FINISHES
-MODULE(35 ; 65 ; 95 ; 125)

OPTIONAL: -GEOMETRIC SHAPES TEMPLATE (SIDE 36 ; 66 ; 96 ; 126)
-POWER SUPPLY

SHAPES WITH INTERSECTION

REQUIREMENT: -STRUCTURE FINISHES
-TRANSITION PARTS FINISHES
-MODULE(35 ; 65 ; 95 ; 125)
-INTERSECTION KIT(3-WAY 120° ; 3-WAY 180° ; 4-WAY ; 5-WAY)

OPTIONAL: -GEOMETRIC SHAPES TEMPLATE(SIDE 36 ; 66 ; 96 ; 126)
-POWER SUPPLY

HANGING

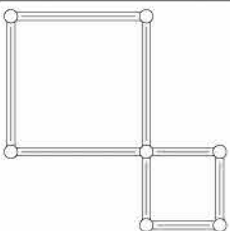
IN ADDITION TO ABOVEMENTIONED INDICATIONS:

REQUIREMENT: -HANGING KIT
-CEILING WIRING KIT (CEILING PLATE ; CEILING FRAME)



EXAMPLE OF ORDER:

CLOSED SHAPE WITH INTERSECTION. BLEACHED OAK WITH SATINED ALUMINUM STRUCTURED. SHAPES AND POWER SUPPLY



QUANTITY	CODE	DESCRIPTION
n 4 pz.	F3.115	KOMP 35 - MODULE 35 BLEACHED OAK
n 4 pz.	F3.117	KOMP 65 - MODULE 65 BLEACHED OAK
n 1 pz.	K053	4-WAY INTERSECTION KIT
	00H	SATIN ALUMINUM STRUCTURE FINISHES
n 1 pz.	K058	GEOMETRIC SHAPE TEMPLATE SIDE 36
n 1 pz.	K059	GEOMETRIC SHAPE TEMPLATE SIDE 66
n 1 pz.	5000.0063	POWER SUPPLY 90W 12VDC - 110/230V





STRUCTURE FINISHES AND TRANSITION PARTS FINISHES:

THE FINISHING CODE ASSIGNS THE FINISHING TO ALL ORDERED JUNCTION CYLINDERS.

WOOD FINISHES:



ALUMINUM FINISHES:



.CUS *Custom finishes on request

OPEN SHAPE KIT



CODE

K050 OPEN SHAPE KIT

INFO

WEIGHT
0,3 kg
0,66 lbs

ADDING THIS KIT IS NECESSARY TO COMPLETE THE OPEN SHAPE COMPOSITION.

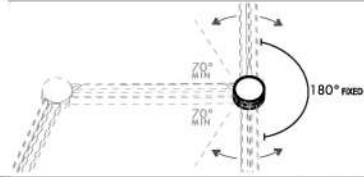
INTERSECTION KIT

CODE

K051 3-WAY 180° INTERSECTION

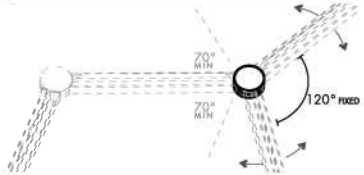
INFO

WEIGHT
0,3 kg
0,66 lbs



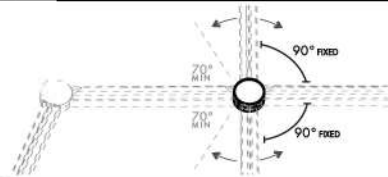
K052 3-WAY 120° INTERSECTION

WEIGHT
0,3 kg
0,66 lbs



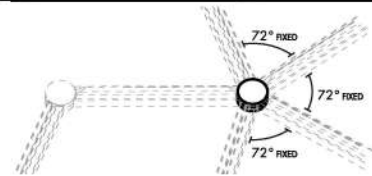
K053 4-WAY INTERSECTION

WEIGHT
0,3 kg
0,66 lbs



K054 5-WAY INTERSECTION

WEIGHT
0,3 kg
0,66 lbs



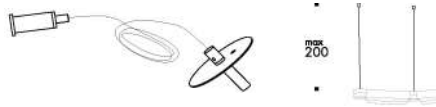
HANGING KIT

CODE

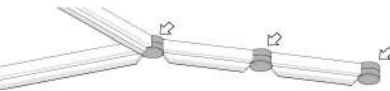
K055 HANGING KIT

INFO

WEIGHT
0,2 kg
0,44 lbs



PROVIDE A HANGING KIT FOR ANY JUNCTION CYLINDER



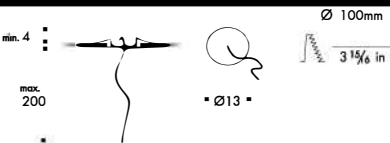
WIRING KIT

CODE

K056 COVER PLATE CEILING

INFO

WEIGHT
0,5 kg
1,10 lbs



COVER DISC FOR RECESSED INSTALLATION + ELECTRIC CABLE (DRIVER NOT INCLUDED)

K057 CANOPY

WEIGHT
0,3 kg
0,66 lbs



CANOPY + ELECTRIC CABLE (DRIVER NOT INCLUDED)



KOMP 35 MODULE	CODE	BULB	INFO
	F3.114 NOCE CANALETTO CANALETTO WALNUT	 LED 5W warm white 3000K	CE IP20 BOX (cm) 15x15x55 VOLUME 0,012 m ³ ENERGY EFFICIENCY CLASS A ⁺⁺ (LED) ALIMENTAZIONE POWER SUPPLY 12V DC
	F3.115 ROVERE SBIANCATO B.L BLEACHED OAK	-520 lm 24V DC	

KOMP 65 MODULE	CODE	BULB	INFO
	F3.116 CANALETTO WALNUT	 LED 10W warm white 3000K	CE IP20 BOX (cm) 15x15x85 VOLUME 0,019 m ³ ENERGY EFFICIENCY CLASS A ⁺⁺ (LED) POWER SUPPLY 12V DC
	F3.117 BLEACHED OAK	-1080 lm 24V DC	

KOMP 95 MODULE	CODE	BULB	INFO
	F3.118 CANALETTO WALNUT	 LED 16W warm white 3000K	CE IP20 BOX (cm) 15x15x115 VOLUME 0,026 m ³ ENERGY EFFICIENCY CLASS A ⁺⁺ (LED) POWER SUPPLY 12V DC
	F3.119 BLEACHED OAK	-1640 lm 24V DC	

KOMP 125 MODULE	CODE	BULB	INFO
	F3.120 CANALETTO WALNUT	 LED 21W warm white 3000K	CE IP20 BOX (cm) 15x15x145 VOLUME 0,033 m ³ ENERGY EFFICIENCY CLASS A ⁺⁺ (LED) POWER SUPPLY 12V DC
	F3.121 BLEACHED OAK	-2190 lm 24V DC	



GEOMETRIC SHAPES TEMPLATE

		CODE	INFO			
 		K058	TEMPLATE SIDE 36	WEIGHT 0,5 kg / 1,10 lbs	BOX (cm) VOLUME Ø5x55 0,09 m ³	CE
		K059	TEMPLATE SIDE 66	1,0 kg / 2,20 lbs	Ø5x90 0,15 m ³	
		K060	TEMPLATE SIDE 96	1,5 kg / 3,31 lbs	Ø5x125 0,20 m ³	
		K061	TEMPLATE SIDE 126	1,5 kg / 3,31 lbs	Ø5x180 0,29 m ³	

CANOPY WITH DRIVER

		CODE	INFO			
 + CANOPY + ELECTRIC CABLE + DRIVER		K062	Ø ÷ 80 W	WEIGHT 2,0 kg 4,41 lbs	Unified package with other ordered kits. Box 30x20x20 Volume 0,012 m ³	CE
		K063	Ø ÷ 215 W	WEIGHT 2,5 kg 5,51 lbs		

POWER SUPPLIES

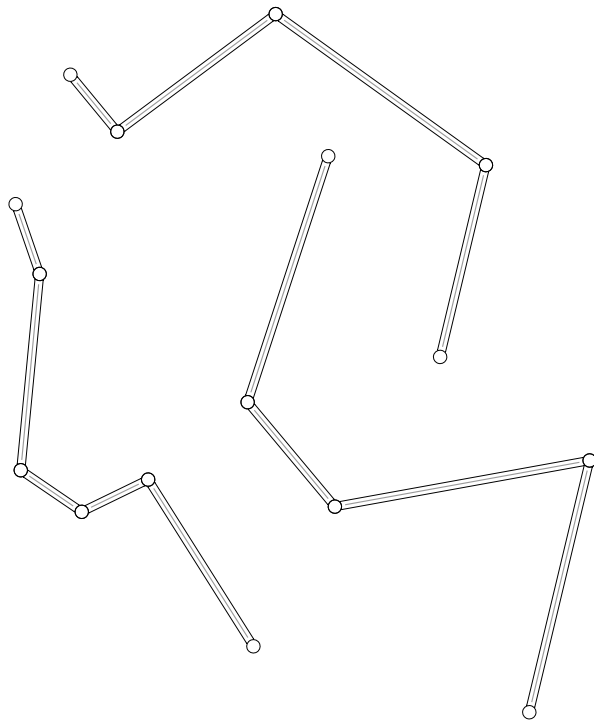
		CODE	INPUT	IP	L x W x H ^(mm)		
 DIMMING FUNCTION 1-10VDC, PWM SIGNAL, RESISTANCE * -0-10VDC, PWM SIGNAL, RESISTANCE		5000.060	25W 12Vdc DIM	110/230 Vac	IP67	148 x 40 x 32	CE, V, W, W, SELV, UL US
		5000.061	40W 12Vdc DIM	110/230 Vac	IP67	163 x 43 x 32	CE, V, W, W, SELV, UL US
		5000.062	60W 12Vdc DIM	110/230 Vac	IP67	163 x 43 x 32	CE, V, W, W, SELV, UL US
		5000.063	90W 12Vdc DIM*	110/230 Vac	IP67	171 x 63 x 37	CE, V, W, W, SELV, UL US
		5000.064	120W 12Vdc DIM*	110/230 Vac	IP67	191 x 63 x 37	CE, V, W, W, SELV, UL US
		5000.065	150W 12Vdc DIM	110/230 Vac	IP67	228 x 68 x 38	CE, V, W, W, SELV, UL US
		5000.066	185W 12Vdc DIM	110/230 Vac	IP67	228 x 68 x 38	CE, V, W, W, SELV, UL US

TRANSITIONAL ENDCAP:

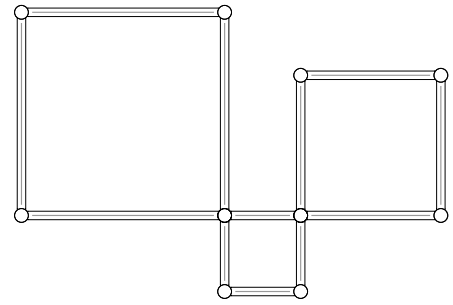




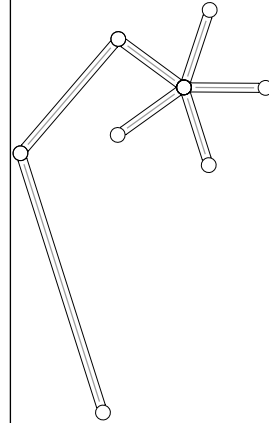
EXAMPLES REALIZED:



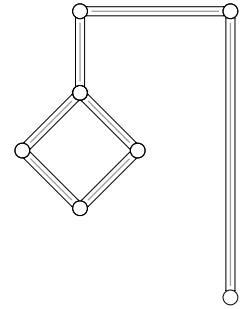
OPEN SHAPES



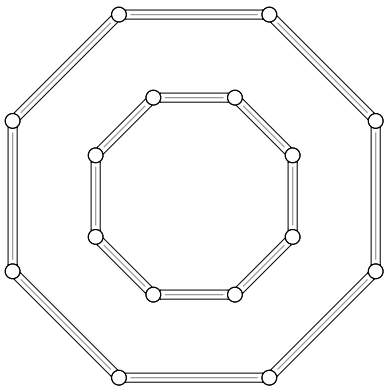
CLOSED SHAPES WITH INTERSECTIONS



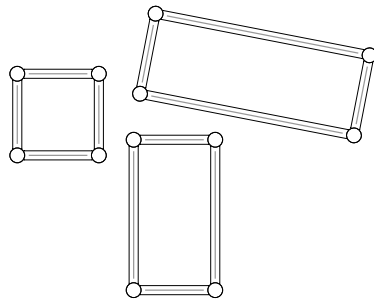
OPEN SHAPE WITH INTERSECTIONS



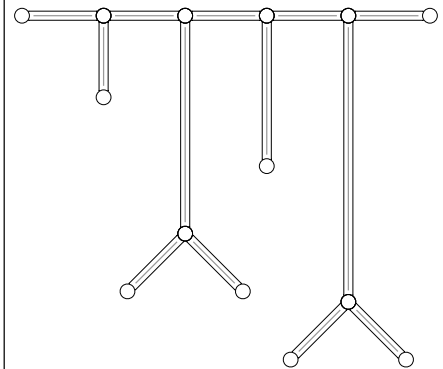
CLOSED SHAPE WITH INTERSECTION



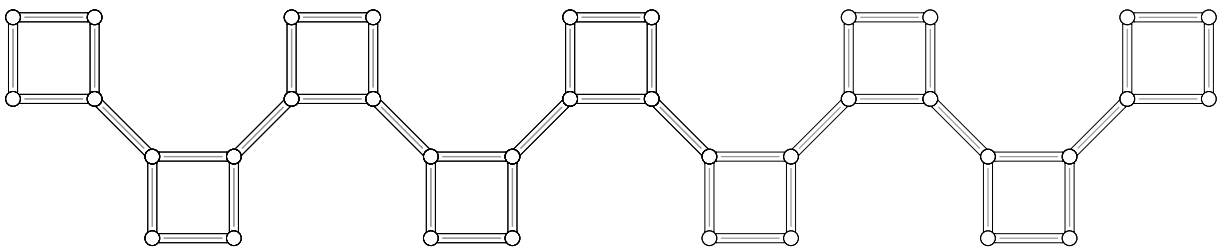
CLOSED SHAPE



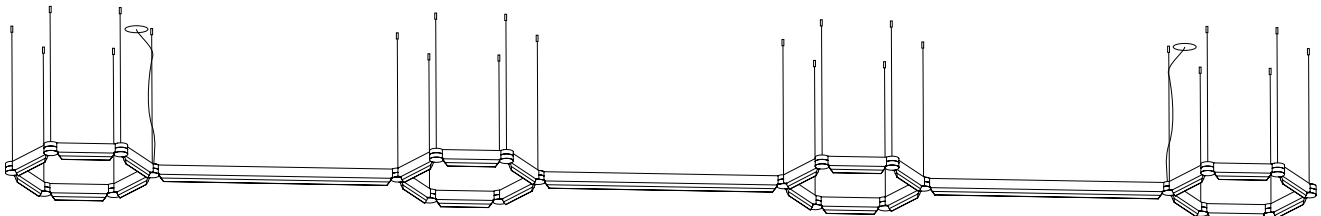
CLOSED SHAPE



OPEN SHAPE WITH INTERSECTIONS



CLOSED SHAPE WITH INTERSECTION



CLOSED SHAPE WITH INTERSECTION SUSPENDED