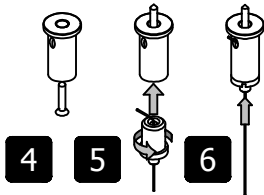
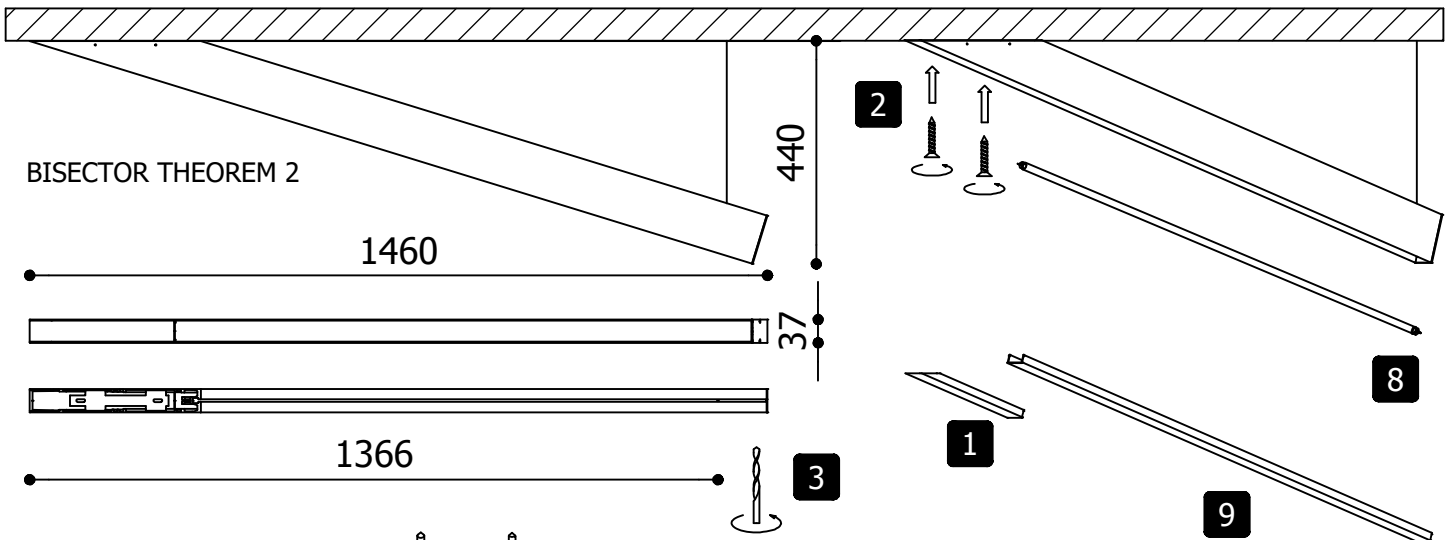
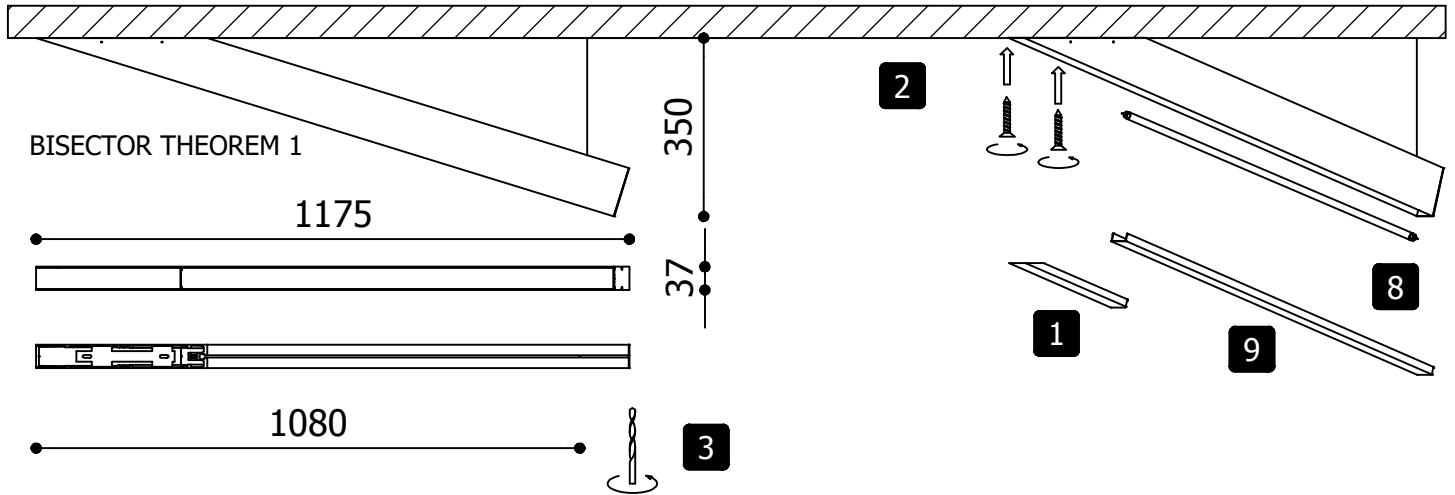


Assembly Doctor for BISECTOR THEOREM



1. Carefully remove the cover plate and the diffuser plate.
2. Mount the fixture to the ceiling using two screws.
3. Drill a hole in the ceiling at the proper distance for the gripper.
4. Screw the gripper body onto the ceiling.
5. Turn the adjuster into the gripper body.
6. Lock the cables on the respected height.
7. Connect to power supply.
8. (Re)place lamps, respect wattage.
9. Carefully reattach cover plate and diffuser plate.

7 CONNECTION Standard version

Brown (L)
Blue (N)
Green/yellow (ground)

7 CONNECTION Dimmable version

Black (-)
White (+) > Dimmer (1-10V)

IP 20	960 °C
	110-277V

BISECTOR THEOREM 1

21 Watt	G5	
39 Watt	G5	

BISECTOR THEOREM 2

28 Watt	G5	
54 Watt	G5	