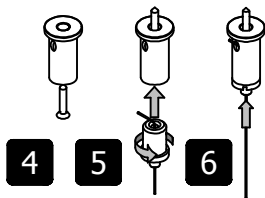
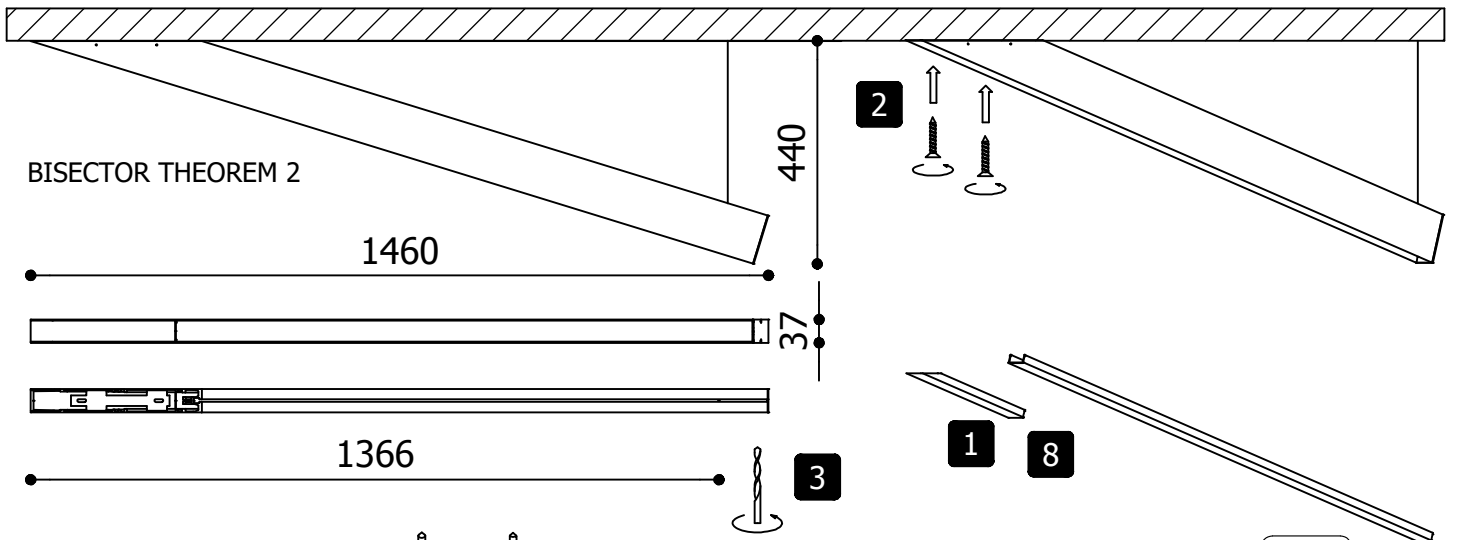
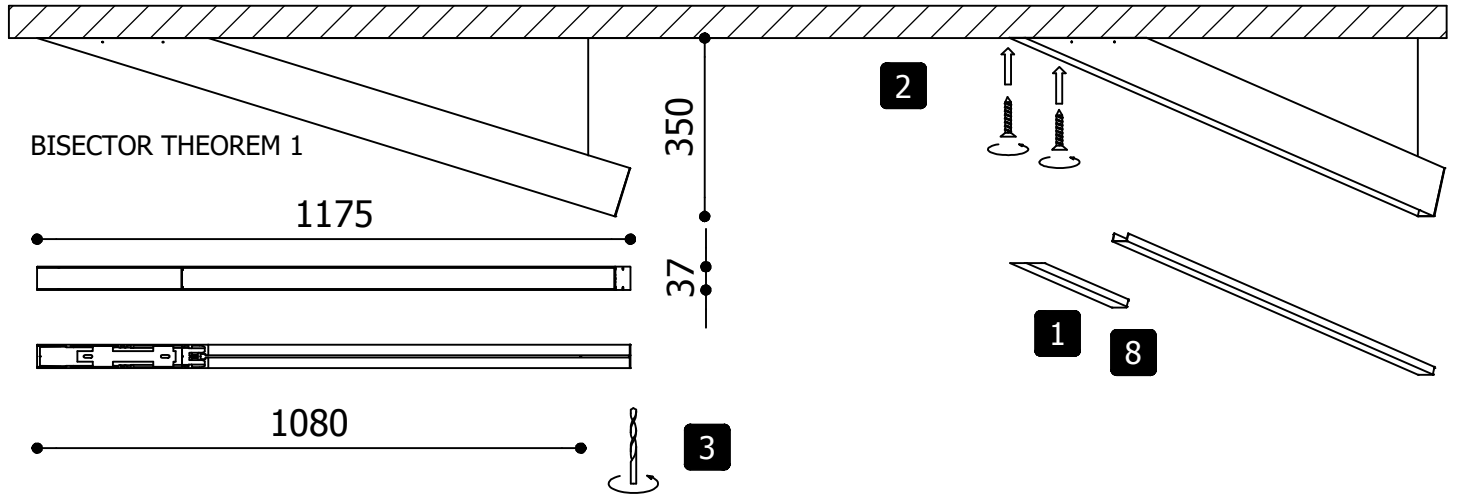
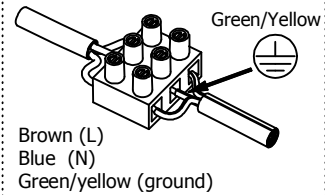


# Assembly Doctor for BISECTOR THEOREM LED

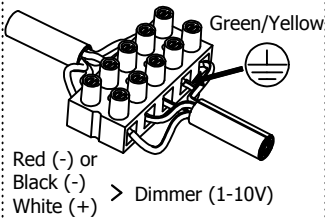


1. Carefully remove the cover plate.
2. Mount the fixture to the ceiling using two screws.
3. Drill a hole in the ceiling at the proper distance for the gripper.
4. Screw the gripper body onto the ceiling.
5. Turn the adjuster into the gripper body.
6. Lock the cables on the respected height.
7. Connect to power supply.
8. Carefully reattach cover plate and diffuser plate.

## 7 CONNECTION Standard version



## 7 CONNECTION Dimmable version



LED-CONNECTION			
RED	WHITE	BROWN	(+)
BLACK	GREY	BLUE	(-)

3000 K		
		0.5m
IP 20	960°C	
		110-277V
3 kg		



BISECTOR THEOREM 1

LED	>80 CRI	350 mA	2400 Lm	27 Watt			
-----	---------	--------	---------	---------	--	--	--

BISECTOR THEOREM 2

LED	>80 CRI	350 mA	3200 Lm	36 Watt			
-----	---------	--------	---------	---------	--	--	--