



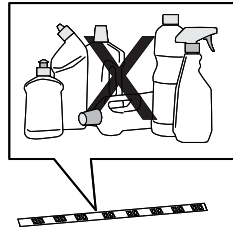
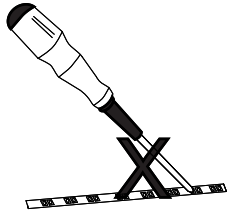
BYIBA
BACKLIGHT

025.601
MADE IN ITALY

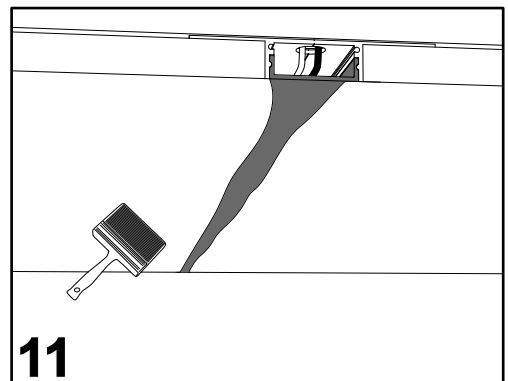
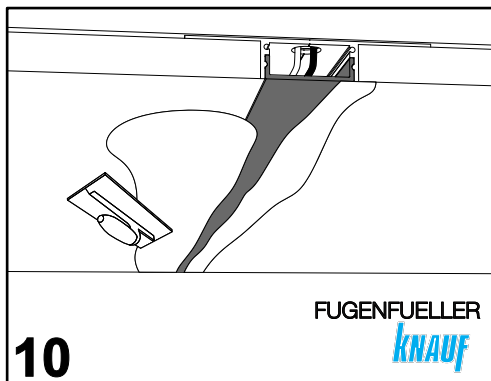
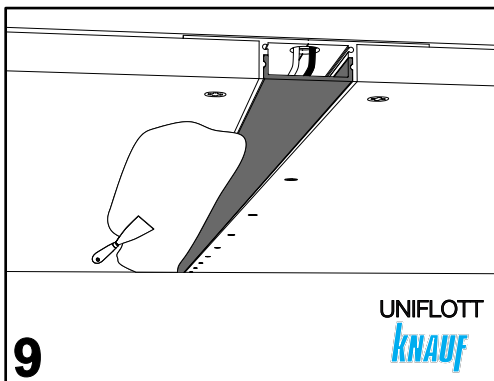
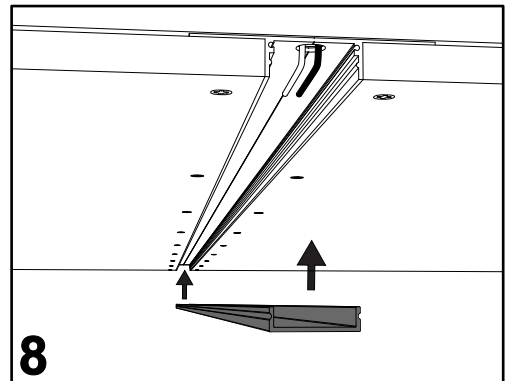
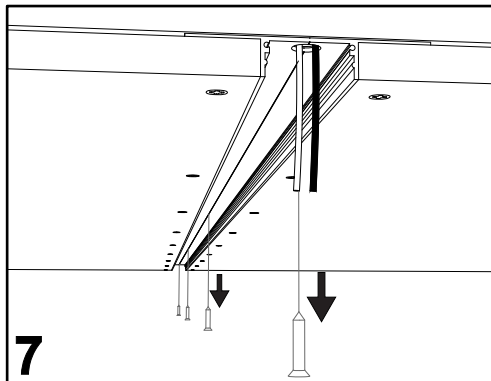
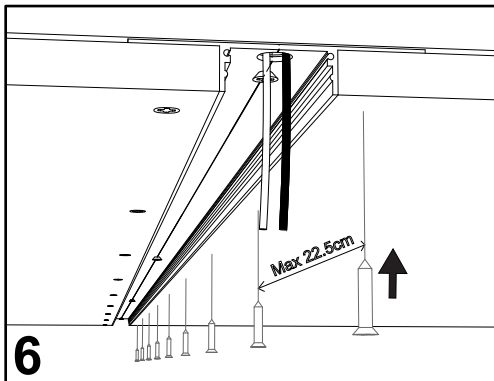
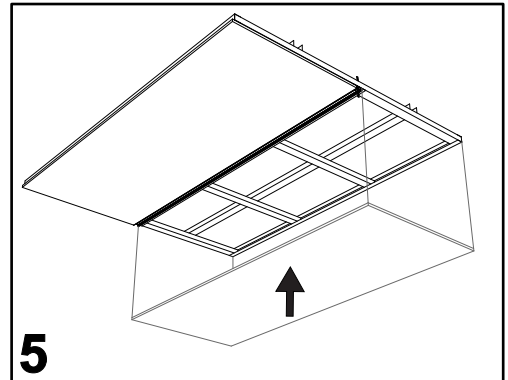
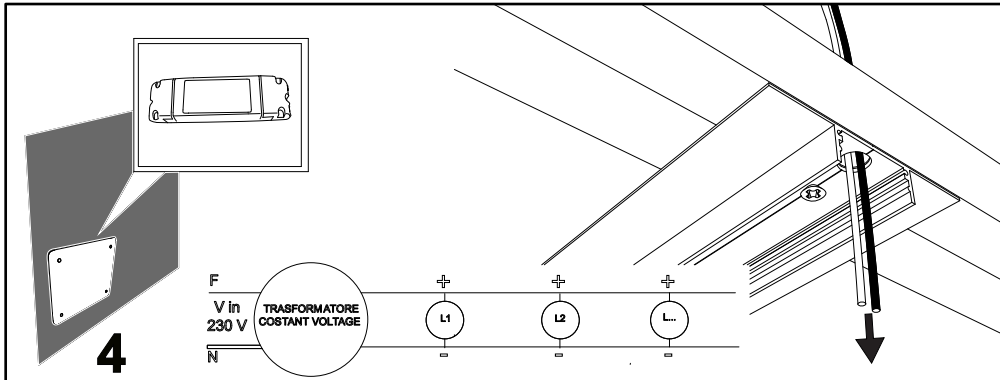
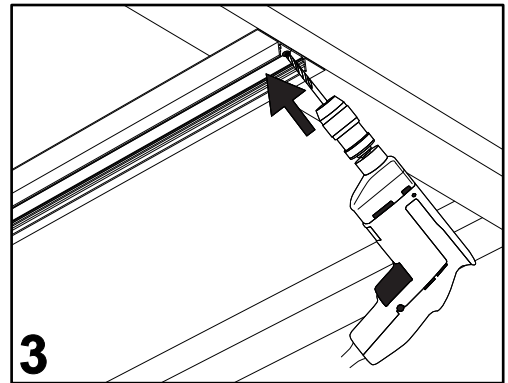
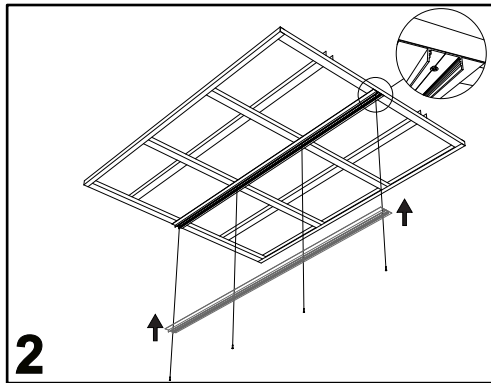
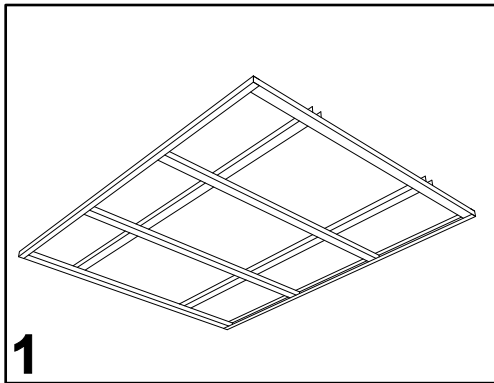
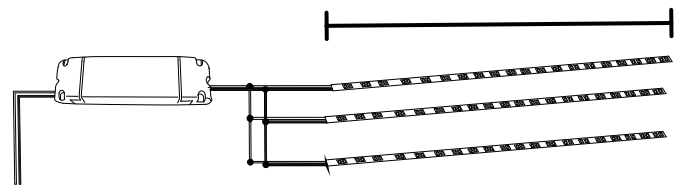
P012
P013

P012 MAX 18W/m
P013 MAX 20W/m

IP 20



c.v.
M



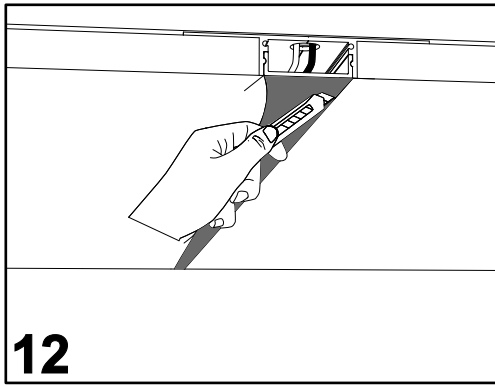
UNIFLOTT
KNAUF

FUGENFUELLER
KNAUF

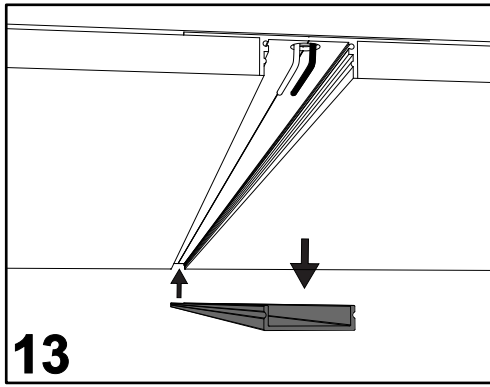
9

10

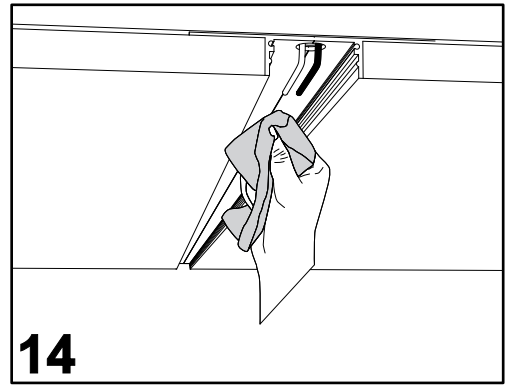
11



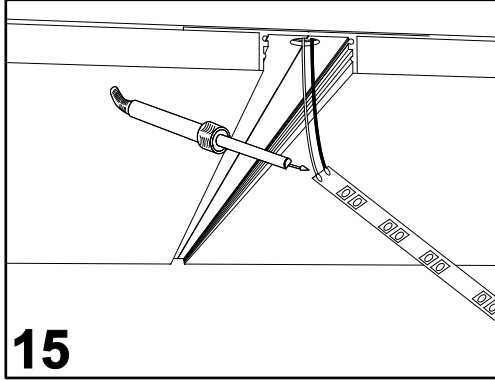
12



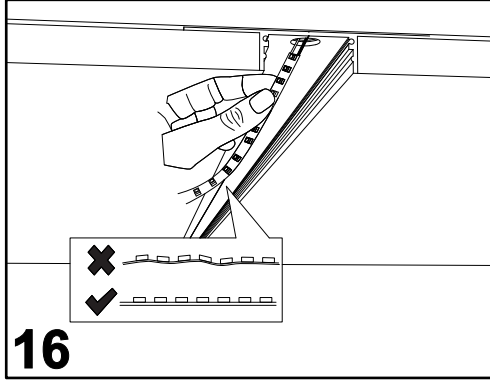
13



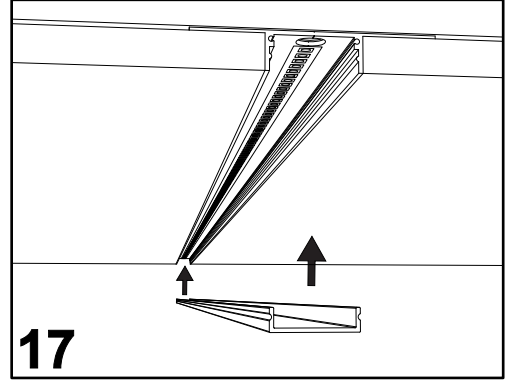
14



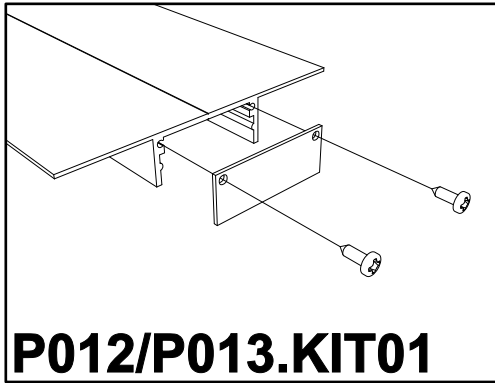
15



16



17



P012/P013.KIT01

IMPORTANT

- To ensure equipment safety you must carefully follow the instructions below. This leaflet must be kept handy by personnel entrusted with all ordinary and extraordinary maintenance.
- Before any installation or maintenance operation on the bulb, make sure it is disconnected from power.
 - Fit the correct bulbs, according to the type and power indicated on the lamp data label.
 - Make sure the lamp technical features are compatible with the use you are going to make of it.
 - Should you have any doubt, refer to the dealer or ask an electrician.
 - When connecting to the mains, follow the correct colour code for power cables: (N) blue, (L) brown or black and, only for class I equipment, (T) yellow/green.
 - When lamps are to be fitted to the wall directly through their ceramic parts, fasten the fixing screws lightly, to avoid breaking the ceramic.
 - To clean the lamp on the outside, use a soft cloth, possibly wet. Do not use solvents or abrasive products. No liquid must get in contact with the lamp interior parts.
 - Do not touch the equipment with dirty hands.



= Class I equipment, must be connected to an earth terminal.



= Double insulated lamp, does not need earthing.



= Electrical equipment in class III, electrical safety guaranteed by low voltage tension, does not require grounding



= Replace immediately the safety glass, if damaged, with the original part.



= Minimum distance to be observed from all lit up objects.



= The lamp uses low pressure bulbs, and needs no protection glass.



= Device with CE marking



= The equipment at the end of its life must be collected separately from other waste