



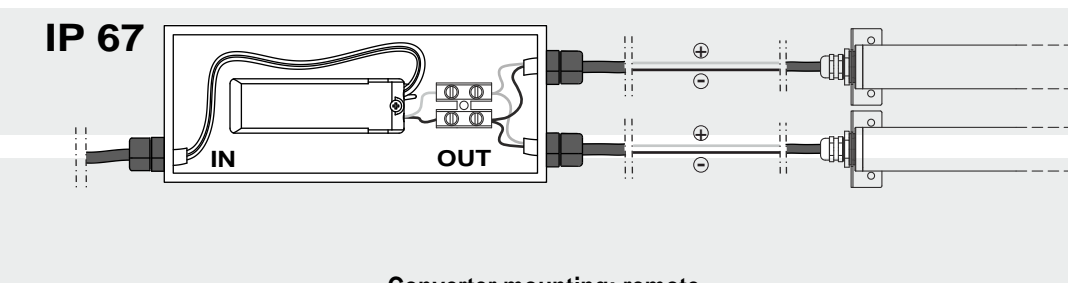
Art. 4536 24V 7,2W 4000K

Art. 4537 24V 15,8W 4000K

Art. Special 24V 1,44W ... 41,8W 3000K / 4000K

ONLY PARALLEL CONNECTION

110-277V
 BLUE -
 BROWN +



Water Tight Conduit must be used for Wet Locations

WARNING:
 Use only a soft cloth to clean the diffuser, dampened with water and soap if needed for resistant dirt.
Do not use alcohol or other solvents.

This equipment is guaranteed only if used as indicated in these instructions:

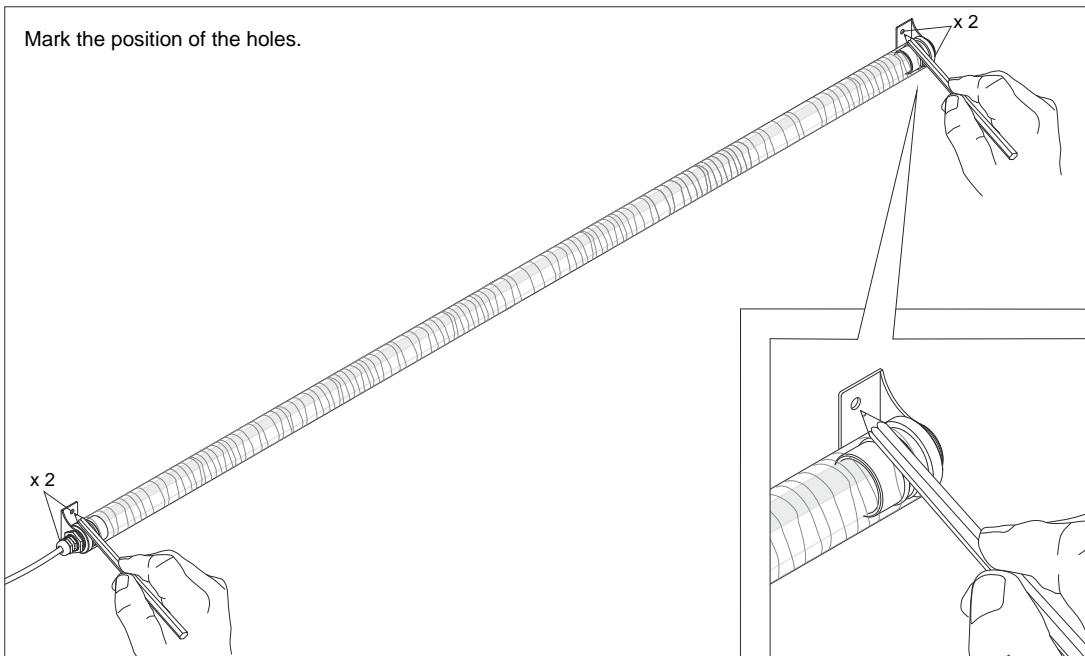
PRESERVE THIS INSTRUCTIONS

Before any operation on this equipment, disconnect the power supply. For a correct assembling see the here enclosed diagram. The fitting must not be covered with insulating material during the installation. An area clear of materials measuring up to 5 cm on the sides, must be kept around the light fixture. We advise You against switch installation between converter and led. The led drivers must be necessarily installed in aerated rooms far from heat sources, as well, an eventual switching off of the led system after some working hours and the subsequent switching on again are caused by the intervention of the thermal protection of the driver, due to a possible wrong installation (i.e. in narrow and unaerated rooms).

	This product must not be discarded as the responsibility of the City sanitation department, it must be gathered together separately and discarded.
	Class III luminaire.
	Fixture ready for mouting on normally inflammable surfaces.
IP x7	Watertight immersion luminaire.
IP 6x	Dust-tight luminaire.

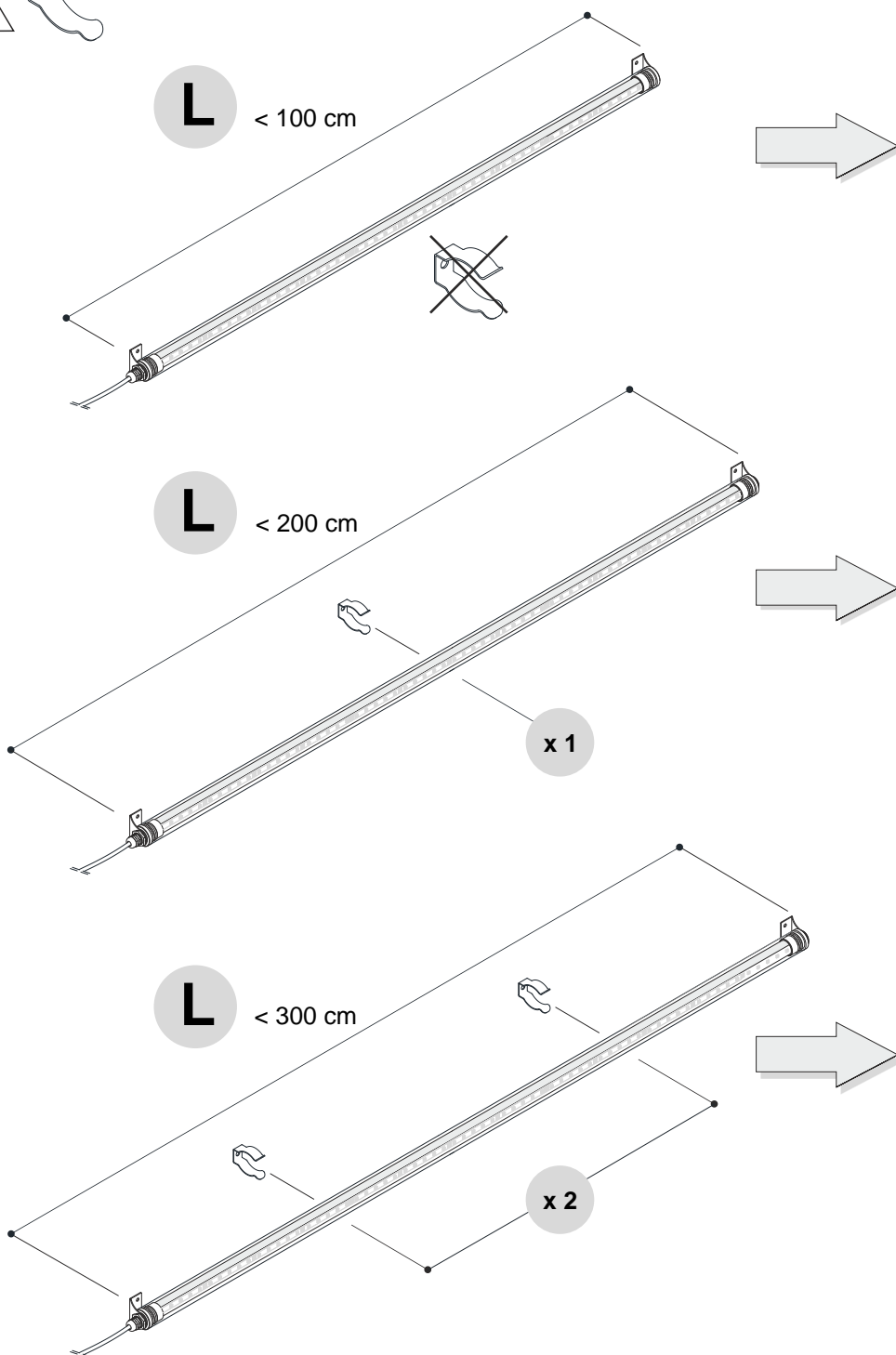
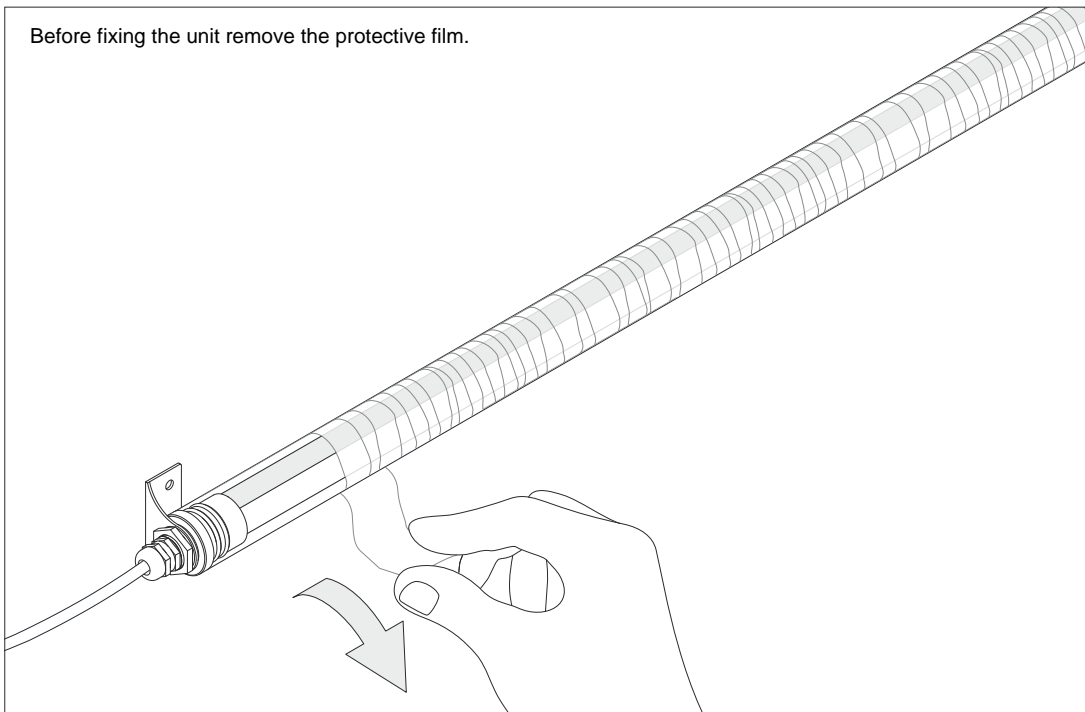
1

Mark the position of the holes.



2

Before fixing the unit remove the protective film.



3

