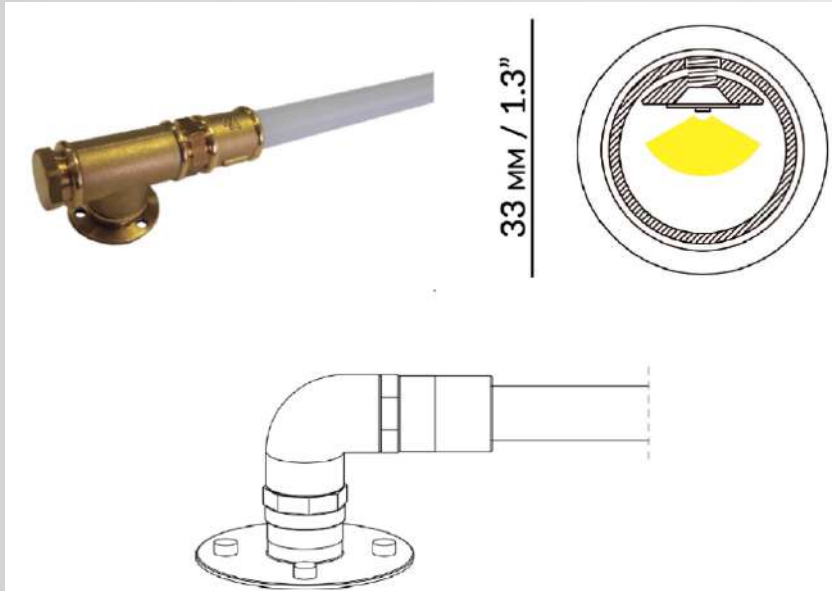




## TREQUARTI Wall

Linear, polycarbonate luminaire with brass end connectors and high-efficiency 24V LED circuit comprised of 120 LED/m, 3000K and CRI up to 90 for indoor/outdoor wall mount application. IP44. Power consumption is 14W/m with lumen output of 1300 lm/m and energy efficiency of 93lm/W. Total weight 0,35kg/m. The profile comes wired, assembled, and ready for installation. Accessories and remote 24V IP67 SELV II driver are included.



### TECH SPECIFICATIONS:

|                     |                                |
|---------------------|--------------------------------|
| Voltage:            | 24 Vdc                         |
| Dimmable:           | On request                     |
| Temperature of use: | min -20°C / max +50°C          |
| Glass dimension:    | Ø24mm / Ø0,94"                 |
| Length:             | 120cm & 73cm / 47,24" & 28,74" |
| Materials:          | Brass and polycarbonate        |

| PROFILE CODE: | CIRCUIT CODE: | POWER (Watt/ft): | LUMEN OUTPUT (lm/ft) | OPTIC | CRI: | COLOR T°(K): |
|---------------|---------------|------------------|----------------------|-------|------|--------------|
| PR-T1W        | SOI120P       | 3 W/ft           | 230                  | 180°  | > 90 | 3000 K       |
|               |               |                  | 260                  |       |      | 4000 K       |
|               |               |                  | 290                  |       |      | 6000K        |
| PR-T1W        | SOZ60P        | 4,3W/ft          | 396                  | 180°  | > 90 | 3000 K       |
|               |               |                  | 427                  |       |      | 4000 K       |
|               |               |                  | 457                  |       |      | 6000K        |
| PR-T1W        | Custom        | /                | NA                   | /     | NA   | /            |

### FOTOMETRIC DATA:

