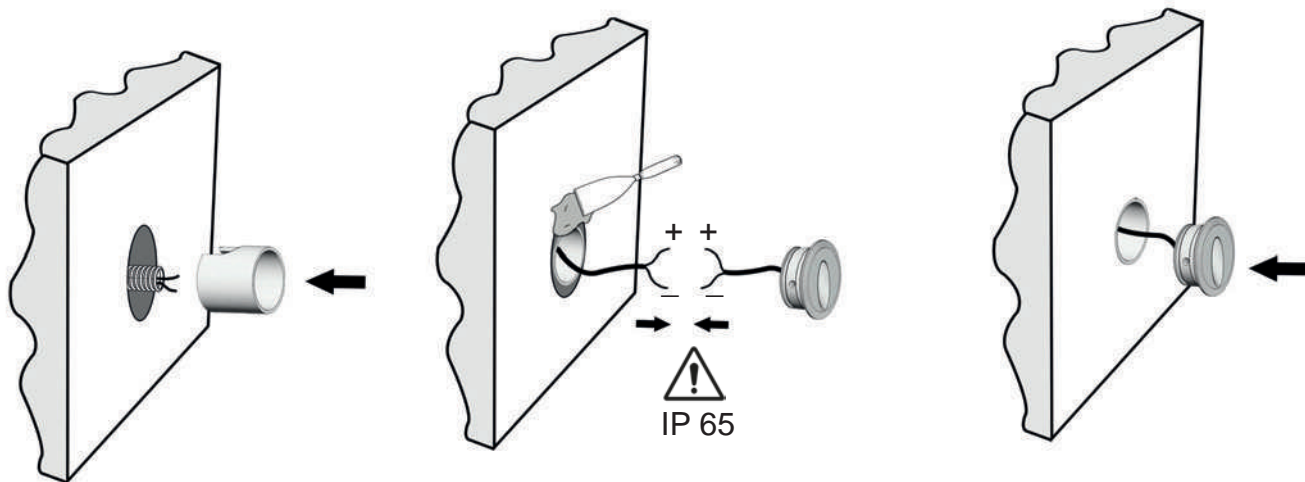
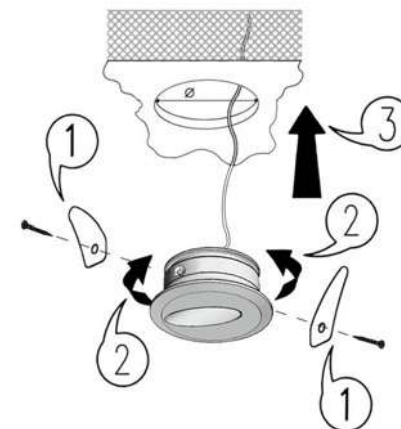


THE SAFETY OF THIS FIXTURE IS GUARANTEED ONLY IF YOU COMPLY WITH THESE INSTRUCTIONS; REMEMBER TO KEEP IN A SAFE PLACE. THE APPLIANCE MUST NOT BE TAMPERED WITH OR TRANSFORMED AND IT MUST BE INSTALLED AND USED AS SUPPLIED AND IN COMPLIANCE WITH THE NATIONAL RULES ON INSTALLATIONS. SWITCH-OFF THE POWER SUPPLY BEFORE CARRYING OUT ANY MAINTENANCE OPERATIONS. HOT PLUG-IN IS NOT ALLOWED AND MAY CAUSE DAMAGE TO THE LUMINAIRE. THE LIGHT SOURCE CONTAINED IN THIS LUMINAIRE SHALL BE REPLACED ONLY BY THE MANUFACTURER OR HIS SERVICE AGENT. INSTALLATION AND SERVICE MUST BE PERFORMED BY QUALIFIED SERVICE PERSONNEL. ANY NON-COMPLIANT INSTALLATIONS WILL INVALIDATE ALL FORMS OF GUARANTEE.

Point AS

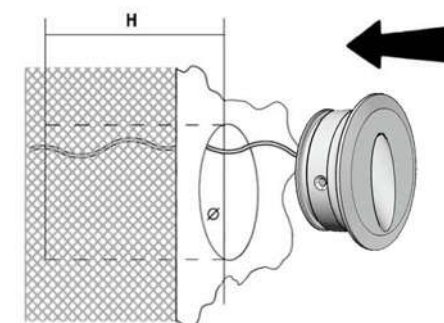


A



Hole diameter :  
POINT 1 -  $\varnothing > 30 \text{ mm} +1/-1$   
POINT 2 -  $\varnothing > 40 \text{ mm} +1/-1$   
POINT 3 -  $\varnothing > 50 \text{ mm} +1/-1$

B



~Hole diameter :  
POINT 1 -  $\varnothing > 36 \text{ mm} +1/-1$   
POINT 2 -  $\varnothing > 46 \text{ mm} +1/-1$   
POINT 3 -  $\varnothing > 56 \text{ mm} +1/-1$