



**POINT 3R RD 55**

LL1009.AHMT300EL.40	Stainless steel
LL1009.AHMT300EL.01	White (matt)
LL1009.AHMT300EL.19	Silver grey (matt)
LL1009.AHMT300EL.22	Black (matt)
LL1009.AHMT300EL.45	Rust brown

**GENERAL INFORMATION:**

Installation Environment	Indoor
Type of fitting	Recessed ceiling, Recessed in-ground
Place of application	Path Lights, Ceiling

**CONSTRUCTIVE & DIMENSIONAL:**

Construction material	Stainless steel AISI 316L
Diameter	55mm(2,16")
Cutout shape	Round
Recessed depth	100mm(3,93")

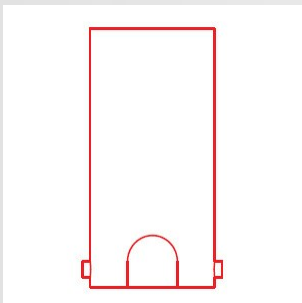
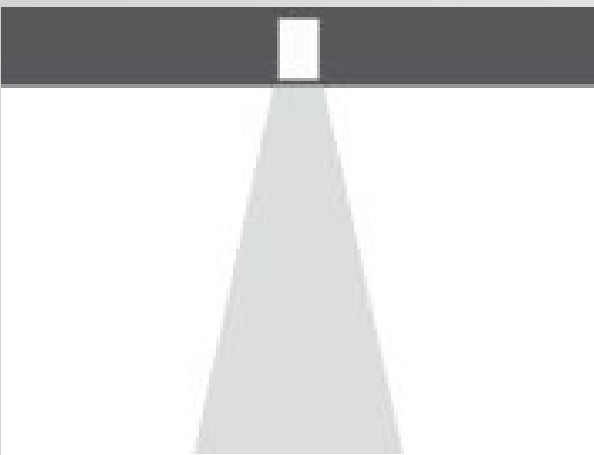
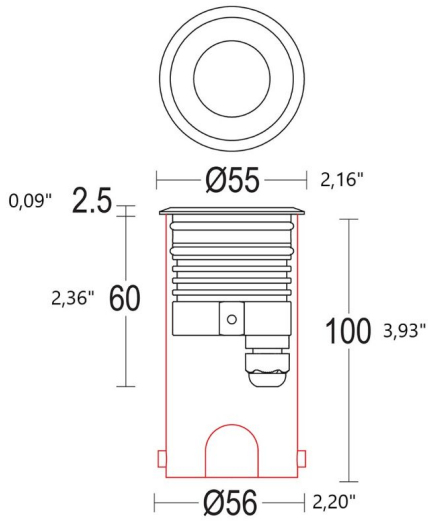
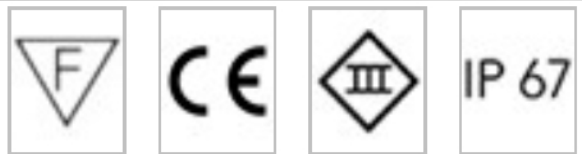
**ELECTRICAL:**

Description	1 x 6W LED 3000K CRI>90 845 lm
Operating Power [V/mA]	24V DC
Number of heads	1
Control gear	24 VDC not included
Driver positioning	Remote
Control gear type	Electronic
Cord length [m]	0.5
Water-Lock system	Included
Emergency kit	Not available

**OPTICAL:**

Beam type	Medium (21° - 40°)
Beam angle [°]	28°
Light distribution	Light distribution diffused
Beam directionability	Fixed
Diffuser material	Polycarbonate

**ACCESSORIES:**



Fci [ \ ] b \ ci gb [ ' @ V & \$ ) , &



@8 Xfj] Yf @ V & \$ \$ %