

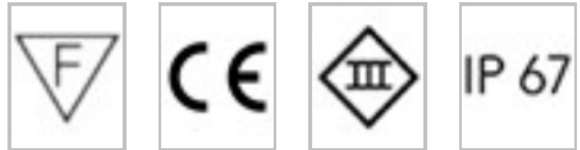


POINT 1R RD 32

LL1007.BAM T400EC40 20501.40.41	Frosted stainless steel
LL1007.BAM T400EC01 20501.01.41	White (matt)
LL1007.BAM T400EC19 20501.19.41	Silver grey (matt)
LL1007.BAM T400EC22 20501.22.41	Black (matt)
LL1007.BAM T400EC45 20501.45.41	Rust brown

GENERAL INFORMATION:

Installation Environment	Indoor
Type of fitting	Recessed ceiling, Recessed in-ground
Place of application	Path Lights, Ceiling

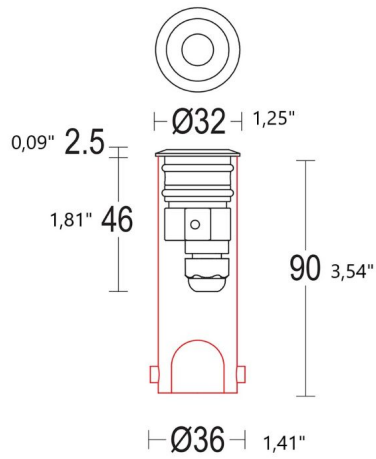


CONSTRUCTIVE & DIMENSIONAL:

Construction material	Stainless steel AISI 316L
Diameter	35mm(1,37")
Cutout shape	Round
Recessed depth	90mm(3,54")

ELECTRICAL:

Description	1 x 1.5W LED 4000K CRI>85 210 lm
Operating Power [V/mA]	500mA
Number of heads	1
Control gear	500 mA not included
Driver positioning	Remote
Control gear type	Electronic
Cord length [m]	0.5
Emergency kit	Not available



OPTICAL:

Beam type	Medium (21° - 40°)
Beam angle [°]	32°
Light distribution	Light distribution diffused
Beam directionability	Fixed
Diffuser material	Tempered glass
Diffuser finish	Opal

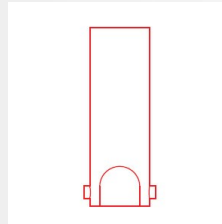
ACCESSORIES:



LED driver
Luc22008



IP 68 fast
connector
Luc22080



Rough-in housing
Luc20580

