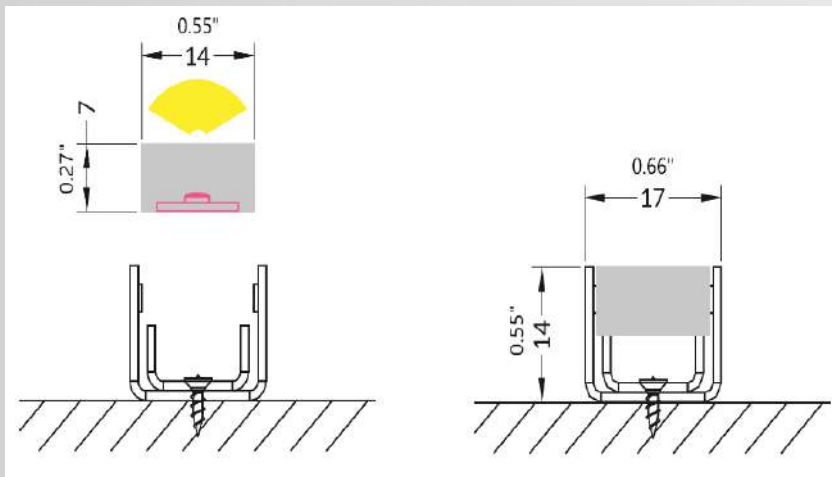




## LST mini Lines of light for Outdoor

Linear, silicone luminaire bendable on vertical axis with high-efficiency LED source for indoor/outdoor application. High-efficiency 24V LED circuit comprised of 240 LED/m, 3000K and CRI up to 90. Power consumption is 12.5W/m with lumen output of 670lm/m and energy efficiency of 65lm/W. IP68. Total weight 0,35kg/m. The luminaire comes wired and ready for installation. Accessories and remote 24V IP67 SELV II driver are included.



### TECH SPECIFICATIONS:

Voltage:	24 Vdc
Dimmable:	On request
Operating temperature:	min -20°C / max +50°C
Materials:	Extruded silicon
Length:	Custom
Glass dimension	14 x 17 mm / 0,55" x 0,67" 7 x 14 mm / 0,28" x 0,55"

PROFILE CODE:	CIRCUIT CODE:	POWER (Watt/ft):	LUMEN OUTPUT (lm/ft)	OPTIC	CRI:	COLOR T° (K):
PR-LSTM	12IP68CLEAR	3,8 W/ft	287	120°	> 90	3000 K
			335			4000 K
			360			5000K
PR-LSTM	12IP68FROST	3,8 W/ft	204	120°	> 90	3000 K
			235			4000 K
			253			5000K
PR-LSTM	12IP68RGB	3,8 W/ft	NA	120°	NA	RGB

### AVAILABLE ACCESSORIES:

