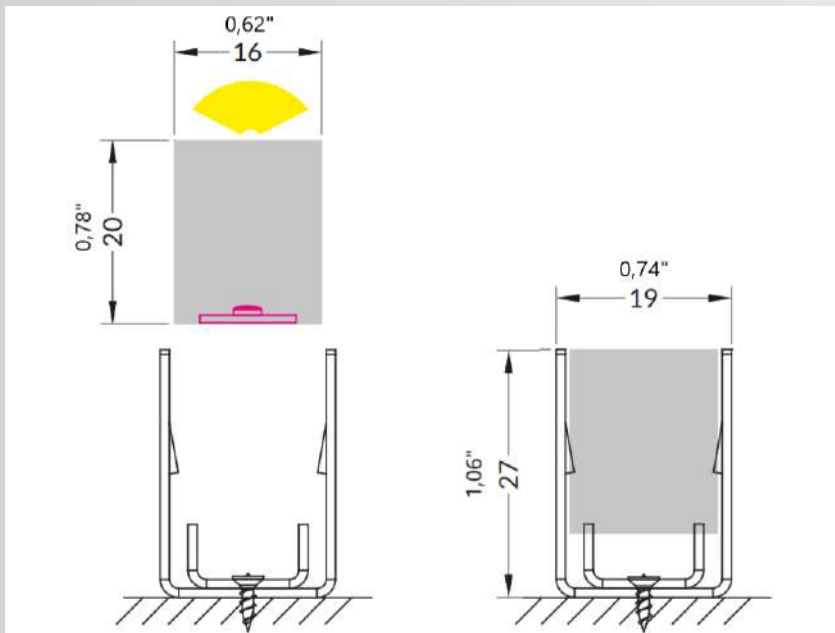




LST Lines of light for Outdoor

Linear, silicone luminaire bendable on vertical axis with high-efficiency 24V LED circuit comprised of 240 LED/m, 3000K and CRI up to 90 for indoor/outdoor application. Power consumption is 10W/m with lumen output of 630lm/m and energy efficiency of 63lm/W. IP68. Total weight 0,35kg/m. The luminaire comes wired and ready for installation. Accessories and remote 24V IP67 SELV II driver are included.



TECH SPECIFICATIONS:

Voltage:	24 Vdc
Dimmable:	On request
Operating temperature:	min -20°C / max +50°C
Materials:	Extruded silicon
Length:	Custom

PROFILE CODE:	CIRCUIT CODE:	POWER (Watt/ft):	LUMEN OUTPUT (lm/ft)	OPTIC	CRI:	COLOR T° (K):
PR-LST	10IP68CLEAR	3 W/ft	256	120°	> 90	3000 K
			274			4000 K
			293			5000K
PR-LST	10IP68FROST	3 W/ft	192	120°	> 90	3000 K
			213			4000 K
			232			5000K
PR-LST	10IP68RGB	3 W/ft	NA	120°	NA	RGB

AVAILABLE ACCESSORIES:

