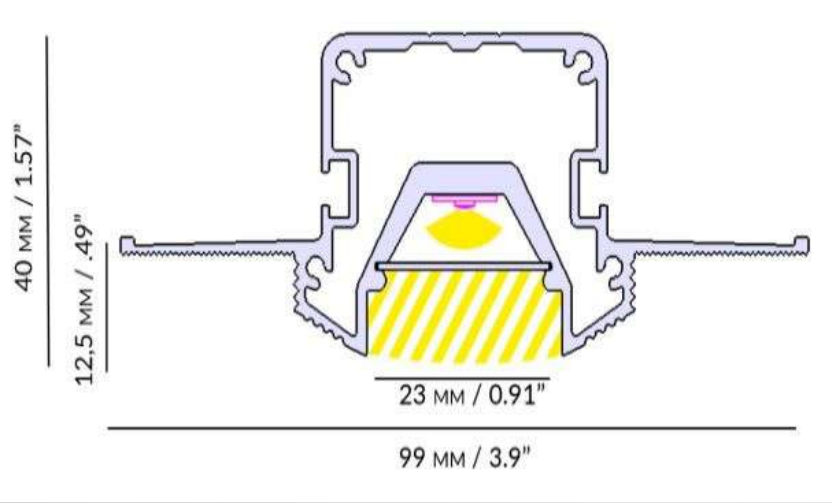




Hidden Recessed Lines of light for interiors / Recessed

Anodized aluminum luminaire with recessed screen and high-efficiency 24V LED circuit comprised of 120 LED/m, 3000K and CRI up to 90 for indoor, recessed flush-mount application. Power consumption is 19W/m with lumen output of 1800 lm/m and energy efficiency of 95lm/W. IP20. Total weight 1,31kg/m. The profile comes wired, assembled, and ready for installation. Accessories, mounting kit, and remote 24V IP67 SELV II driver are included.



TECH SPECIFICATIONS:

Voltage:	24 Vdc
Dimmable:	On request
Temperature of use:	min -20°C / max +50°C
Glass dimension:	99 x 40mm / 3,9" x 1,57"
Length:	Custom
Materials:	Anodized Aluminium ana polycarbonate

PROFILE CODE:	CIRCUIT CODE:	POWER (Watt/ft):	LUMEN OUTPUT (lm/ft)	OPTIC	CRI:	COLOR T°(K):
PR-HID REC	SOI120P	3 W/ft	230	120°	> 90	3000 K
			260			4000 K
			290			6000K
PR-HID REC	SOZ60P	4,3W/ft	396	120°	> 90	3000 K
			427			4000 K
			457			6000K
PR-HID REC	SOZPRGB	4,3W/ft	NA	120°	NA	RGB
PR-HID REC	SOE120P	5,8W/ft	550	120°	> 90	3000 K
			610			4000 K
			730			6000K
PR-HID REC	SOW126P	6,8W/ft	670	120°	> 90	3000 K
			730			4000 K
			793			6000K
PR-HID REC	Custom	/	/	/	/	/

AVAILABLE FINISH:

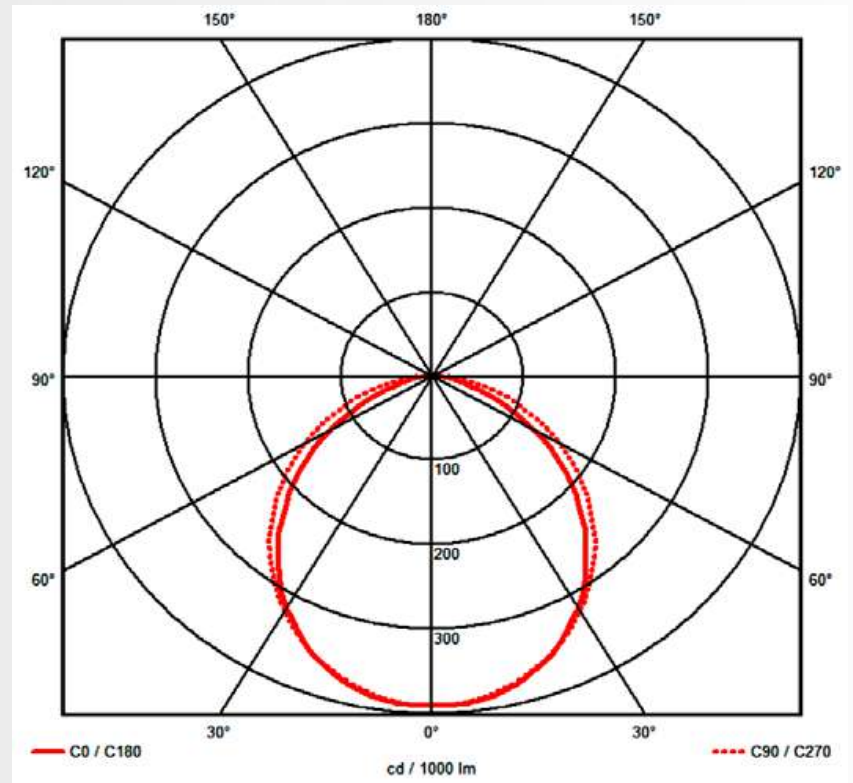
Body:





POSSIBLE CONFIGURATIONS:

PHOTOMETRIC DATA:



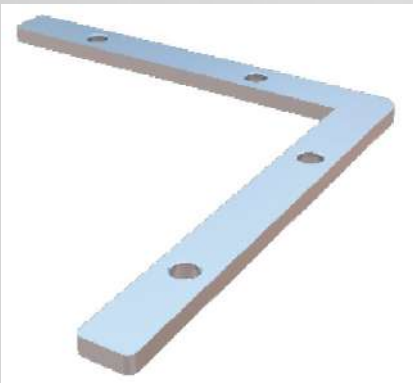
ACCESSORIES:



Code: AC.FIX.HI.STPE
"U" plate in galvanized sheet for fixing with profile hanger



Code: AC.FIX.HI.LIL
Linear fixing plate for continuous row in galvanized sheet



Code: AC.FIX.HI.AN90
90 ° vertical angle fixing plate in galvanized sheet



Code: TA.HI.SE
End cap in anodized aluminum



Code: AC.FIX.HI.ANPL
Planar 90 ° angle fixing plate in galvanized sheet