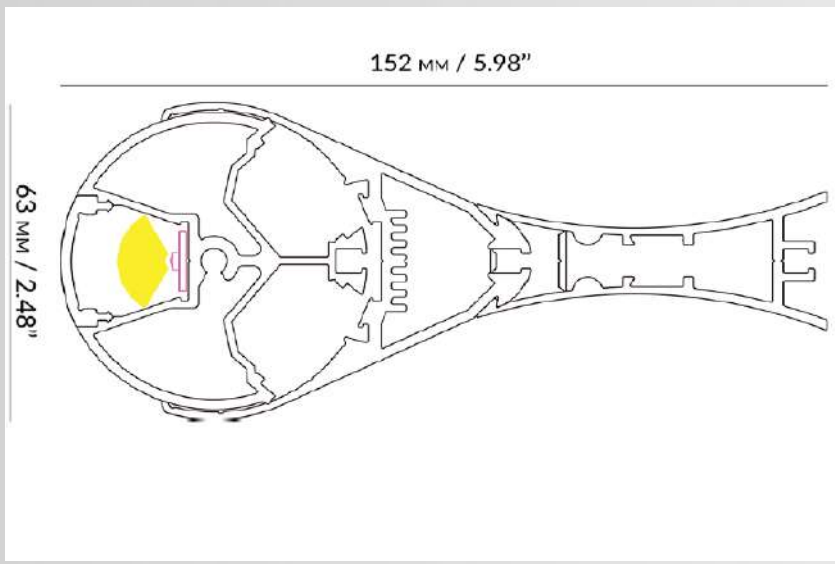




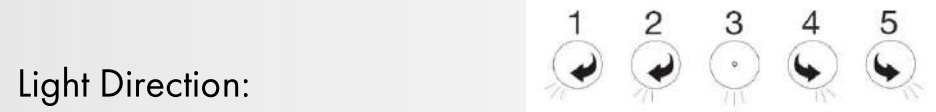
DM1 S
Ceiling Suspension

Linear and orientable anodized aluminium luminaire for indoor suspension mount. High-efficiency 24V LED circuit comprised of 120 LED/m, 3000K and CRI up to 90. Power consumption is 19W/m with lumen output of 1800 lm/m and energy efficiency of 95lm/W. IP20. Total weight 0,85kg/m. The profile comes wired, assembled, and ready for installation. Accessories, suspension cables, and remote 24V IP67 SELV II driver are included.



TECH SPECIFICATIONS:

Materials: Polycarbonate and anodized aluminium
 Length: 900 / 1800 mm / Custom
 Dimension: 152 x 63 mm
 Dimmable: On request



PROFILE CODE:	CIRCUIT CODE:	POWER (Watt/ft):	LUMEN OUTPUT (lm/ft)	OPTIC	CRI:	COLOR T° (K):
PR-DM1S	SOI120P	3 W/ft	230	120°	> 90	3000 K
			260			4000 K
			290			6000K
PR-DM1S	SOZ60P	4,3W/ft	396	120°	> 90	3000 K
			427			4000 K
			457			6000K
PR-DM1S	SOZPRGB	4,3W/ft	NA	120°	NA	RGB
PR-DM1S	SOE120P	5,8W/ft	550	120°	> 90	3000 K
			610			4000 K
			730			6000 K
PR-DM1S	SOW126P	6,8W/ft	670	120°	> 90	3000 K
			730			4000 K
			793			6000 K
PR-DM1S	Custom	/	/	/	/	/



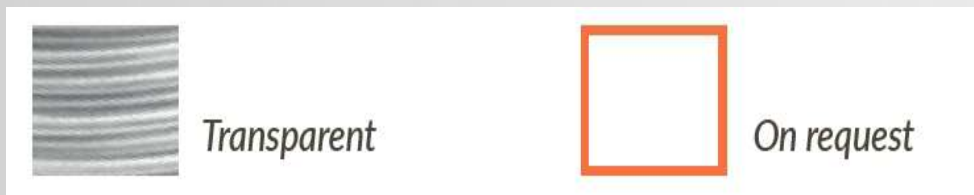


AVAILABLE FINISH:

Body:



Suspension Electric Cable:



AVAILABLE ACCESSORIES:



End Cap

FOTOMETRIC DATA:

