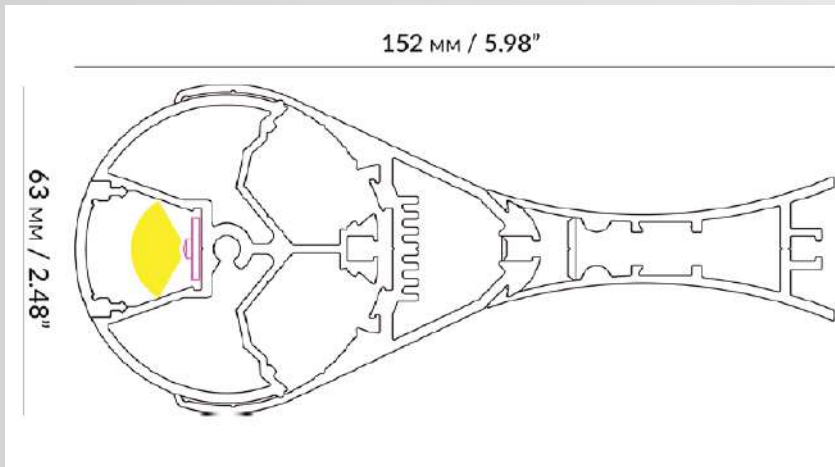





DM1 C Ceiling

Linear and orientable anodized aluminum luminaire for indoor ceiling mount with high-efficiency 24V LED circuit comprised of 120 LED/m, 3000K and CRI up to 90. Power consumption is 19W/m with lumen output of 1800 lm/m and energy efficiency of 95lm/W. IP20. Total weight 0,85kg/m. The profile comes wired, assembled, and ready for installation. Accessories and remote 24V IP67 SELV II driver are included.



TECH SPECIFICATIONS:

Materials: Polycarbonate and anodized aluminium
 Length: 900 / 1800 mm / Custom
 Dimension: 152 x 63 mm
 Dimmable: On request
 Light direction: 

PROFILE CODE:	CIRCUIT CODE:	POWER (Watt/ft):	LUMEN OUTPUT (lm/ft)	OPTIC	CRI:	COLOR T°(K):
PR-DM1C	SOI120P	3 W/ft	230	120°	> 90	3000 K
			260			4000 K
			290			6000K
PR-DM1C	SOZ60P	4,3W/ft	396	120°	> 90	3000 K
			427			4000 K
			457			6000K
PR-DM1C	SOZPRGB	4,3W/ft	NA	120°	NA	RGB
PR-DM1C	SOE120P	5,8W/ft	550	120°	> 90	3000 K
			610			4000 K
			730			6000K
PR-DM1C	SOW126P	6,8W/ft	670	120°	> 90	3000 K
			730			4000 K
			793			6000K
PR-DM1C	Custom	/	/	/	/	/

AVAILABLE FINISH:

Body:





AVAILABLE ACCESSORIES:



Accessories:
End Cap

PHOTOMETRIC DATA:

