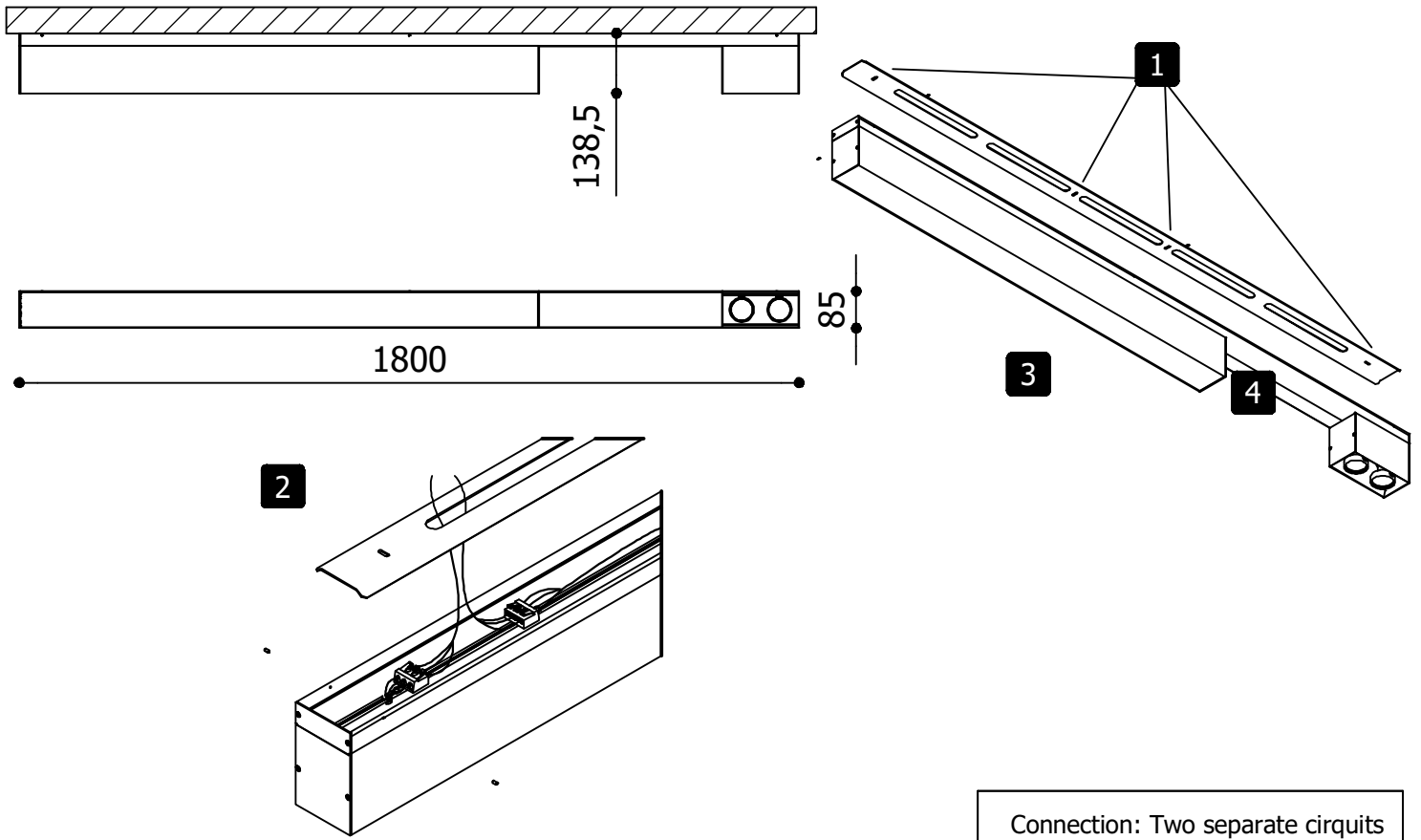
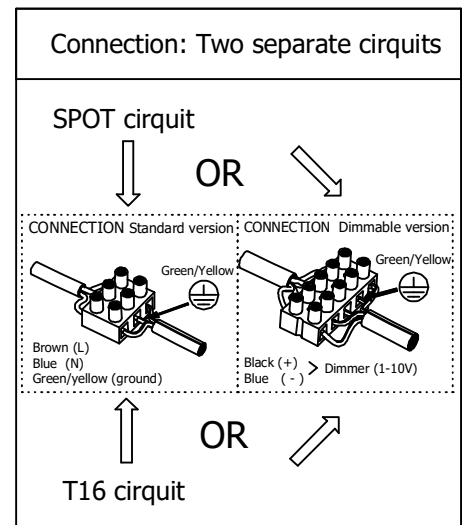


Assembly doctor for SPAZE



1. Mount the ceiling bracket with four screws onto the ceiling.
 2. Connect the power supply and close the ceiling base with the screws provided.
 3. Carefully remove the light diffuser plate.
 4. (Re)place the lamps, respect the wattage.
- Carefully re-attach the light diffuser plate.



Spotlight possibilities:

2x	LED	>85 CRI	350 mA	600 Lm	7.2 Watt	NO DIM	1 ... 10V	DALI	2700 K 3000 K	22° 34° 54°
2x	50 Watt	QPAR51	GU10							

Lamp possibilities:

2x	28 Watt	T16	NO DIM	G5						
2x	54 Watt	T16	NO DIM	1 ... 10V	DALI	G5				

BYIBA
BACKLIGHT

		CE	0.5m
IP 20	960 °C	110-277V	
	9 kg		