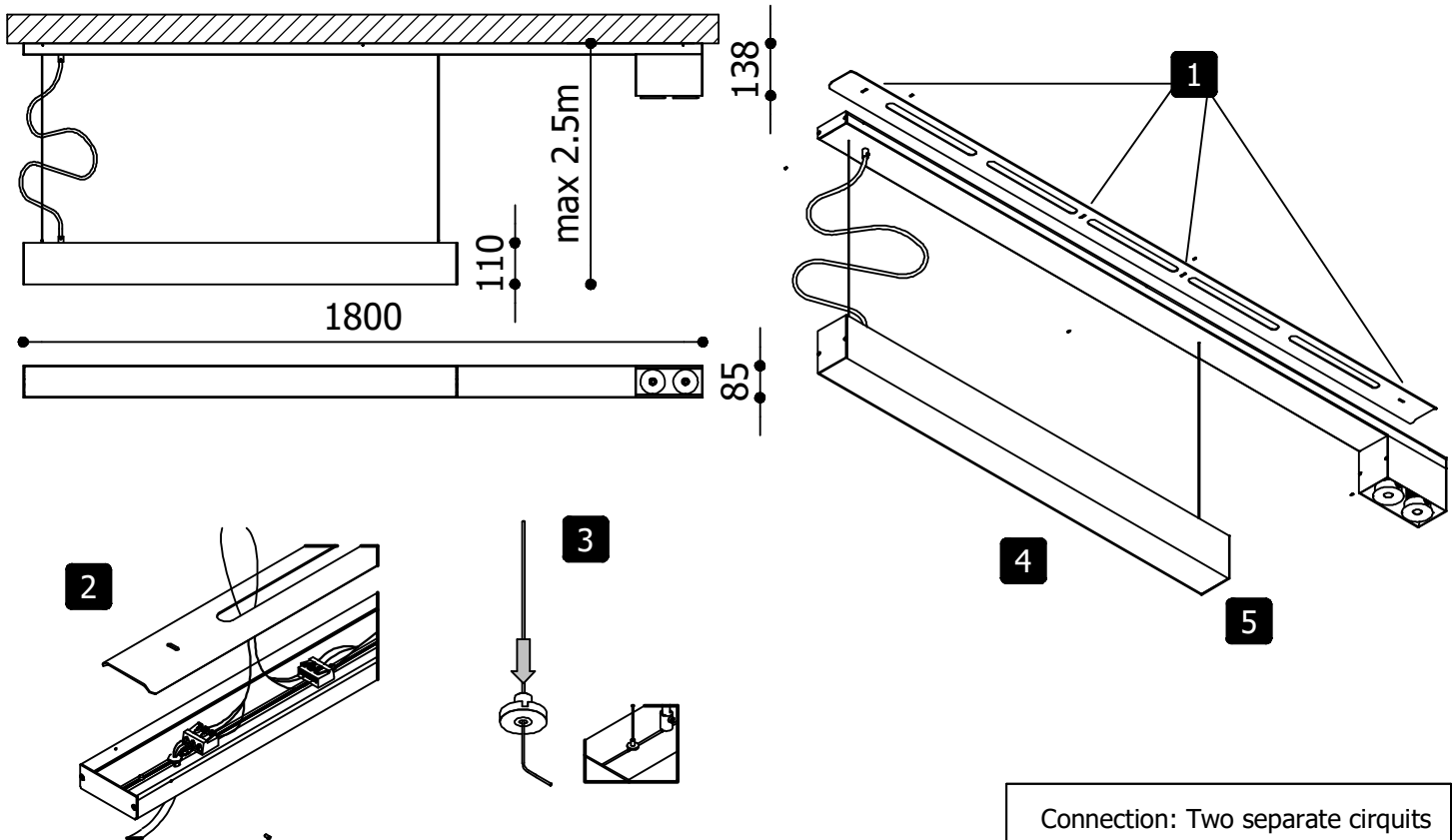
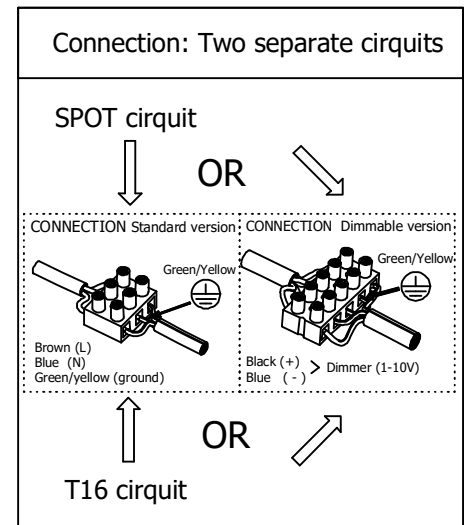


Assembly doctor for SPAZE S



1. Mount the ceiling bracket with four screws onto the ceiling.
2. Connect the power supply and close the ceiling base with the screws provided.
3. Adjust the module to the preferred height.
4. Carefully remove the light diffuser plate.
5. (Re)place the lamps, respect the wattage, carefully re-attach the light diffuser plate.



Spotlight possibilities:

2x LED	>85 CRI	350 mA	600 Lm	7.2 Watt	NO DIM	1 ... 10V	DALI	2700 K 3000 K	22° 34° 54°
--------	---------	--------	--------	----------	-------------------	-----------	------	------------------	-------------------

(LED) CIE flux codes: N1: 95 - N2: 100 - N3: 100 - N4: 100 - N5: 100

2x 50 Watt	QPAR51	GU10
------------	--------	------

Lamp possibilities:

2x 28 Watt	T16	NO DIM	G5				
2x 54 Watt	T16	NO DIM	1 ... 10V	DALI	G5		
1x LED	>80 CRI	1760 mA	7168 Lm	49.6 Watt	NO DIM	1 ... 10V	DALI

(LED) CIE flux codes: N1: 50 - N2: 81 - N3: 96 - N4: 100 - N5: 100

IP 20	
CE	0.5m
960 °C	110-277V
9 kg	

