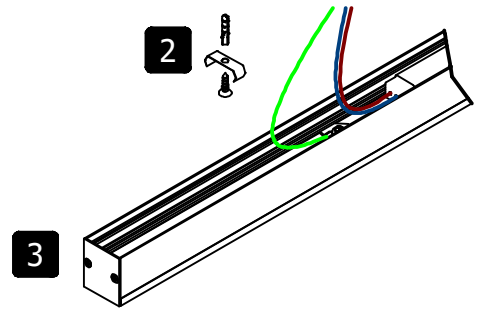
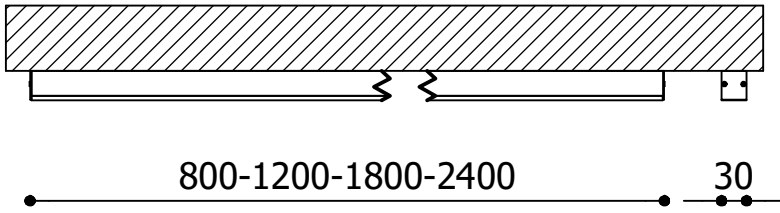


Assembly doctor for NINZA C, NINZA W



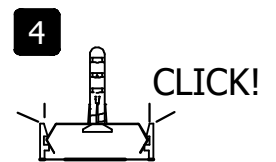
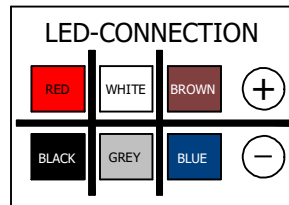
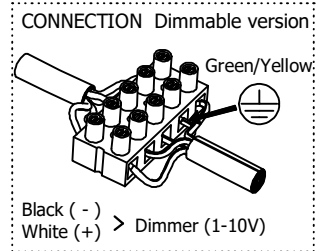
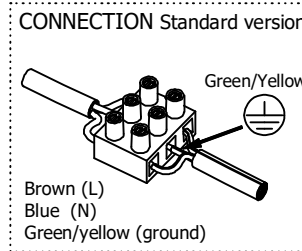
1 Mounting instructions

Measure distance before drilling mounting holes

Mind the location of the driver before drilling holes (driver inside only)

Surface smoothness types

At installers risk use fall protection



1. Check mounting instructions before drilling holes
2. Drill holes, use wall plug and mount the clip.
3. Connect the power supply.
4. Mount fixture to the clips.

IMPORTANT NOTICE

In all cases use enclosed handgloves to mount the fixture. Ensure the power cable is not connected to the power supply! Ensure the driver has not been powered for at least 1 minute before connecting to the LED-unit. Connect the LED side first, secondly the side of the mains.

5. Turn on the power.

Placing the powersupply on an electrical panel at distance:
SEE ATTACHED GRAPH

Lamp possibilities:

LED	9.6 W/m	2700 K 3000 K 4000 K			
LED	14.4 W/m	2700 K 3000 K 4000 K			
LED	28.8 W/m	2700 K 3000 K 4000 K			

BYIBA
BACKLIGHT

Assembly doctor for NINZA C & NINZA W

Cable Section by specific cable length and power/current.

POWER (Watt)	24	48	72	96	120	144	168	192	216	240	264	288	312	336	360	
CURRENT (A)	1	2	3	4	5	6	7	8	9	10	11	12	13	14	15	
Cable L (m)																
1	A	A	A	A	A	B	C	C	C	C	C	C	C	C	C	
2	A	A	A	A	A	C	C	C	C	C	C	C	C	C	C	
3	A	A	A	A	B	C	C	C	C	C	C	C	C	C	C	
4	A	A	A	B	C	C	C	C	C	C	C	C	C	C	C	
5	A	A	A	C	C	C	C	C	C	C	C	C	C	C	D	
6	A	A	B	C	C	C	C	C	C	C	C	C	D	D	D	
7	A	A	C	C	C	C	C	C	C	C	D	D	D	D	D	
8	A	B	C	C	C	C	C	C	C	D	D	D	D	D	E	
9	A	B	C	C	C	C	C	C	D	D	D	D	E	E	E	
10	A	C	C	C	C	C	C	D	D	D	D	E	E	E	E	
11	A	C	C	C	C	C	D	D	D	D	E	E	E	E	E	
12	A	C	C	C	C	C	D	D	E	E	E	E	E	E	E	
13	B	C	C	C	C	C	D	D	E	E	E	E	E	E		
14	B	C	C	C	C	D	D	D	E	E	E	E	E			
15	B	C	C	C	C	D	D	E	E	E	E	E				
16	B	C	C	C	C	D	D	E	E	E	E					
17	C	C	C	C	D	D	E	E	E	E						
18	C	C	C	C	D	D	E	E	E	E						
19	C	C	C	D	D	D	E	E	E							
20	C	C	C	D	D	E	E	E	E	Cable Section Codex						
21	C	C	C	D	D	E	E	E		A	Cable Section 0,75mm ²					
22	C	C	C	D	D	E	E	E		B	Cable Section 1mm ²					
23	C	C	C	D	D	E	E	E		C	Cable Section 1,5mm ²					
24	C	C	C	D	E	E	E			D	Cable Section 2,5mm ²					
25	C	C	C	D	E	E	E			E	Cable Section 4mm ²					