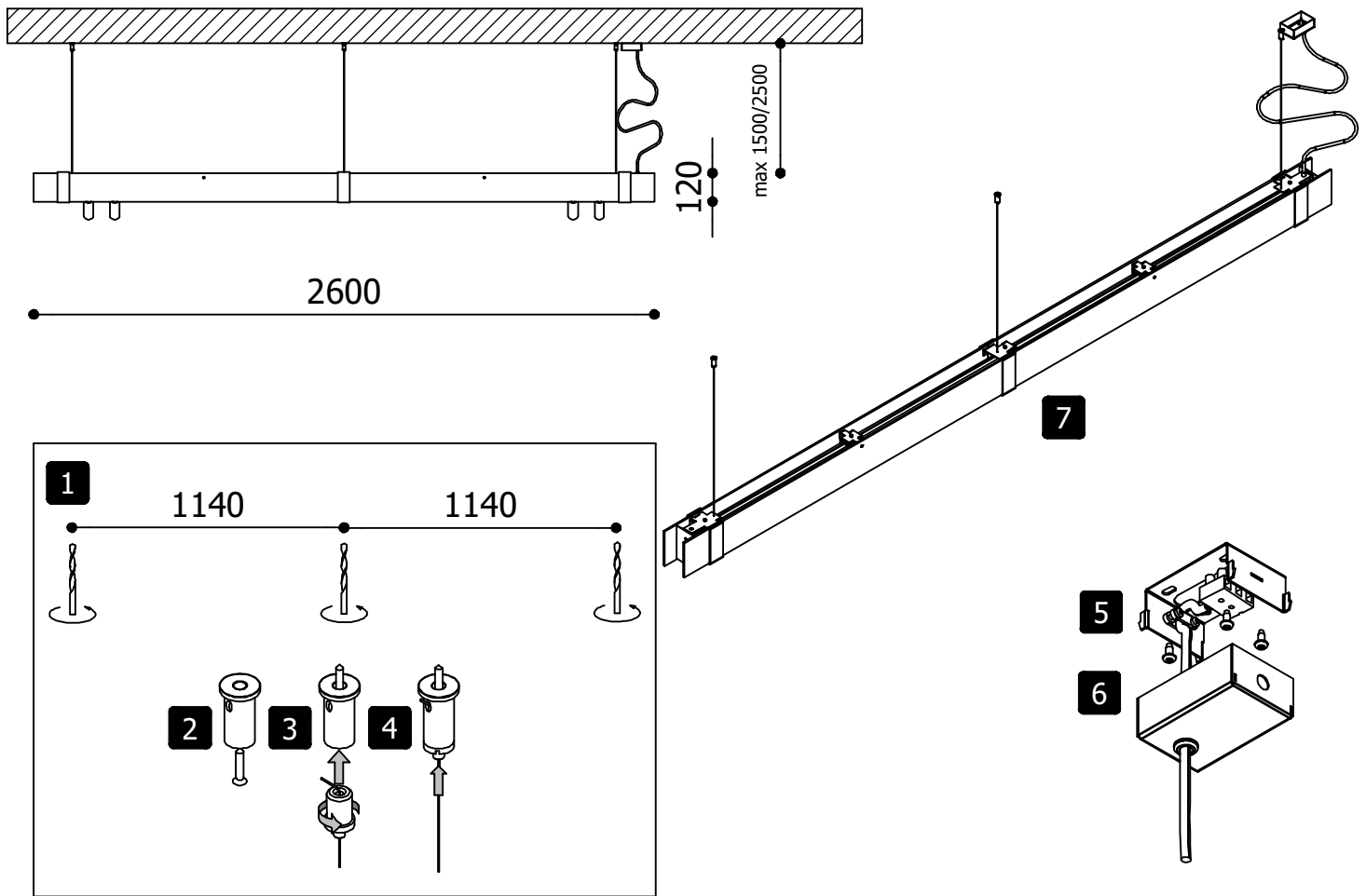
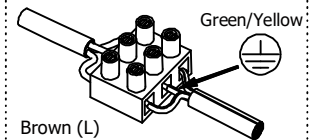


Assembly doctor for MR.BEAM 5 S



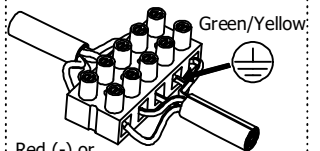
1. Drill two holes in the ceiling at the proper distance for the gripper.
2. Screw the gripper bodies onto the ceiling.
3. Turn the adjuster into the gripper bodies.
4. Lock the cables on the respected height.
5. Mount the ceiling bracket onto the ceiling.
6. Connect the power supply and close the ceiling base.
7. [excl. LED-version] (Re)place the lamp, respect wattage.

CONNECTION Standard version



Brown (L)
Blue (N)
Green/yellow (ground)

CONNECTION Dimmable version



Red (-) or
Black (-)
White (+) > Dimmer (1-10V)

Lamp possibilities:

2x	G5	T5 Seamless	28 Watt					
or								
2x	G5	T5 Seamless	54 Watt					
or								
	LED	>80 CRI	mA	Lm	17 Watt	2700 K 3000 K		
4x	LED	>85 CRI	350 mA	600 Lm	7.2 Watt	2700 K		

		650°C
		0.3m
		16 kg