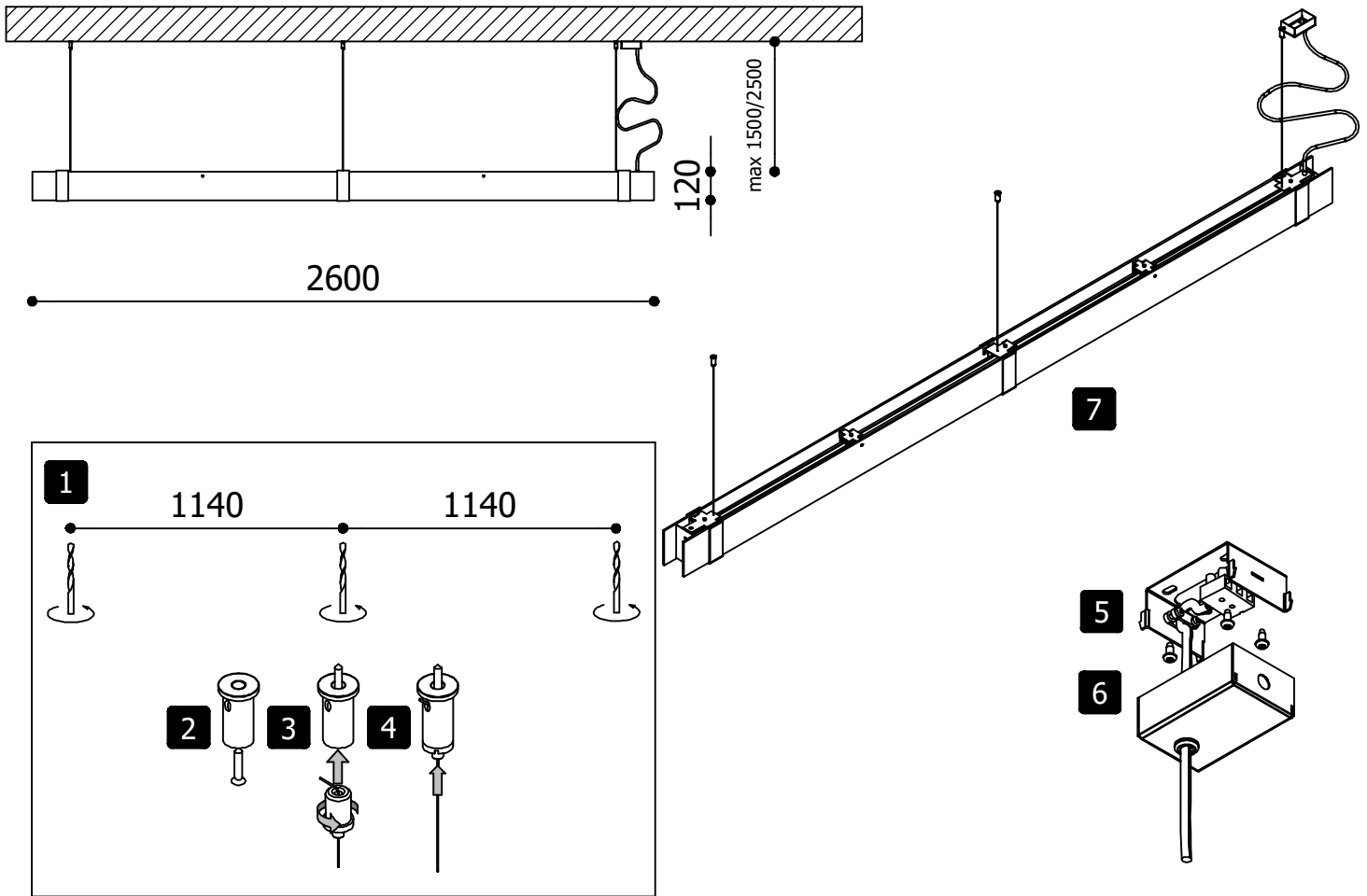
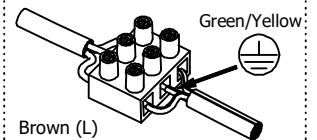


Assembly doctor for MR.BEAM 4 S



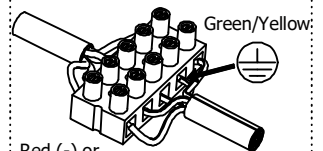
1. Drill two holes in the ceiling at the proper distance for the gripper.
2. Screw the gripper bodies onto the ceiling.
3. Turn the adjuster into the gripper bodies.
4. Lock the cables on the respected height.
5. Mount the ceiling bracket onto the ceiling.
6. Connect the power supply and close the ceiling base.
7. [excl. LED-version] (Re)place the lamp, respect wattage.

CONNECTION Standard version



Brown (L)
Blue (N)
Green/yellow (ground)

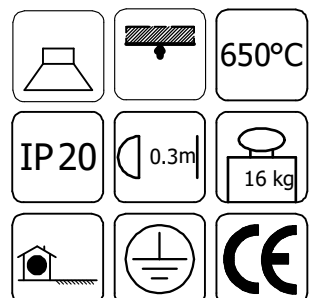
CONNECTION Dimmable version



Red (-) or
Black (-)
White (+) > Dimmer (1-10V)

Lamp possibilities:

2x	G5	T5 Seamless	28 Watt	NO DIM	DALI
or					
2x	G5	T5 Seamless	54 Watt	NO DIM	1 ... 10V
or					
	LED	>80 CRI	mA	Lm	34 Watt
					2700 K 3000 K
					NO DIM



BYIBA
BACKLIGHT