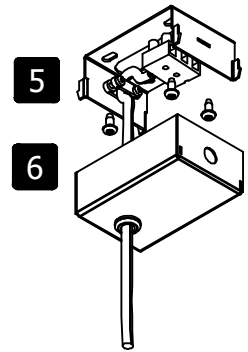
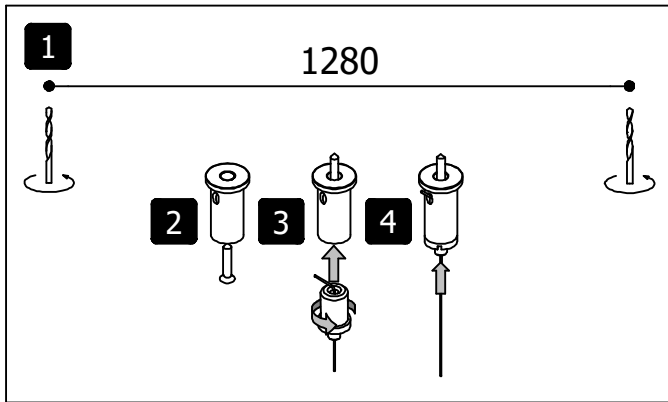
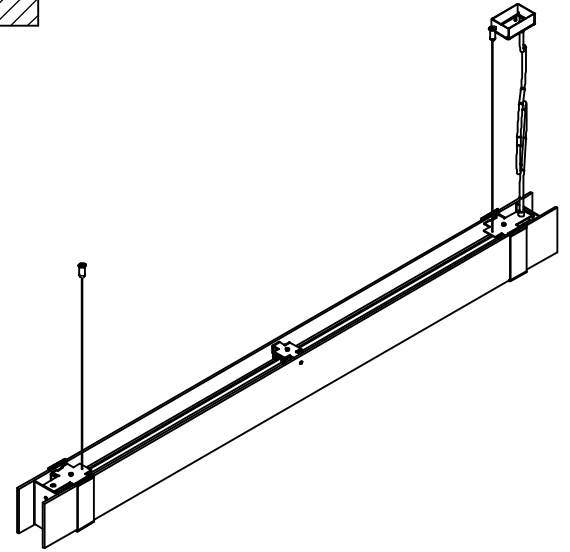
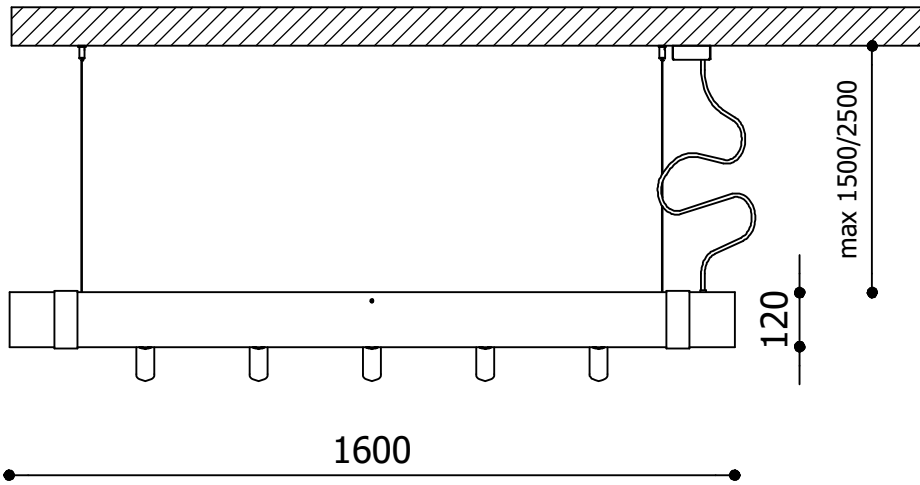
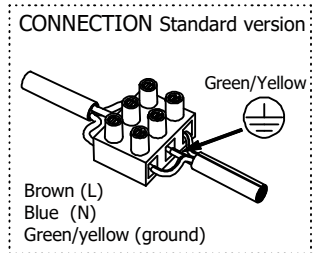


Assembly doctor for MR.BEAM 3 S



1. Drill two holes in the ceiling at the proper distance for the gripper.
2. Screw the gripper bodies onto the ceiling.
3. Turn the adjuster into the gripper bodies.
4. Lock the cables on the respected height.
5. Mount the ceiling bracket onto the ceiling.
6. Connect the power supply and close the ceiling base.



Lamp possibilities:



5x

LED

>85
CRI

350
mA

600
Lm

7.2
Watt

2700
K

