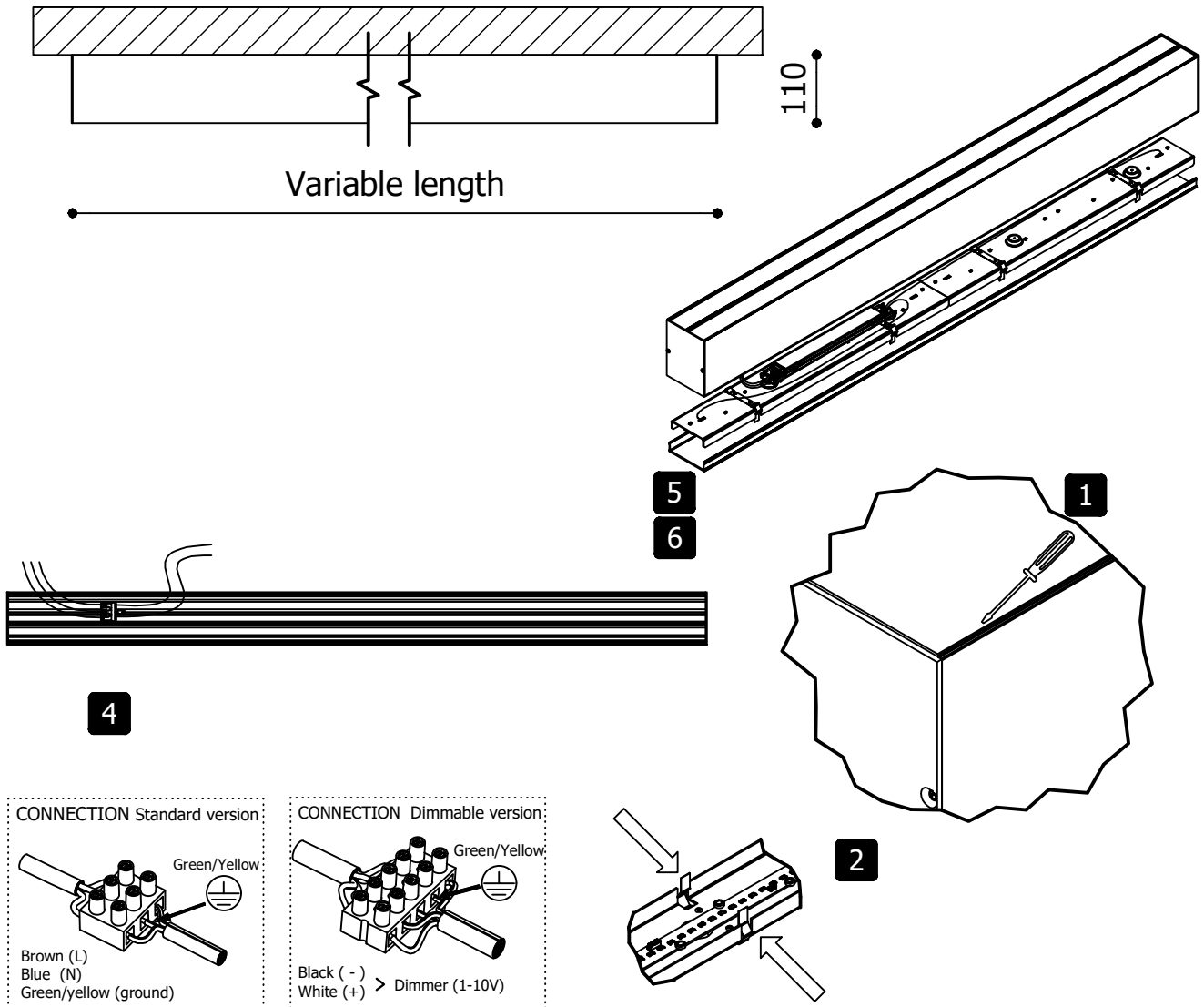


Assembly doctor for Metroline



1. Carefully remove the diffuser with a thin object.
2. Click out the led-module by pinching the clips together.
3. Mount profile to ceiling/wall.
4. Connect powercable. Makes sure power is switched off!
5. Click in led-module.
6. Place diffuser.
7. Carefully remove protective film.
8. Turn on the power.

BYIBA
BACKLIGHT

						INCL DRIVER		110-277 V		
						960°C				
LOW OUTPUT	LED	>80 CRI	1000/ft Lm	7.4/ft Watt	NON DIM	1 ... 10V	DALI	IP 20	0.3m	* kg
HIGH OUTPUT	LED	>80 CRI	2000/ft Lm	12.4/ft Watt	NON DIM	1 ... 10V	DALI			CE