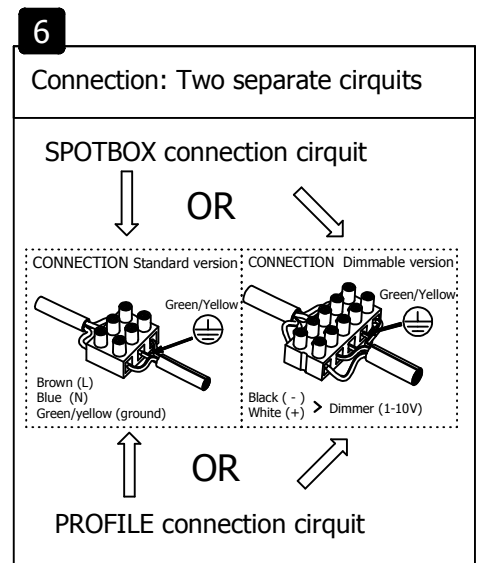
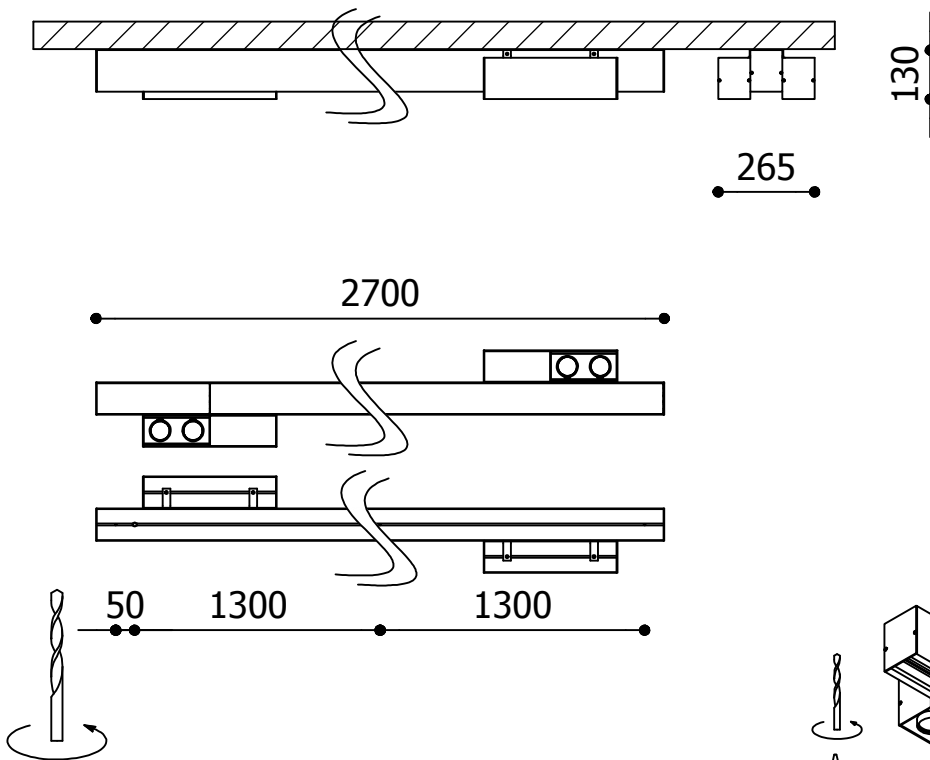
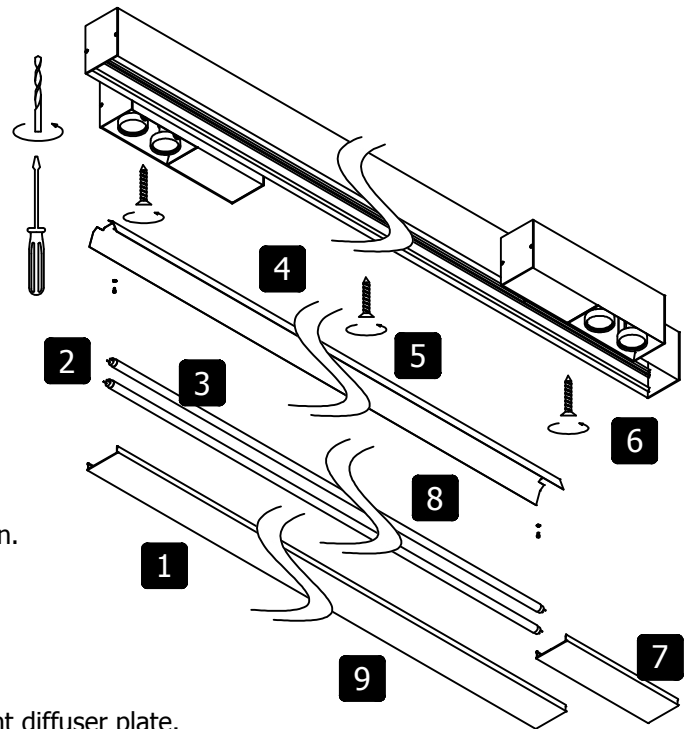


Assembly doctor for METROFFICE 3



- Carefully remove the light diffuser plate and the cover plate.
- Carefully remove the two pairs of fluorescent lamps.
- Unscrew two screws and remove the reflector plate.
- Bore 3 holes for the ceiling screws + 1 hole for power connection.
- Attach the fixture to the ceiling using three screws, make sure the powercord is put through the proper opening.
- Connect to power supply.
- Carefully re-attach the reflector plate using the two screws.
- (Re)place the lamps, respect the wattage.
- Carefully re-attach the coverplate (connect to earth) and the light diffuser plate.



Spotlight possibilities:

4x	LED	>85 CRI	350 mA	600 Lm	7.2 Watt	NO DIM	1 ... 10V	DALI	2700 K 3000 K	22° 34° 54°
4x	50 Watt	QPARS5	GU10							

Lamp possibilities:

4x	28 Watt	T16	NO DIM	G5						
4x	54 Watt	T16	NO DIM	1 ... 10V	DALI	G5				



		CE	0.5m
IP 20	960 °C	110-277V	
	16 kg		