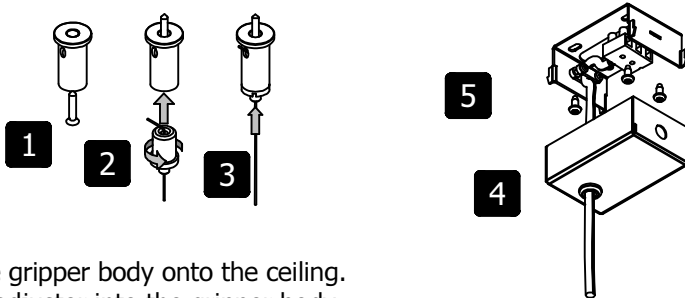
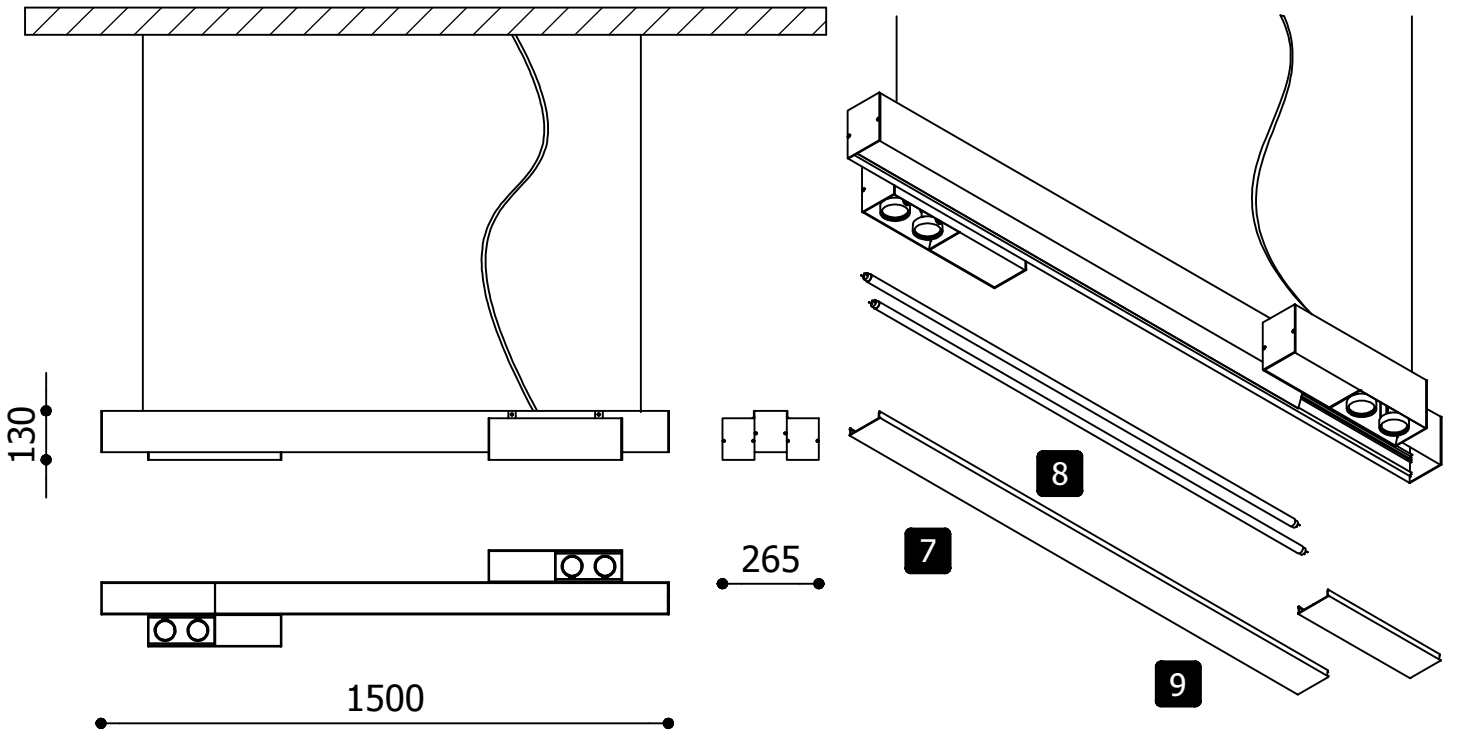
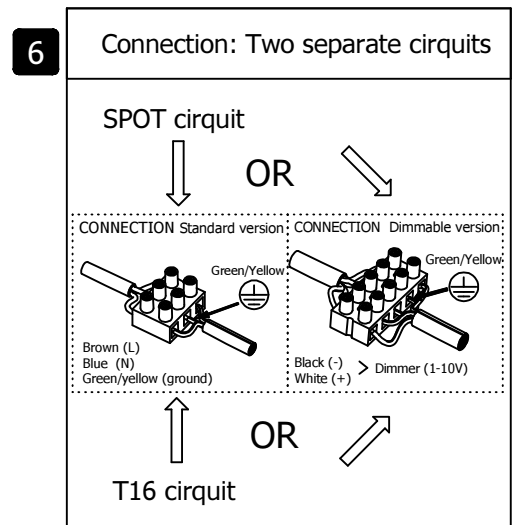


Assembly doctor for METROFFICE 2 S



1. Screw the gripper body onto the ceiling.
2. Turn the adjuster into the gripper body.
3. Lock the cables on the preferred height.
4. Mount the ceiling bracket with four screws onto the ceiling.
5. Adjust the fixture to the preferred height and fasten the strainrelief.



Spotlight possibilities:

4x	LED	>85 CRI	350 mA	600 Lm	7.2 Watt	NO DIM	1 ... 10V	DALI	2700 K 3000 K	22° 34° 54°
4x	50 Watt	QPAR51	GU10							

Lamp possibilities:

2x	28 Watt	T16	NO DIM	G5		
2x	54 Watt	T16	NO DIM	1 ... 10V	DALI	G5

BYIBA
BACKLIGHT

