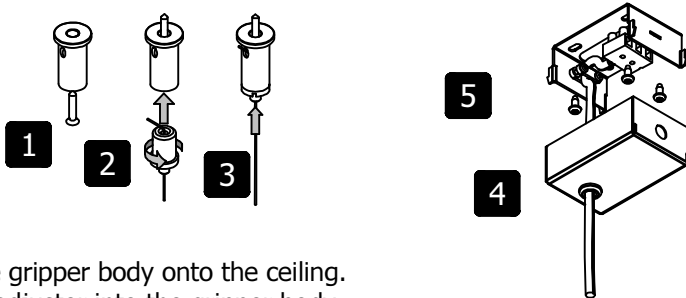
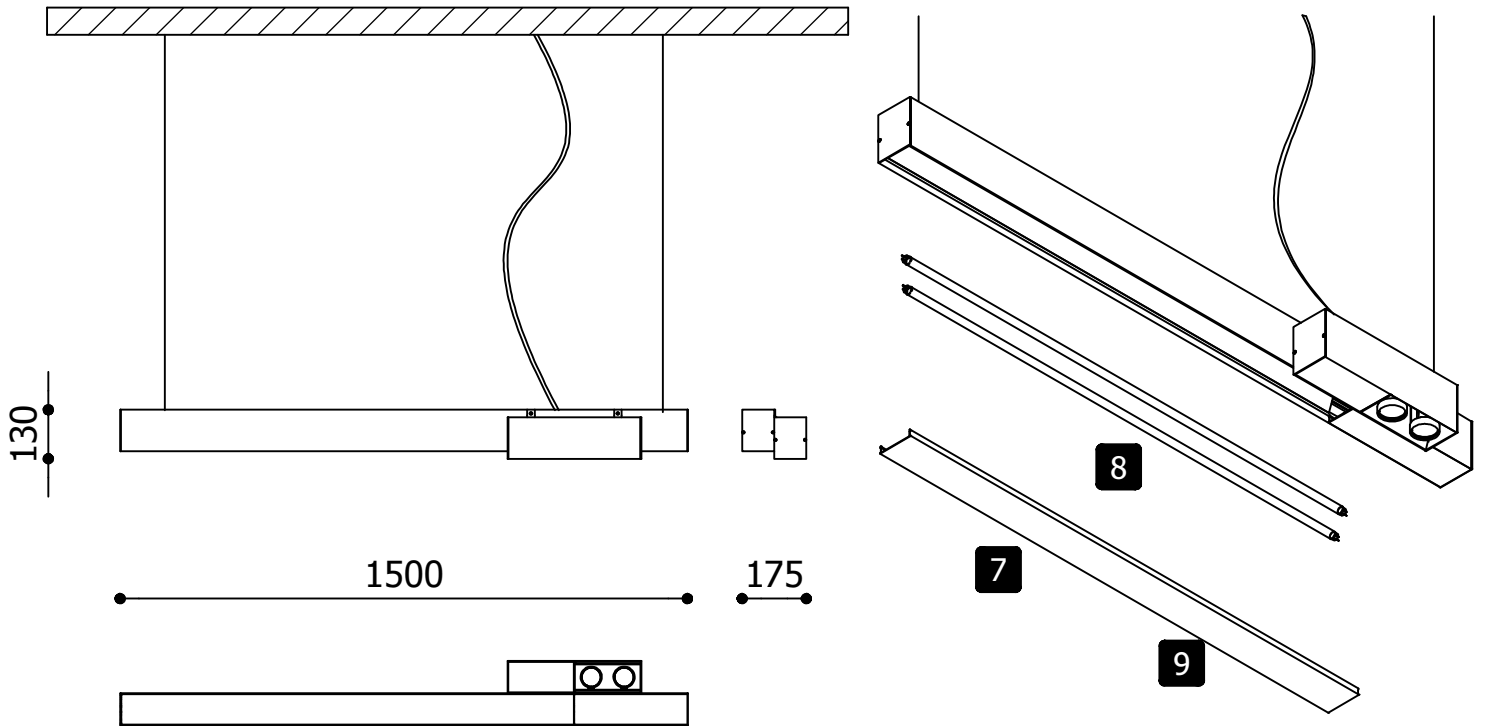
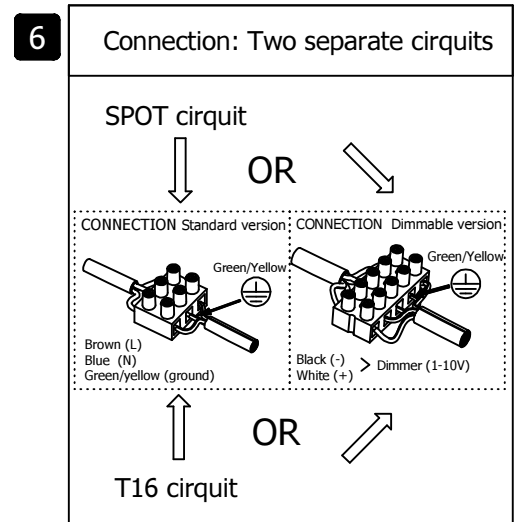


# Assembly doctor for METROFFICE 1 S



1. Screw the gripper body onto the ceiling.
2. Turn the adjuster into the gripper body.
3. Lock the cables on the preferred height.
4. Mount the ceiling bracket with four screws onto the ceiling.
5. Adjust the fixture to the preferred height and fasten the strainrelief.



## Spotlight possibilities:

2x	LED	>85 CRI	350 mA	600 Lm	7.2 Watt	<del>NO DIM</del>	1 ... 10V	DALI	2700 K 3000 K	22° 34° 54°
2x	50 Watt	QPAR51	GU10							

## Lamp possibilities:

2x	28 Watt	T16	<del>NO DIM</del>	G5		
2x	54 Watt	T16	<del>NO DIM</del>	1 ... 10V	DALI	G5

**BYIBA**  
BACKLIGHT

