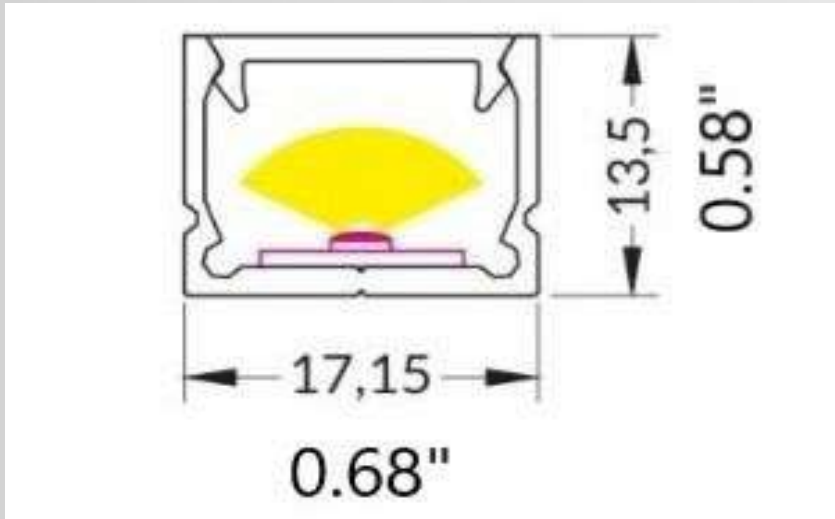




**A4R**  
**Lines of light for Outdoor/ Wall/Ceiling/Outdoor**

Linear, anodized aluminum luminaire with protective resin and high-efficiency LED source for outdoor application. High-efficiency 24V LED circuit comprised of 120 LED/m, 3000K and CRI up to 90. Power consumption is 14W/m with lumen output of 1300 lm/m and energy efficiency of 93lm/W. IP65. Total weight 0,28kg/m. The profile comes wired, assembled, and ready for installation. Accessories and remote 24V IP67 SELV II driver are included.



**TECH SPECIFICATIONS:**

Voltage:	24 Vdc
Dimmable:	On request
Operating temperature:	min -20°C / max +50°C
Glass dimension:	17,15 x 13,5 mm / 0,68" x 0,58"
Materials:	Aluminium and polycarbonate
Lenght:	Custom

PROFILE CODE:	CIRCUIT CODE:	POWER (Watt/ft):	LUMEN OUTPUT (lm/ft):	OPTIC	CRI:	COLOR T°(K):
PR-A4R	SOI120P	3 W/ft	230	120°	> 90	3000 K
			260			4000 K
			290			6000K
PR-A4R	SOZ60P	4,3W/ft	396	120°	> 90	3000 K
			427			4000 K
			457			6000K
PR-A4R	SOZPRGB	4,3W/ft	NA	120°	NA	RGB
PR-A4R	SOE120P	5,8W/ft	550	120°	> 90	3000 K
			610			4000 K
			730			6000 K
PR-A4R	Custom	/	/	/	/	/

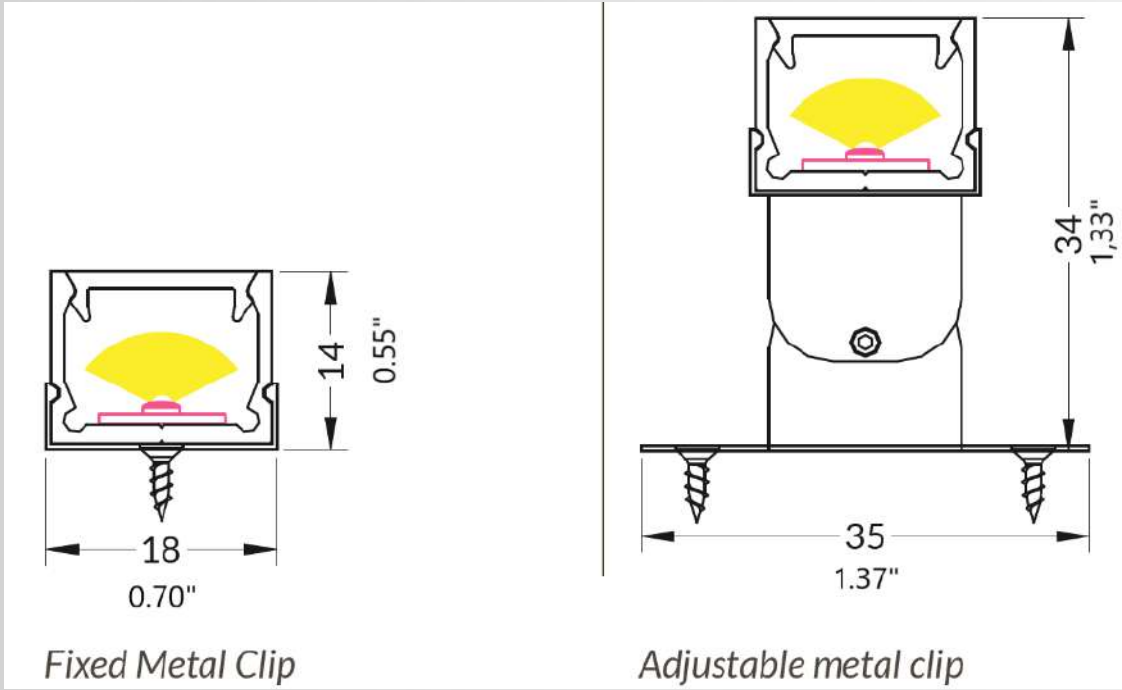
**AVAILABLE FINISH:**

Body:





**AVAILABLE ACCESSORIES:**



Fixed Metal Clip

Adjustable metal clip

**PHOTOMETRIC DATA:**

